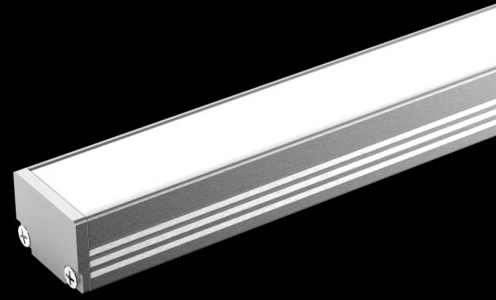


CAMPUS OPTICS

Profile with optic
Profil aluminium avec optique

A3960

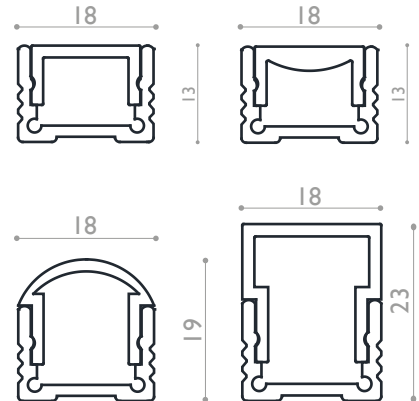


Puissance maxi Power max
24 w/m

Dimensions Dimensions
18 x 13 mm | 18 x 23 mm with High Optic

Longueur maximale Max.length
3000 mm

Température d'utilisation Ambient temp.
- 10°C / + 40°C



A3960.C9.F30.00.IP20.DALI

Type of led

Pure CRI99	A4199
UltraCRI	A4101
Dynamic White	A4102
Regular	A4109
RGB	A4106
RGB+W	A4107
RGB+2W	A4117
Ultra Efficiency 90	A4190
Ultra Efficiency 96	A4196

C99
CR
DW
C9
RGB
RGBW
RGB2W
UE90
UE96

Optics

Opal	OP
Frost	FR
Frost 15°	F15
Frost 30°	F30
Frost 60°	F60
High Opal	HO
Aluminium cover	AL

Finishes

Aluminium anodised silver	00
Aluminium anodised black	04
Painting RAL	RAL

IP Rating

IP20	IP20
IP54	IP54
IP65	IP65

Dimming

No dimming	HF
Dali	DALI
Dmx	DMX
Dimming 0/1-10V	D10



A3960.04



A3960.CLS
Clips Inox Strong



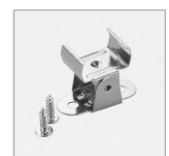
A3960.CLI
Clips Inox



A3960.CLI
Clips liaison



A3960.C45
Clips 45°



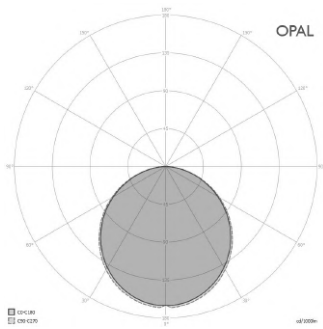
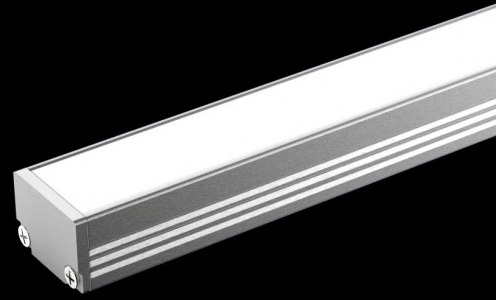
A3960.CLR
Clips Rotatif

CAMPUS OPTICS

Profile with optic
Profil aluminium avec optique

A3960

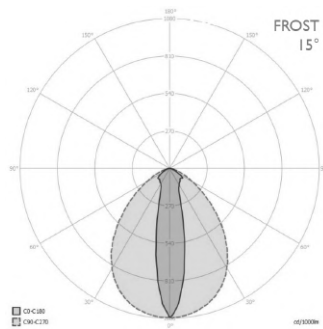
Get Dialux files on : www.atea.fr/3960.zip



Opal Optic



Opal Semi Circular Optic



Frost x° Optic



High Opal Optic

