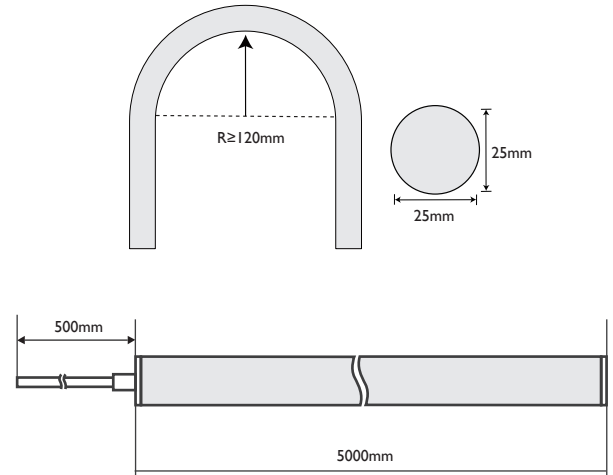


NEO 360 D25

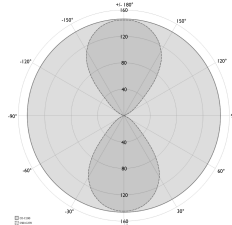
Flexible LED Light Tube, 360° output
Tube de lumière LED flexible, sortie à 360°
A4113.D25



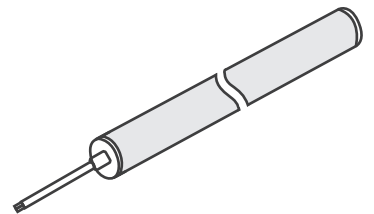
Temperature de couleur CCT 2300K 2700K 3000K 4000K DW 2300K - 4000K RGB R / G / B / Y	
Precision de couleur & IRC Color consistency & CRI OneBinOnly 82 / 92+	
Puissance lumineuse & Angle ouverture Luminous output & Beam angle (@4000K) 950 lm & 360°	
Puissance Power 16 w/m 20w/m (RGBX)	
Coupe Cutting Unit 12 mm (White) 31.25mm (DW) 50mm (RGB) 11 mm (RGBX)	
Dimensions & Rayon courbure mini Dimensions & min. bending radius 5000 x D25 mm R > 120 mm	
Indices de protection & normes Standards IP65 IK08 LM80 CE UL Listed Flame resistant - UV resistant - Solvent resistant - Saltwater resistant	
Tension alimentation & Classe isolation Input voltage & Class 24Vdc class III	
Température d'utilisation Ambient temperature - 20°C / + 40°C	



PHOTOMETRIC OF 1M STRIP



360° beam angle photometry of 1m



A4113.D25.930.IP65.DALI

CCT & luminous flux		
2300K	750 lm/m	823/923
2700K	950 lm/m	827/927
3000K	950 lm/m	830/930
4000K	950 lm/m	840/940
2300K/4000K	375+425 lm/m	DW
Red	620/630 nm	R
Green	525/530 nm	G
Blue	465/470 nm	B
Yellow	587/592 nm	Y
RGB	400 lm/m	RGB
RGB pixel	285 lm/m 90pxl/m	RGBX
IP Rating		
IP 65		IP65
Dimming		
No dimming		HF
Dali		DALI
Dmx		DMX
Dimming I to 10VDC		D10
Phase Dimming Digital		PHA



ATEA

