
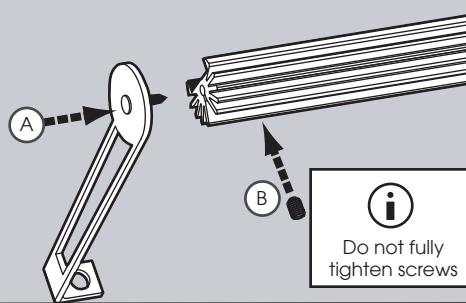

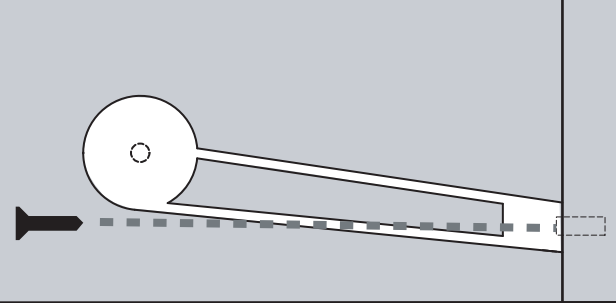


1  *TURN OFF MAINS POWER WHEN WIRING!*




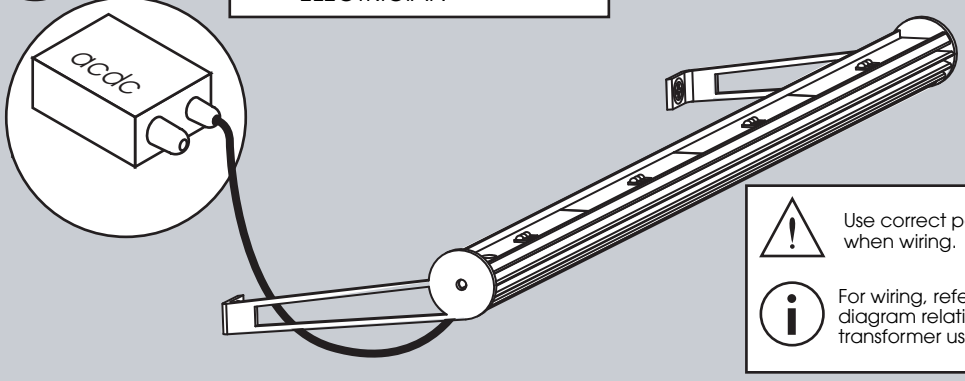
Attach bracket (A) by sliding into extrusion and inserting grub screw (B), tighten with Allen key.


2  Use suitable fixings from surface. Brackets can be mounted horizontally or vertically.




Mount fitting to wall, using suitable fixings. The brackets allow a screw to fit under, so they can be mounted fully assembled.

3  **WARNING - ONLY TO BE INSTALLED BY A QUALIFIED ELECTRICIAN**

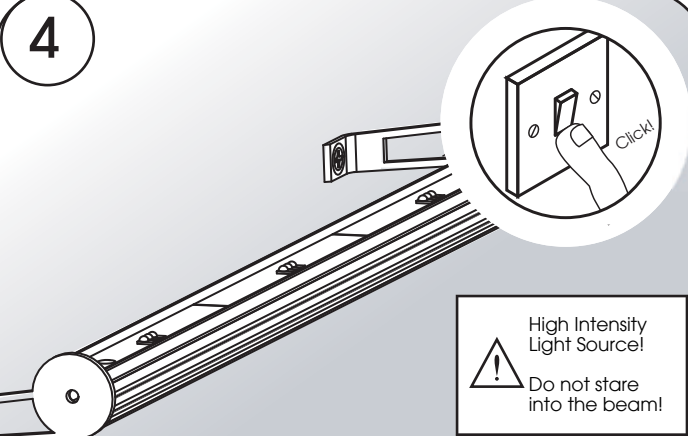


 Use correct polarity when wiring.

 For wiring, refer to wiring diagram relating to transformer used

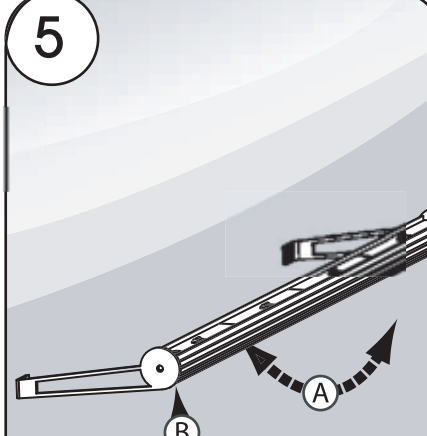
Connect the Fino to the correct driver dependant on its length and number of LEDs to be driven.

4



Power up Fino and check it illuminates. If it does not, check wiring and connections. Making sure power is off before doing so.

5



Angle body as required (A), then fully tighten screws using Allen key provided (B).

6 Installation complete. If you have any problems please contact **acdc**.

Problems? Call our installation helpline on +44 (0) 1282608400

acdc, Innovation Works, Gisburn Road, Barrowford, Lancashire, BB9 8NB
www.acdcighting.co.uk // sales@acdcighting.co.uk