


Problems? Call our Installation Helpline on +44 (0) 845 862 6400


1



TURN OFF MAINS POWER WHEN WIRING!

Drill hole in mounting surface

2

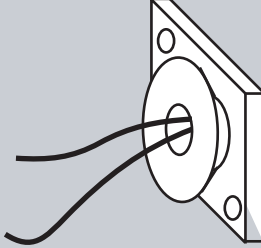


VAPOUR BARRIER MUST BE SUITABLE FOR 90°C

Feed supply wires through hole in mounting surface.

3

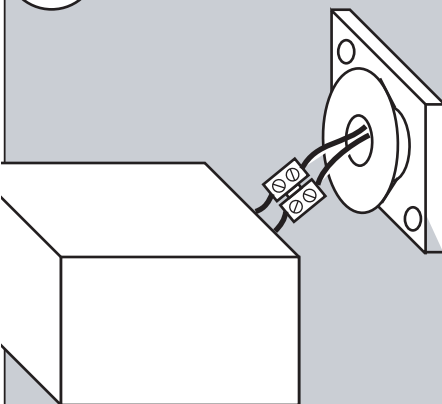
WARNING - ONLY TO BE INSTALLED BY A QUALIFIED ELECTRICIAN



Attach mounting plate to surface securely

4

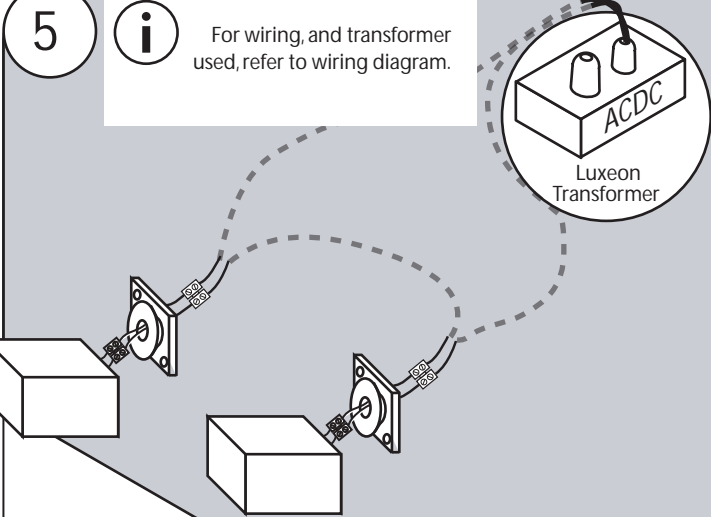
Use correct polarity when wiring



Wire into Mini 65.

5

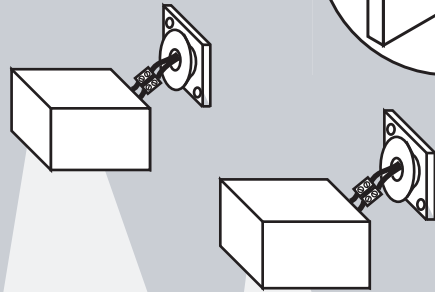
For wiring, and transformer used, refer to wiring diagram.



Complete wiring for all Mini 65.

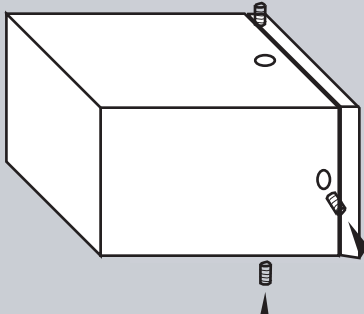
6

High Intensity Light Source! Do not stare into the beam!



Power Up mini 65 and check they illuminate. If they do not, check all wiring and connections.

7



Ensure front base is flush with wall.

Screw in 4 grub screws to secure unit, avoid trapping wires

ACDC Lighting Systems Ltd, Innovation Works, Gisburn Road, Barrowford, Lancashire, BB9 8NB

sales@acdclighting.co.uk

www.acdclighting.co.uk