
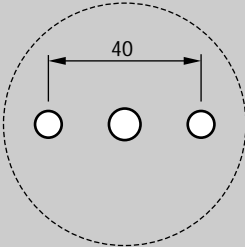


Problems? Call our Installation Helpline on +44 (0) 845 862 6400


1

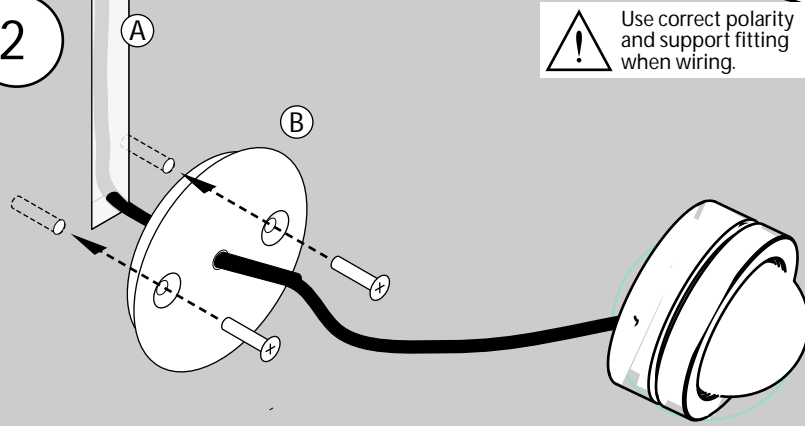
 Before starting, the mains supply must be off



Drill holes and insert rawl plugs/fixings.

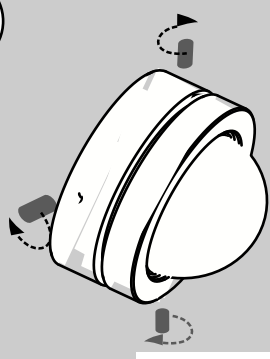
2


 Use correct polarity and support fitting when wiring.



Bring cable to Taurus (A), then mount bracket (B).

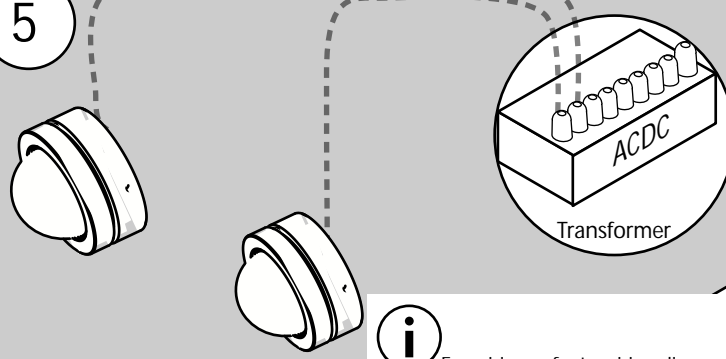
4




 Do not fully tighten screws.

Push Taurus onto bracket, then tighten grub screws.


5

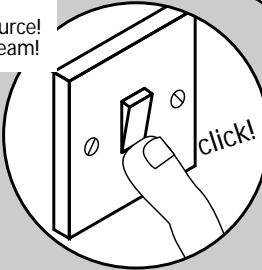
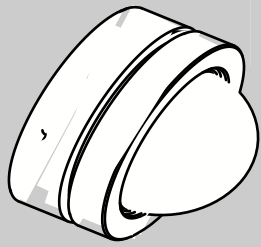


 For wiring, refer to wiring diagram relating to transformer used

Complete wiring for all Taurus.

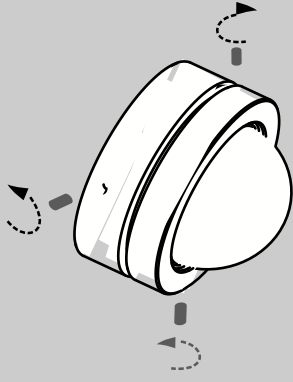
6

 High Intensity Light Source!  
Do not stare into the beam!

Power Up Taurus and check they illuminate. If they do not, check all wiring and connections.

7



Fully tighten grub screws.

8

Installation complete. If you have any problems please contact ACDC.

ACDC Lighting Systems Ltd, Innovation Works, Gisburn Road, Barrowford, Lancashire, BB9 8NB  
[www.acdcighting.co.uk](http://www.acdcighting.co.uk)  
[sales@acdcighting.co.uk](mailto:sales@acdcighting.co.uk)

Problems? Call our Installation Helpline on +44 (0) 845 862 6400

1

\*VAPOUR BARRIER MUST BE SUITABLE FOR 90°C\*

40

\*TURN OFF MAINS POWER WHEN

Drill holes and insert rawl plugs/fixings.

2

A B

Cable type must be RS Code 252-2114 or contact ACDC Sales

Bring cable to Taurus (A), then mount bracket (B).

3

Use correct polarity and support fitting when wiring.

Cable Length 15mm max.

WARNING - ONLY TO BE INSTALLED BY A QUALIFIED ELECTRICIAN

Wire in Taurus.

4

Do not fully tighten screws.

Push Taurus onto bracket, then tighten grub screws.

5

Transformer

Complete wiring for all Taurus.

6

High Intensity Light Source! Do not stare into the beam!

click!

Power Up Taurus and check they illuminate. If they do not, check all wiring and connections.

7

Fully tighten grub screws.

8

Installation complete. If you have any problems please contact ACDC.

ACDC Lighting Systems Ltd, Innovation Works, Gisburn Road, Barrowford, Lancashire, BB9 8NB

sales@acdclighting.co.uk

www.acdclighting.co.uk