

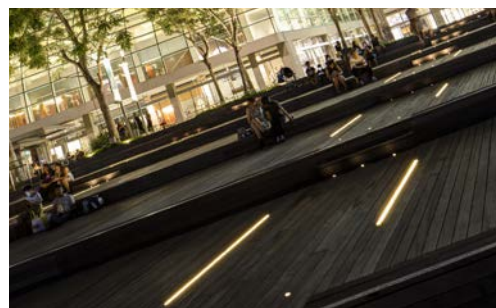
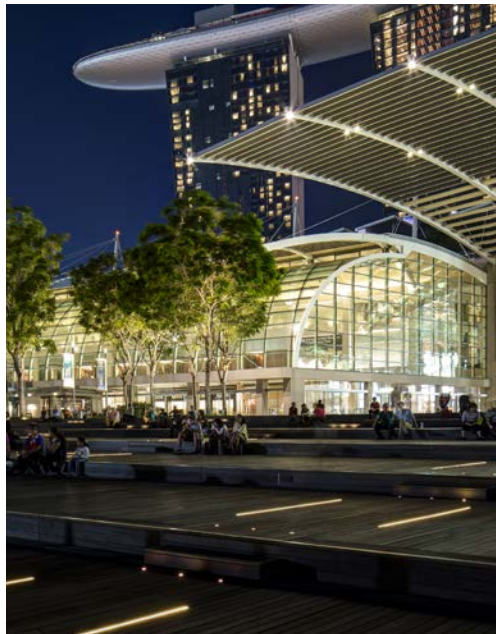


A compact, in-ground, linear LED marker light, ideal for delineation of façades or in-ground details. IP67

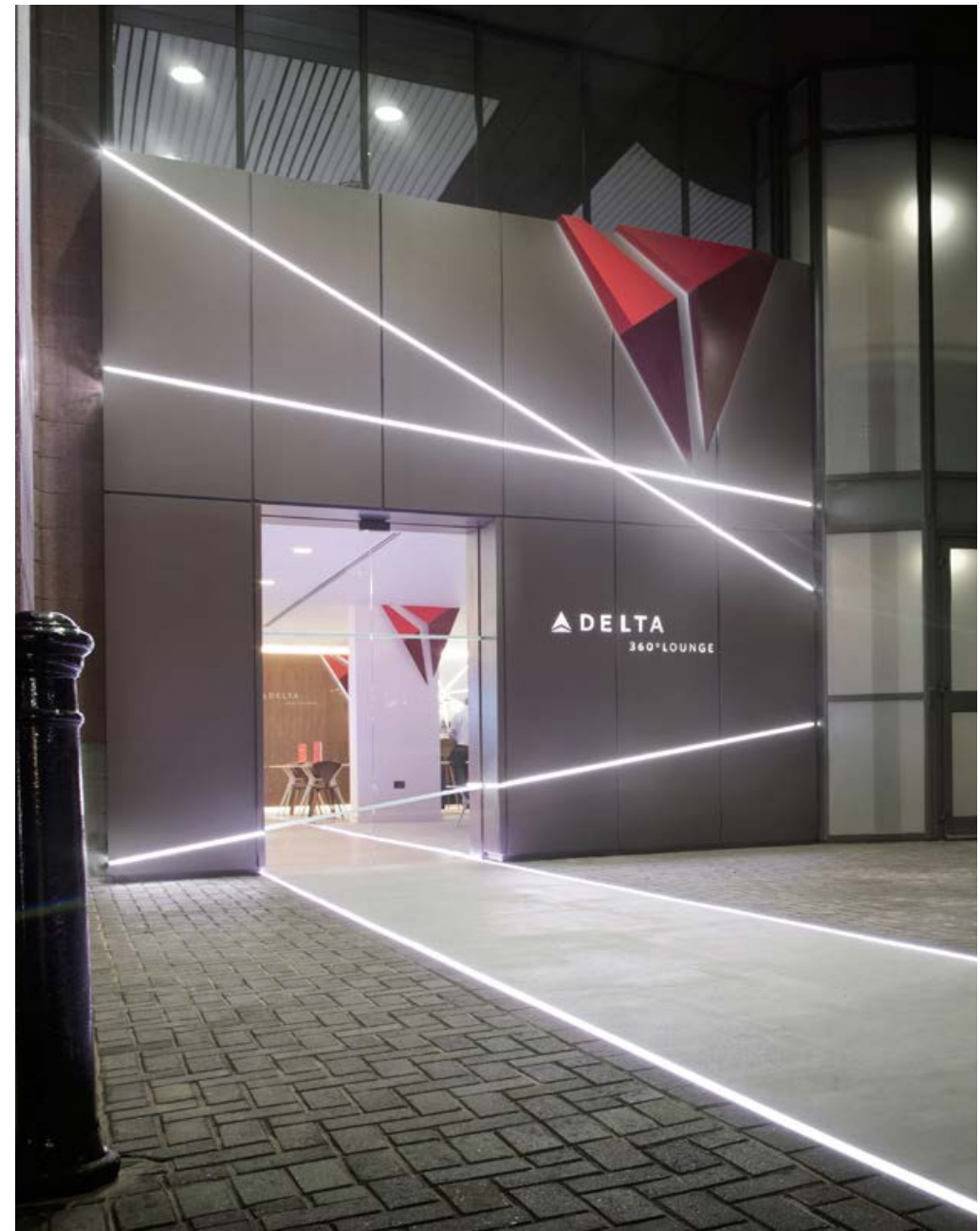
CONTENTS

Product overview	05
Application images	07
Detailed product performance	09
Product drawings and images	10
Specification codes	11
Installation instructions	13
Specification sheet	17
Contact details	18

APPLICATION IMAGES



Marina Bay Sands, Singapore. Lighting Design: Douglas Brennan, Project Lighting Design Singapore.
Distributor: CLA Singapore
acdc LED products: VISTA II (**acdc1092**)

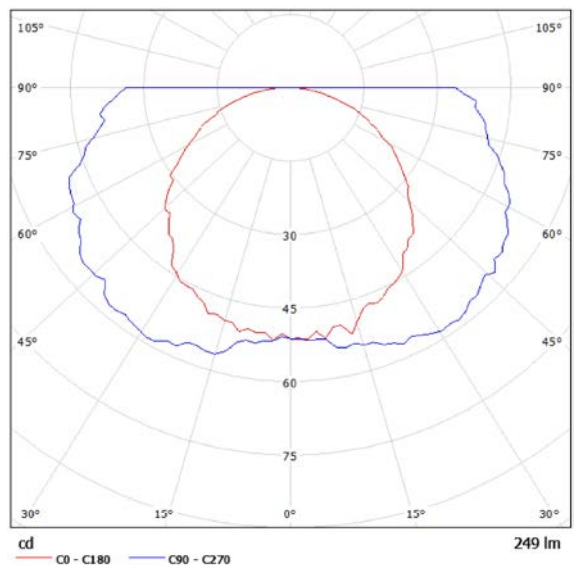


Delta Lounge, Chelsea FC, London, England. Lighting Design: SJT Associates.
acdc LED product: VISTA II (**acdc1092**)

PRODUCT PERFORMANCE



Vista II



Based on 1000mm at 3000°k



All **acdclighting** products are independently tested in line with LM80 standards, 50,000 hours lifetime with lumen maintenance at L70 to guarantee product performance.

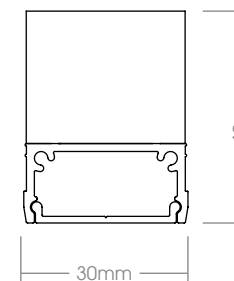
Output data figures stated are typical values.

To download photometric files please visit www.acdclighting.co.uk/led/VISTA

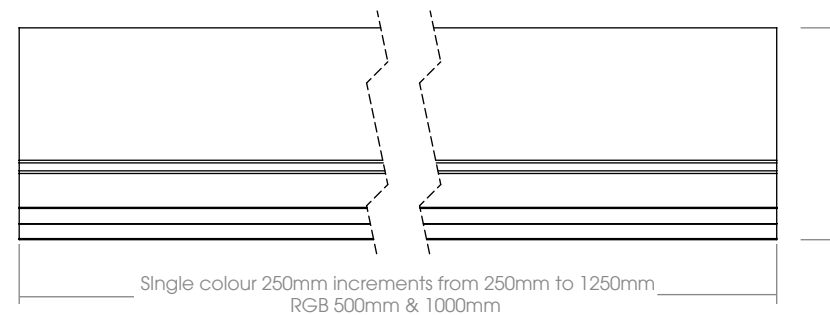
PRODUCT DRAWINGS & IMAGES



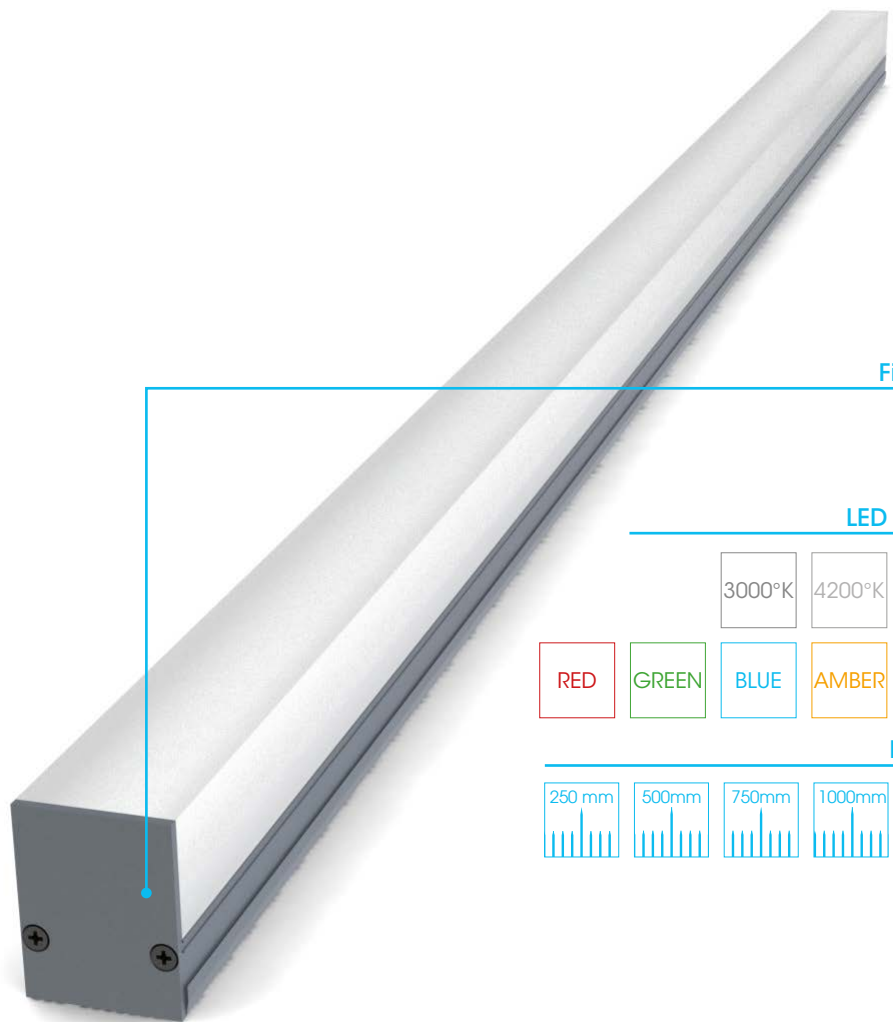
Vista II end



Vista II lengths



SPECIFICATION CODES



Finishes

Anodised Aluminium Silver

LED colour

3000°K 4200°K 6000°K

RED GREEN BLUE AMBER RGB

Length

250 mm 500mm 750mm 1000mm 1250mm

Order Code

Vista II, Anodised Aluminium Silver, RGB, Uncollimated, 1000mm

acdc1092/AAS/RGB/U/1000

Finishes

Anodised Aluminium Silver AAS

LED Colour

3000°K 30
 4200°K 42
 6000°K 60
 Red R
 Green G
 Blue B
 Amber A
 RGB RGB

Optics

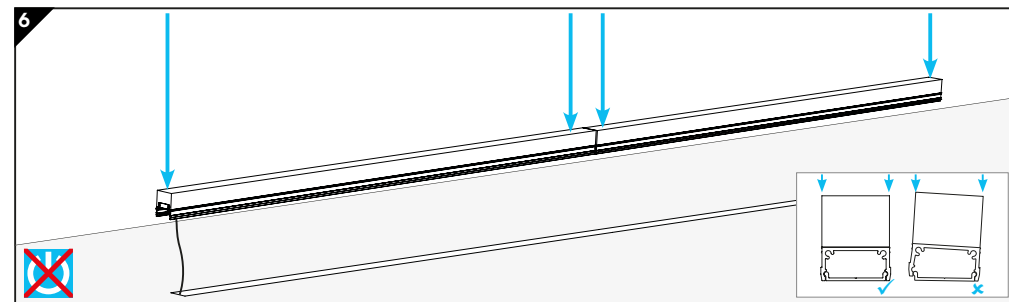
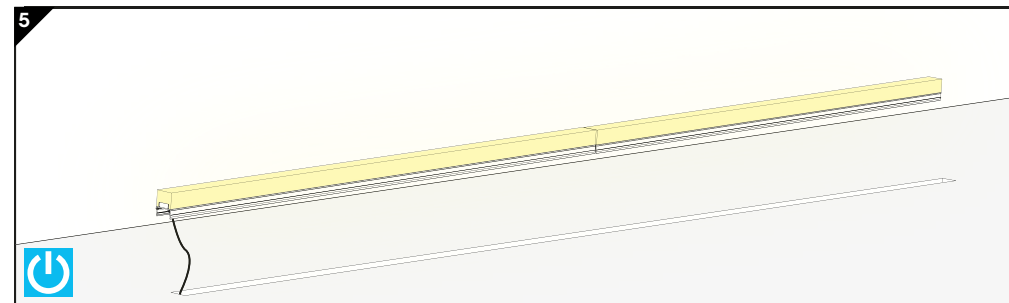
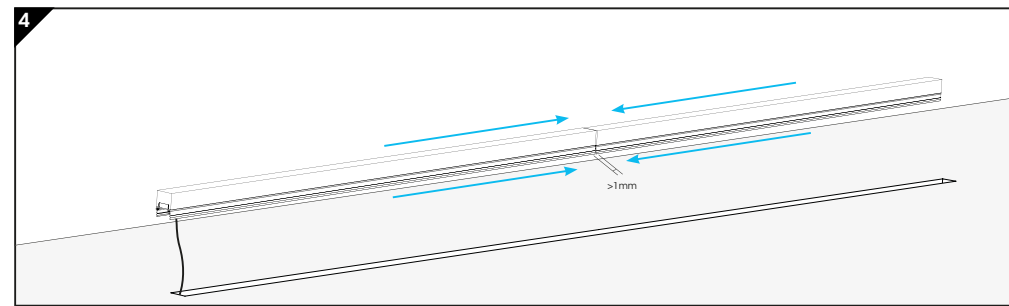
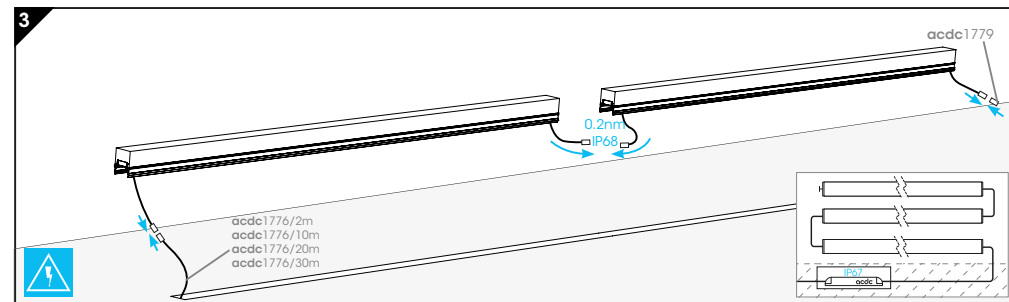
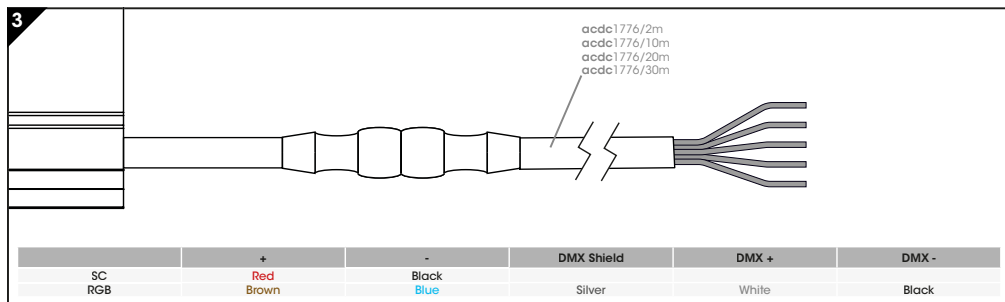
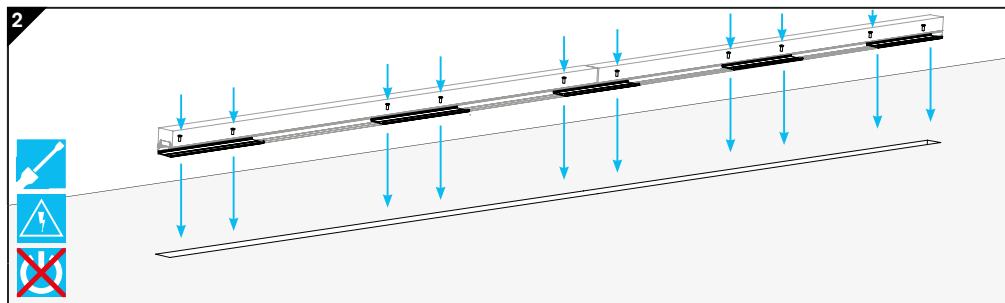
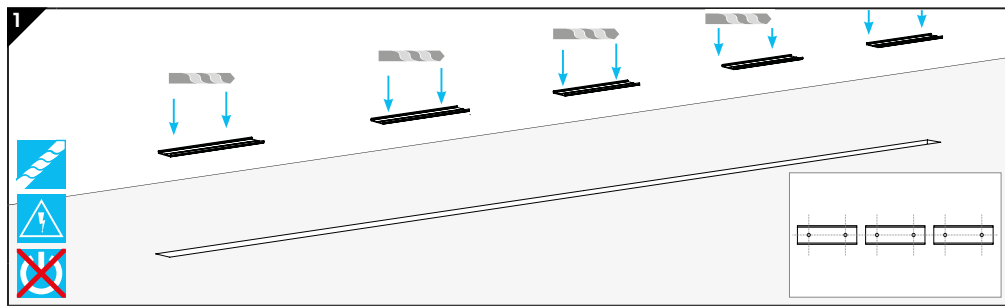
Uncollimated U

Length

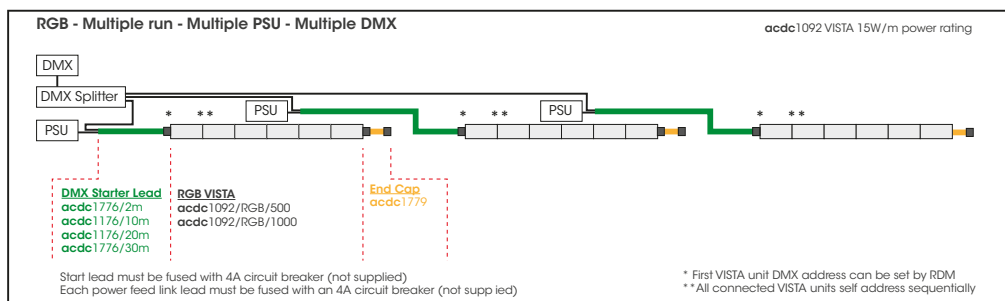
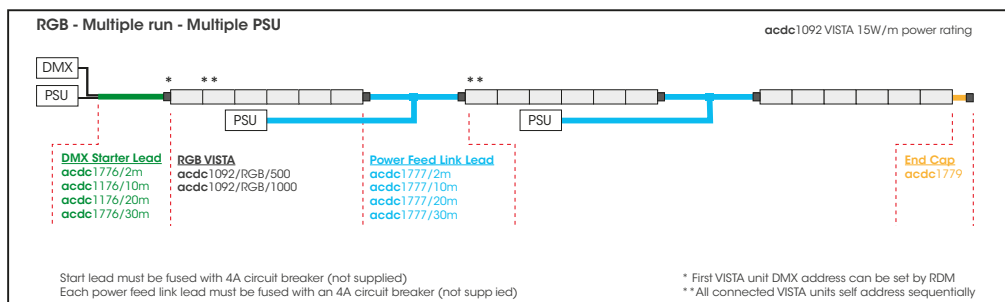
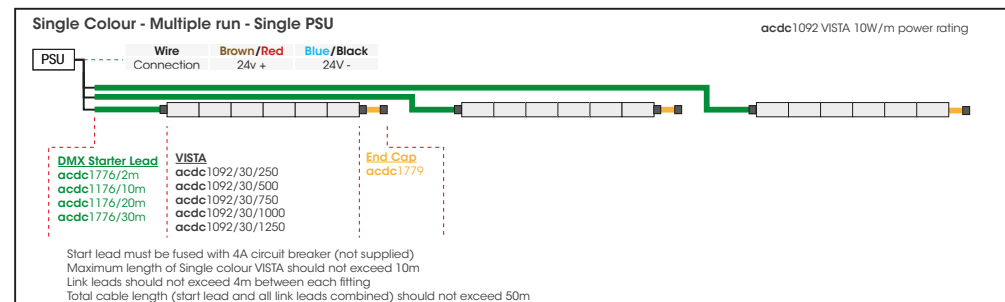
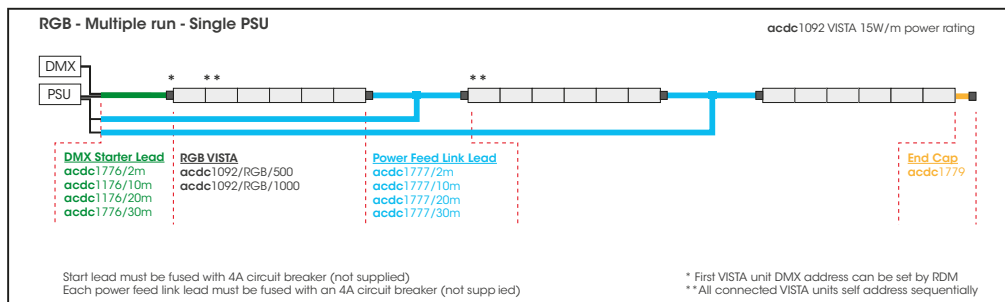
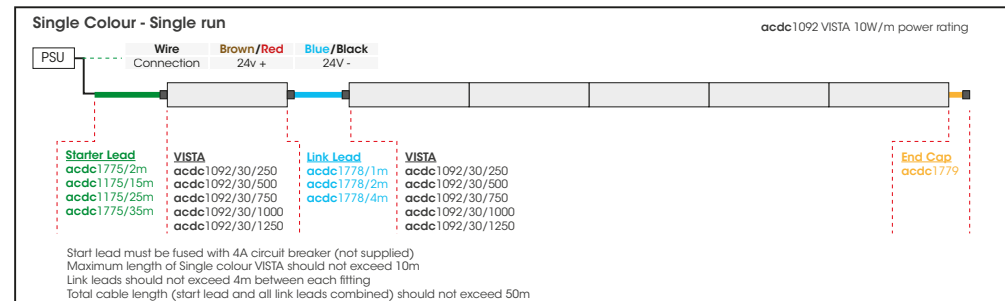
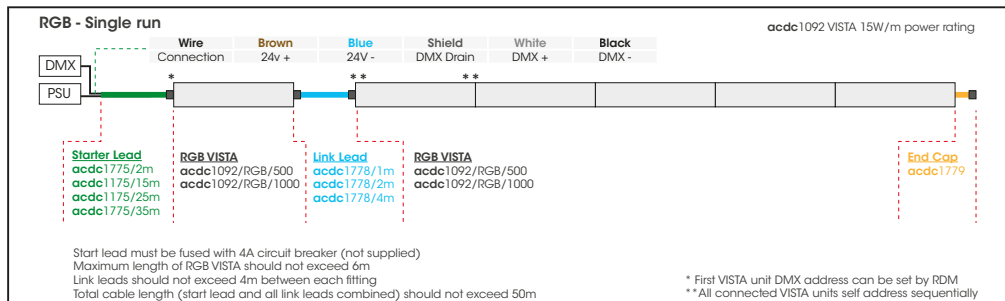
Single colour - 250mm 250
 Single colour & RGB - 500mm 500
 Single colour - 750mm 750
 Single colour & RGB - 1000mm 1000
 Single colour - 1250mm 1250

INSTALLATION INSTRUCTIONS

- Only to be installed by a qualified electrician
- Installation must be carried out in accordance with local regulations
- Turn off mains power to the driver during installation and any subsequent dis-connecting or re-connecting at the fitting
- Use correct polarity when wiring. If in any doubt contact the installation helpline +44 (0) 845 862 6400
- Do not cover the luminaires or drivers with thermal insulation or vapour barrier (see air space guidance)
- **acdc** luminaires are designed for lighting applications and must not be used for any other purpose



INSTALLATION INSTRUCTIONS



VISTA II

acdc1092

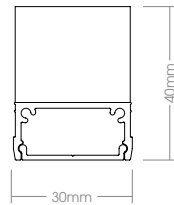
acdc[®]
Bringing light to life

A compact, in-ground, linear LED marker light, ideal for delineation of façades or in-ground details. IP67

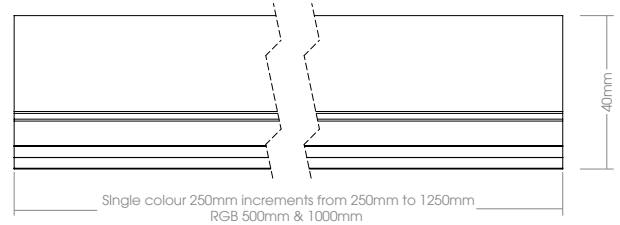
Vista II



Vista II End



Vista II Lengths



Luminaire

Material: Robust luminaire made from custom-made aluminium extrusion.

Lengths: Single colour available in increments of 250mm up to 1250mm. RGB available in 500mm or 1000mm lengths.

Beam angles: Uncollimated

Run: Fittings can be installed end to end for a continuous even lit effect.

Temperature range: From -20°C to 50°C

Thermal protection: Manufactured from bespoke grade aluminium extrusion for optimal heat management.

Performance

Lumen Maintenance: High efficiency LEDs tested to LM80 standards, 50,000hrs lifetime with lumen maintenance at L70.

Luminaire Lumens output*: Marker light

Efficacy (Lm/W): N/A

Power Consumption: Single colour 10W/m, RGB 15W/m

LED Pitch: 10mm

Binning: Colour consistency ensured across a project - 2 step MacAdam ellipse.

LED Colour: 3000°K, 4200°K, 6000°K, R, G, B, A, RGB

Driver: Switched, DMX (RGB only)

Listings: CE

IP rating: IP67

Impact Resistance: IK07

Max Load: 1000kg

Warranty: 5 years

Weight: 1.11kg per metre

Specification Codes

Product	Finishes	LED Colour	Optics	Length
acdc1092	Anodised Aluminium Silver AAS	3000°K 30 4200°K 42 6000°K 60 R R G G B B A A RGB RGB	Uncollimated U	Single Colour - 250mm 250 Single Colour & RGB - 500mm 500 Single Colour - 750mm 750 Single Colour & RGB - 1000mm 1000 Single Colour - 1250mm 1250
acdc1092			U	

This **acdc** product is

- Dual binned within a 2 step MacAdam ellipse to guarantee colour consistency
- Supplied with a 5 year guarantee



Specification subject to change without notice. Refer to our website for the most recent product documentation.

CONTACT



Head Office

Wordsworth House
Vantage Court, Riverside Way
Barrowford
Lancashire
UK
BB9 6BP

Tel: +44 (0) 845 862 6400
Fax: +44 (0) 845 862 6401
Email: sales@acdcighting.co.uk

Manufacturing

Innovation Works
Gisburn Road
Barrowford
Lancashire
UK
BB9 8NB

Tel: +44 (0) 845 862 6400

London Studio

Ground Floor
Central Block
Green Mews
Bevenden Street
London
N1 6AS

Sales Tel: +44 (0) 845 862 6400
Deliveries Tel: +44 (0) 845 862 6458
Email: london@acdcighting.co.uk

Dubai Office

Office 405, Goldcrest Executive Tower
Cluster C - Jumeirah Lakes Towers (JLT)
P.O. Box 643811
Dubai
United Arab Emirates

Tel: +971 (0) 4 3617365
Email: export@acdcighting.co.uk

USA Office

acdc corp, 841 E Fort Ave, #276
Baltimore, MD 21230
USA

Tel: +1 (410) 220 0088
Email: sales@acdcighting.us

Global Distribution Network

We have an established and growing global network of over 60 distributors and consider them a vital extension to our British, Dubai and North American based export teams.

This ensures that all customers receive the same outstanding level of world-class service and knowledge regardless of the location of your project.

For contact details of our distribution partners, please visit
acdcighting.com/contact/distribution-network/ or contact export@acdcighting.co.uk

Specification subject to change without notice. Refer to our website for the most recent product documentation.