

A TEA

2021 J 21
Linear Lighting



Today, lighting plays an integral part of architecture - permitting structural lines to be recreated and spaces to be redefined. Over the past years, lighting sources and equipment have undergone major technological development in terms of performance and economy. As well, new means of development available to designers have revolutionized work methods and production capacity. Day after day, Atea integrates these new tools in its endeavor to fuse aesthetic research with technology in the context of lighting.

La lumière aujourd'hui, fait partie intégrante de l'architecture. Elle permet de recréer des axes de structure et de définir l'ambiance des lieux. Les sources et les appareils d'éclairage ont connu ces dernières années un important développement technologique dans les domaines de la performance et de l'économie. De même les nouveaux moyens de développement mis à la disposition des designers ont bouleversé leurs méthodes de travail et leur capacité de synthèse. Atea, jour après jour, intègre ces nouveaux outils avec comme projet de mettre la recherche esthétique et la technologie au service de la lumière.

Pierre Scholtès

Serie	Model	Ref	Max power w/m	leds/m	Lumens lm/m (@4000k)	CRI /custom	Page	FPC width	Min Cut led/mm	CCT / Color (x100 k)	IP	Dimension mm	Standards	
PURE CRI	C99	A4199	26	140	2380	99 +/-1	19	10	7/50	22/27/30/40	IP20/IP67T	5000x10x2	CE	
	C99	A4199	13	140	1300	99 +/-1	19	10	7/50	22/27/30/40	IP20/IP67T	5000x10x2	CE	
ULTRACRI	CR	A4101	23	176	2700	98 +/-2	21	10	8/45	18/21/24/27/30/35/40/52/62	IP20/IP54/IP67T	5000x10x2	CE / UL	
	CR	A4101	20	120	1735	98 +/-2	21	10	6/50	18/21/24/27/30/35/40/52/62	IP20/IP54/IP67T	5000x10x2	CE / UL	
	CR	A4101	10	120	950	98 +/-2	21	10	6/50	18/21/24/27/30/35/40/52/62	IP20/IP54/IP67T	5000x10x2	CE / UL	
DYNAMIC WHITE	DW	A4102	23	120	2500	98 +/-2	25	10	6+6/100	18/21/24/27/30/35/40/52/62	IP20/IP54/IP67T	5000x10x2	CE / UL	
	DW	A4102	10	120	950	98 +/-2	25	10	6+6/100	18/21/24/27/30/35/40/52/62	IP20/IP54/IP67T	5000x10x2	CE / UL	
3D	3D	A4103	10	120	720	98 +/-2	27	12	6/50	18/21/24/27/30/35/40/52/62	IP67T	5000x10x6	CE / UL	
SNAKE	SN	A4105	5	60	390	98 +/-2	29	6	6/100	18/21/24/27/30/35/40/52/62	IP20	5000x6x2	CE / UL	
	SN	A4105	12	60	1160	93 +/-2	29	6	6/100	21/24/27/30/35/40/60	IP20	5000x6x2	CE / ETL	
SLIM	S5	A4110	15	180	1100	93	31	5	6/34	21/24/27/30/40/60/R/G/B/Y	IP20/IP54/IP67T	5000x5x2	CE / UL	
	S8	A4118	15	180	1400	98 +/-2	31	8	6/34	18/21/24/27/30/35/40/52/62	IP20/IP54/IP67T	5000x8x2	CE / UL	
	S8	A4118	10	120	950	98 +/-2	31	8	6/50	18/21/24/27/30/35/40/52/62	IP20/IP54/IP67T	5000x8x2	CE / UL	
REGULAR	C9	A4109	25	240	2640	93	33	10	6/25	21/24/27/30/40/60/R/G/B/Y	IP20/IP65H	5000x10x2	CE / ETL	
	C9	A4109	24	120	2400	93	33	10	6/50	21/24/27/30/40/60/R/G/B/Y	IP20/IP65H	5000x10x2	CE / ETL	
	C9	A4109	12	60	1200	93	33	8	6/100	21/24/27/30/40/60/R/G/B/Y	IP20/IP65H	5000x 8x2	CE / ETL	
HIGH EFFICACY	HE	A4111	29	160	4320	82 / 92	35	12	8/50	24/27/30/40/60	IP20/IP54/IP67T	3000x12x2	CE / UL	
	HE	A4111	23	128	3450	82 / 92	35	12	8/63	24/27/30/40/60	IP20/IP54/IP67T	5000x12x2	CE / UL	
ULTRA EFFICACY	UE	A4116	40	224	6050	82 / 92	37	12	8/36	24/27/30/40/60	IP20/IP54	3000x12x2	CE / UL	
	UE	A4116	29	160	4900	82 / 92	37	12	8/50	24/27/30/40/60	IP20/IP54	3000x12x2	CE / UL	
DISTANCE	D30	A4121	15	120	1510	90 / 98	39	10	6/50	24/27/30/40/60	IP20/IP67T	30m by two end powered	3000x10x2	CE / UL
	D50	A4121	4	60	460	90 / 98	39	10	6/100	24/27/30/40/60	IP20/IP67T	50m by two end powered	5000x10x2	CE / UL
PIXEL 12V	PX	A4119	15	60	1260	82	41	10	3/50	27/30/40/60/R/G/B	IP20/IP54/IP67T	pixel 50mm - pixel by pixel	5000x10x2	
PIXEL RGB 5V	RGB	A4120	18	60	-	-	43	10	1/17	RGB	IP20/IP67H	pixel 17mm - pixel by pixel	5000x10x2	CE / ETL
RGB	RGB	A4106	23	96	-	-	45	10	6/63	RGB	IP20/IP54/IP67T		5000x10x2	CE / ETL
RGB	RGB	A4106	15	60	-	-	45	10	6/100	RGB	IP20/IP54/IP67T		5000x10x2	CE / ETL
RGB DMX	RGB	A4106.DMX	15	60	-	-	45	12	6/100	RGB	IP20/IP54/IP67H	pixel 100mm - direct dmx	5000x12x2	CE / ETL
RGB+W	RGBW	A4107	23	96	912	92	47	12	4+4/83	RGB+21/24/27/30/40/60	IP20/IP67H		5000x12x2	CE / ETL
RGB+2W	RGB2W	A4117	23	72	648	92	49	16	6+6/167	RGB+30+60	IP20/IP67H		5000x16x2	CE / ETL
NEO 3D	NE	A4113.1515				82	51				IP67		5000x15x15	CE / UL
NEO TOP	NS	A4114.1312				82	53				IP67		5000x13x12	CE / UL
SIDE SIDE	SW	A4115.1220					55				IP67		5000x12x20	CE / UL

Serie	Model	Ref	Max power w/m	Bending mm	Lumens lm/m (@4000k)	CRI Ra	Page		Angle °	Min Cut mm	CCT / Color (x100 k)	IP/IK	Input voltage	Dimension mm	Standards
NEO 360	N360	A4113.D25.W	15	>120	950	92 +/-2	55		360	500	23/27/30/40	IP65/IK08	24v	5000xD25	CE/UL/ROHS
	N360	A4113.D25.DW	15	>120	375	92 +/-2	55		360	n/a	23+40	IP65/IK08	24v	5000xD25	CE/UL/ROHS
	N360	A4113.D25.R/G/B/Y	15	>120			55		360	n/a	R/G/B/Y	IP65/IK08	24V	5000XD25	CE/UL/ROHS
NEO 3D	N3D	A4113.1515.W	8	>60	510	92 +/-2	57		120	41.66	23/28/32/44	IP67/IK08	24v	5000x15x15	CE/UL/ROHS
	N3D	A4113.1515.R/G/B/Y	8	>60			57		120	41.66	R/G/B/Y	IP67/IK08	24v	5000x15x15	CE/UL/ROHS
NEO TOP	NT1312	A4114.1312.W	11	>60	620	92 +/-2	59		110	50.00	23/27/30/40	IP67/IK08	24v	5000x13x12 (10m possible)	CE/UL/ROHS
	NT1312	A4114.1312.R/G/B/Y	9	>60			59		110	50.00	R/G/B/Y	IP67/IK08	24v	5000x13x12 (10m possible)	CE/UL/ROHS
	NT1312	A4114.1312.DW	14	>60	300	92 +/-2	59		110	31.25	27+50	IP67/IK08	24v	5000x13x12	CE/UL/ROHS
	NT1312	A4114.1312.RGB	13	>60			59		110	83.00	RGB	IP67/IK08	24v	5000x13x12	CE/UL/ROHS
	NT1312	A4114.1312.RGBW	17	>60		92 +/-2	59		110	62.50	RGBW (27/35/45/50)	IP67/IK08	24v	5000x13x12	CE/UL/ROHS
	NT1312	A4114.1312.RGBX	21	>60			59		110	71.43	RGBX	IP67/IK08	24v	5000x13x12	CE/UL/ROHS
NEO TOP DISTANCE	NTDIS	A4114.1515D.W6	6	>60	250	92 +/-2	61		110	100	23/27/30/40	IP67/IK08	48v	5000x15x15	CE/UL/ROHS
	NTDIS	A4114.1515D.W10	10	>60	350	92 +/-2	61		110	100	23/27/30/40	IP67/IK08	48v	20000x15x15	CE/UL/ROHS
NEO TOP 3 SIDES	NT3S	A4114.3S.1312U.W	12	>60	800	92 +/-2	63	PF	210	38.50	23/27/30/40/50	IP67/IK08	24v	5000x13x12 (10m possible)	CE/UL/ROHS
NEO TOP DOME	NTD	A4114.1615.W	12	>60	820	95 +/-2	65	ES	210	41.66	23/27/30/37/50	IP67/IK08	24v	5000x16x15 (15m possible)	CE/UL/ROHS
	NTD	A4114.1615.RGB	15	>60			65	LY	210	50.00	RGB	IP67/IK08	24v	5000x16x15	CE/UL/ROHS
NEO TOP POOL	NTP	A4114.1515P.W	10	>60	430	92 +/-2	67		110	50.00	23/27/30/40	IP68/IK08	24v	5000x15x15 (10m possible)	CE/UL/ROHS
	NTP	A4114.1515P.R/G/B/Y	8	>60			67		110	50.00	R/G/B/Y	IP68IK08	24v	5000x15x15 (10m possible)	CE/UL/ROHS
	NTP	A4114.1515P.DW	10	>60	190	92 +/-2	67		110	62.50	23+40	IP68/IK08	24v	5000x15x15	CE/UL/ROHS
	NTP	A4114.1515P.RGB	12	>60			67		110	80.00	RGB	IP68/IK08	24v	5000x15x15	CE/UL/ROHS
NEO SIDE	NS1217	A4115.1217.W	11	>60	520	92 +/-2	69	LY	110	50.00	23/27/30/40/60	IP67/IK08	24v	5000x12x17 (10m possible)	CE/UL/ROHS
	NS1217	A4115.1217.R/G/B/Y	9	>60			69		110	50.00	R/G/B/Y	IP67/IK08	24v	5000x12x17 (10m possible)	CE/UL/ROHS
	NS1217	A4115.1217.DW	14	>60	325	92 +/-2	69		110	100.00	23+40 / 27+60	IP67/IK08	24v	5000x12x17	CE/UL/ROHS
	NS1217	A4115.1217.RGB	13	>60			69		110	83.00	RGB	IP67/IK08	24v	5000x12x17	CE/UL/ROHS
	NS1217	A4115.1217.RGBW	17	>60		92 +/-2	69	LY	110	62.50	RGBW	IP67/IK08	24v	5000x12x17	CE/UL/ROHS
	NS1217	A4115.1217.RGBX	21	>60			69	LY	110	71.43	RGBX	IP67/IK08	24v	5000x12x17	CE/UL/ROHS
NEO SIDE SLIM4	NS0410	A4115.0410.W	8	>30	270	92 +/-2	71		110	41.66	23/27/30/40	IP67/IK06	24v	5000x04x10	CE/UL/ROHS
	NS0410	A4115.0410.R/G/B/Y	8	>30			71		110	41.66	R/G/B/Y	IP67/IK06	24v	5000x04x10	CE/UL/ROHS
	NS0410	A4115.0410.DW	8	>30	85	92 +/-2	71		110	31.25	23+40	IP67/IK06	24v	5000x04x10	CE/UL/ROHS
NEO SIDE SLIM6	NS0612	A4115.0612.W	10	>30	280	92 +/-2	73		110	50.00	23/27/30/40	IP67/IK06	24v	5000x06x12	CE/UL/ROHS
	NS0612	A4115.0612.W.30m	6	>30	190	92 +/-2	73		110	50.00	23/27/30/40	IP67/IK06	48v	30000x06x12	CE/UL/ROHS
	NS0612	A4115.0612.R/G/B/Y	8	>30			73		110	50.00	R/G/B/Y	IP67/IK06	24v	5000x06x12	CE/UL/ROHS
	NS0612	A4115.0612.DW	10	>30	140	92 +/-2	73		110	62.50	23+40	IP67/IK06	24v	5000x06x12	CE/UL/ROHS
NEO SIDE DISTANCE	NSDIS	A4115.1217D.W.50m	6	>60	240	92 +/-2	75	DX	110	100	23/27/30/40	IP67/IK08	48v	50000x12x17	CE/UL/ROHS
	NSDIS	A4115.1217D.W.20m	10	>60	400	92 +/-2	75		110	100	23/27/30/40	IP67/IK08	48v	20000x12x17	CE/UL/ROHS
	NSDIS	A4115.1217D.R/G/B	10	>60			75		110	100		IP67/IK08	48v	20000x12x17	CE/UL/ROHS
	NSDIS	A4115.1217D.RGB	10	>60			75		110	100		IP67/IK08	48v	20000x12x17	CE/UL/ROHS
	NSDIS	A4115.1217D.RGBW	10	>60			75		110	125	23/27/35/40/50	IP67/IK08	48v	20000x12x17	CE/UL/ROHS
	NSDIS	A4115.1217.DW	10	>60	170	92 +/-2	75		110	62.5	23+40	IP67/IK08	48v	20000x12x17	CE/UL/ROHS
NEO SIDE POOL	NSP	A4115.1224.W	10	>60	520	92 +/-2	77		140	50.00	23/27/32/42/50	IP68/IK08	24v	5000x12x24 (10m possible)	CE/UL/ROHS
	NSP	A4115.1224.R/G/B/Y	8	>60			77		140	50.00	R/G/B/Y	IP68/IK08	24v	5000x12x24 (10m possible)	CE/UL/ROHS
	NSP	A4115.1224.RGB	12	>60			77		140	83.00	RGB	IP68/IK08	24v	5000x12x24	CE/UL/ROHS

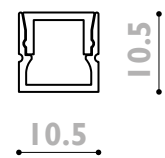
A3953 Flex
(P.83)



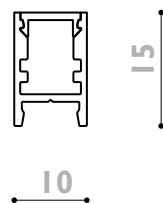
A39108 Cova
(P.85)



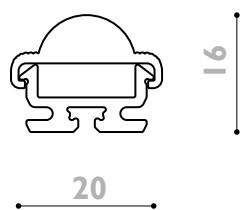
A3972 Campus Mini
(P.92)



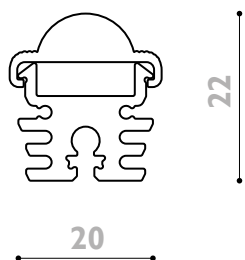
A3989 Cobe Mini
(P.93)



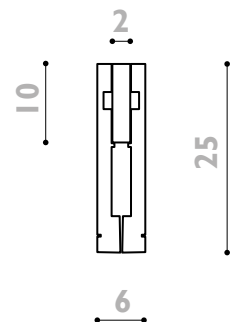
A3952 Totem
(P.87)



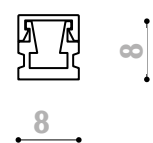
A3950 Totem XL
(P.86)



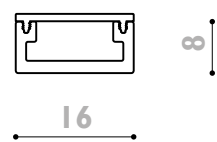
A39110 Sini
(P.101)



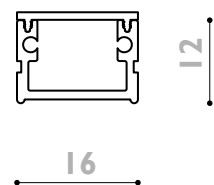
A39109 Little
(P.91)



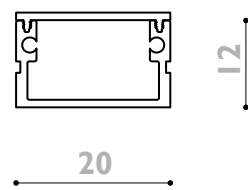
A39107 Romulus Mini
(P.95)



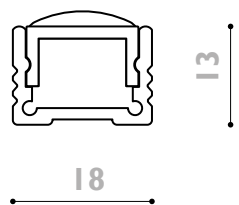
A39105 Romulus
(P.96)



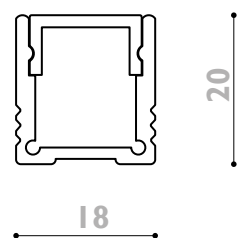
A39104 Romulus XL
(P.97)



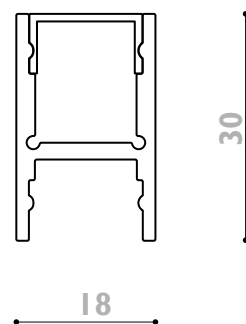
A3960 Campus
(P.88)



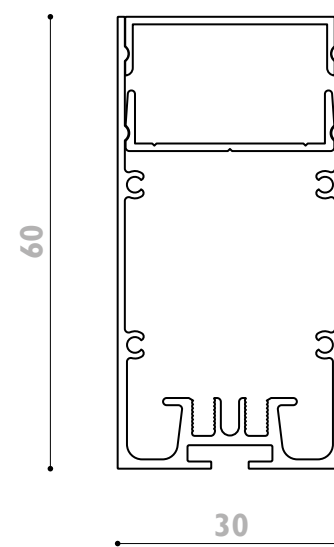
A3961 Campus High
(P.89)



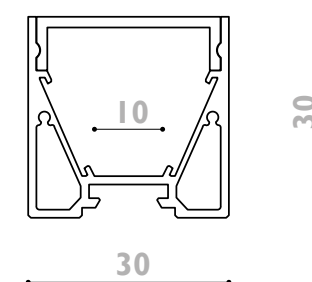
A3962 Cobe H
(P.98)



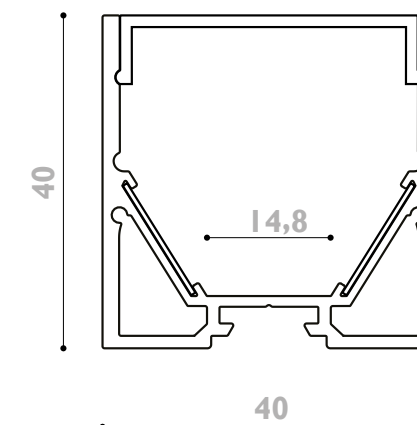
A3920 Trento
(P.99)



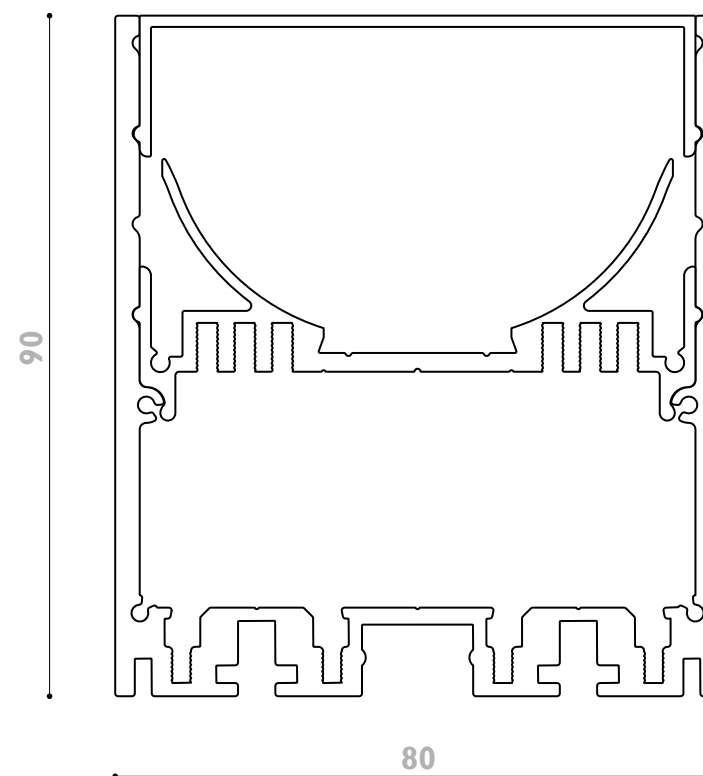
A3971 Alpha
(P.102)



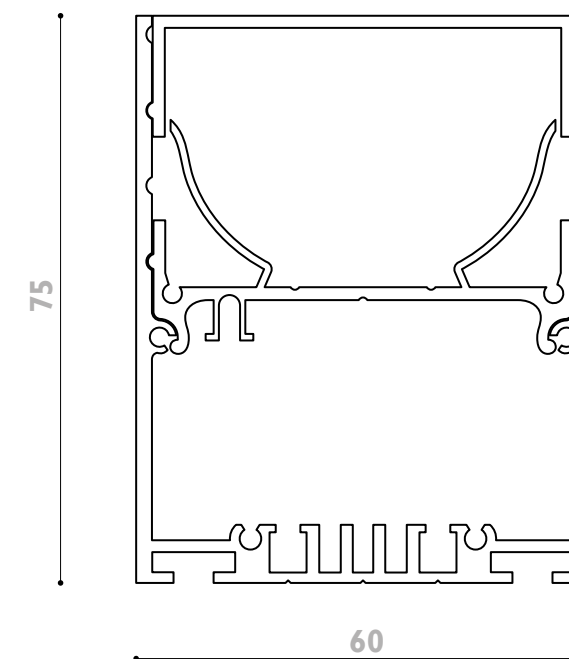
A3979 Alpha XL
(P.103)



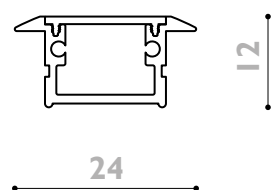
A3926 Octo
(P.105)



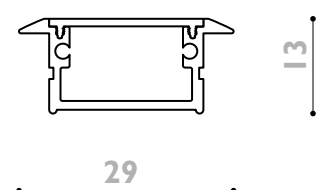
A3921 Saxo
(P.104)



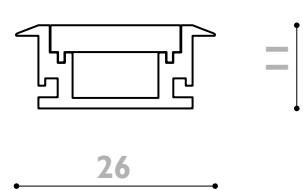
A39123 Belini
(P.114)



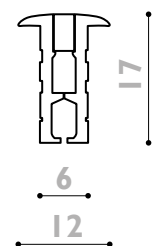
A39122 Belini XL
(P.115)



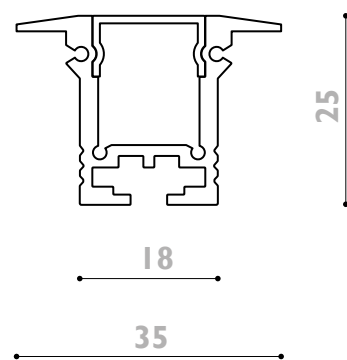
A39144 Solo
(P.113)



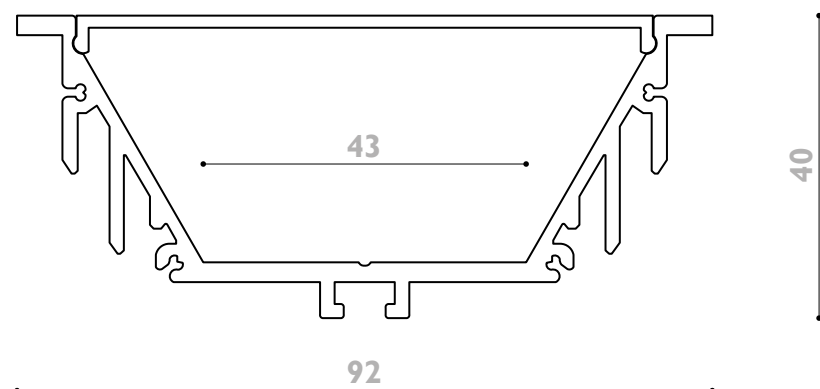
A39126 Sini T
(P.100)



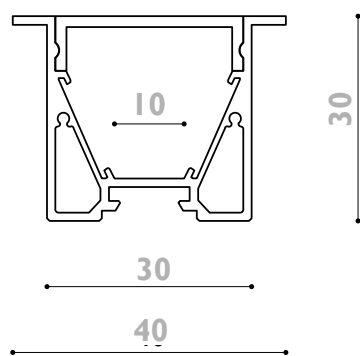
A3963 Cobe T
(P.112)



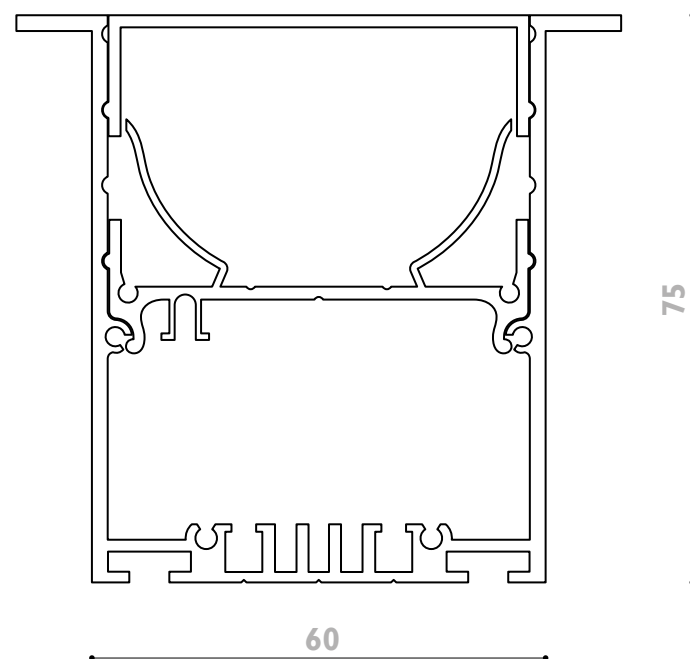
A3982 Astro T
(P.111)



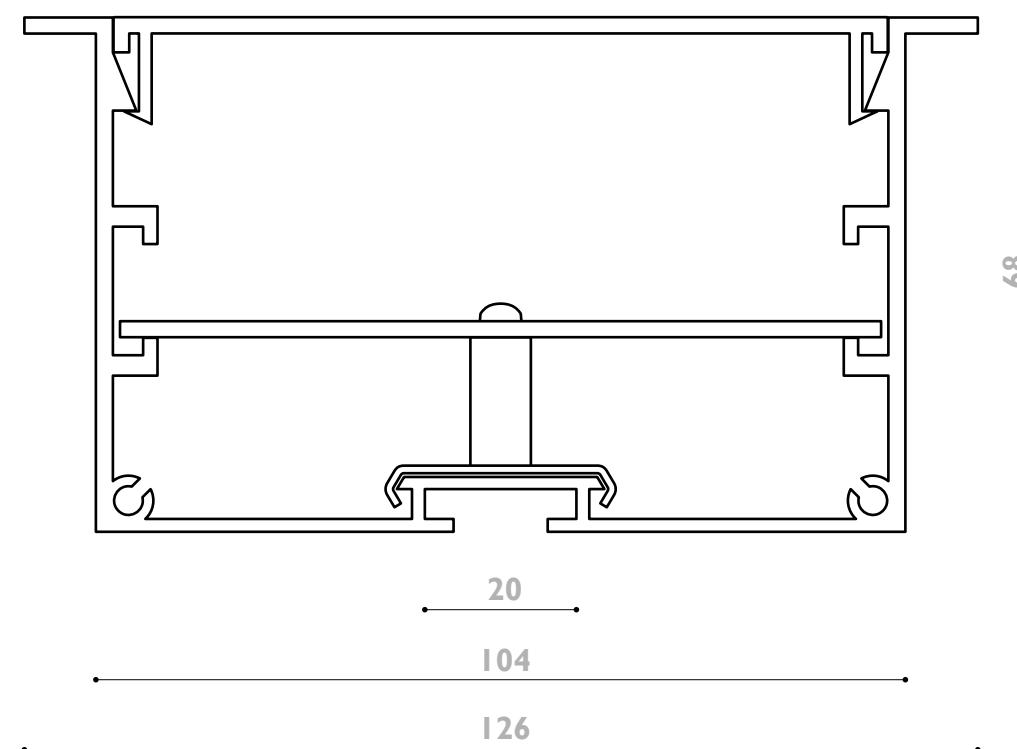
A3970 Alpha T
(P.110)



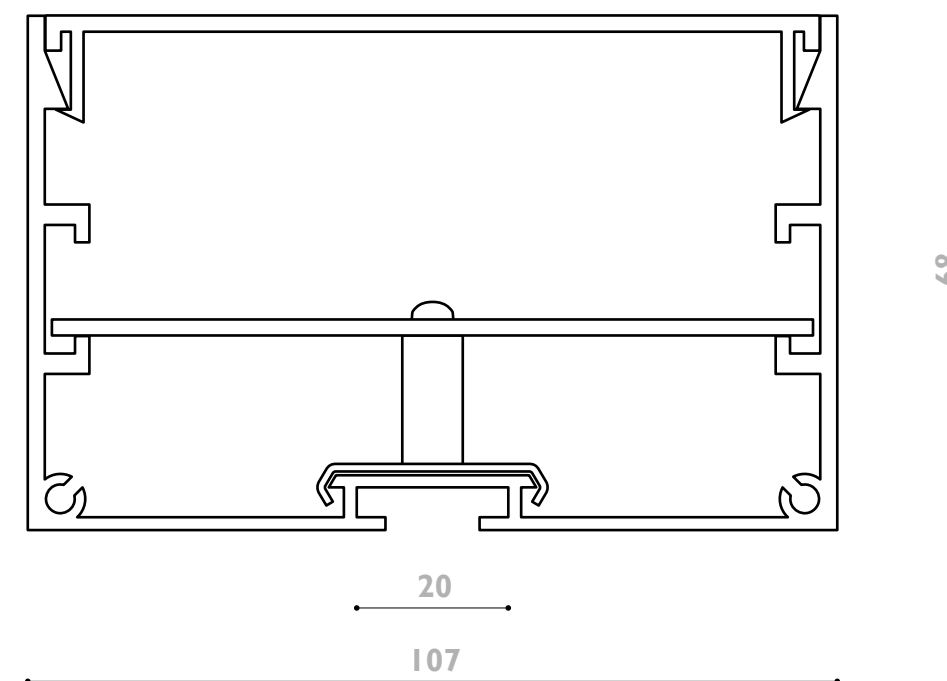
A3925 Saxo T
(p.111)



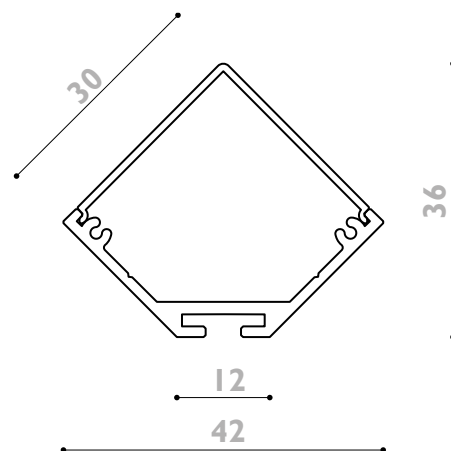
A39180 Cento T
(P.107)



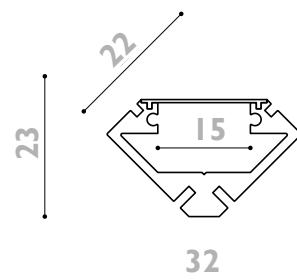
A39175 Cento
(P.106)



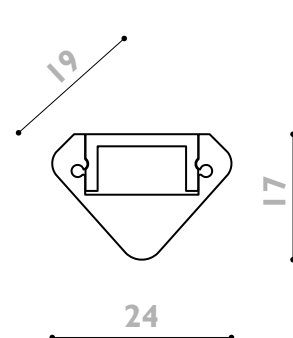
A3949 Angel
(P.118)



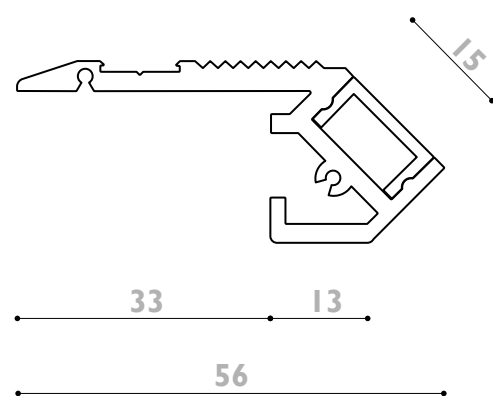
A39133 Sofia
(P.117)



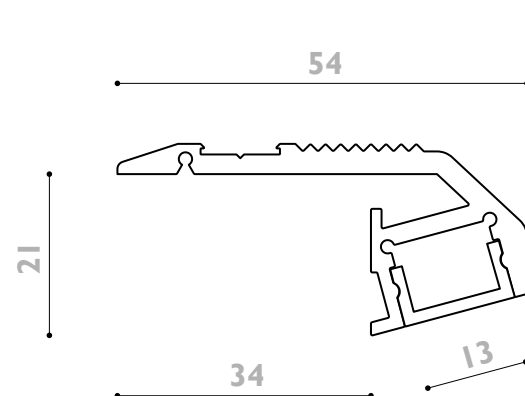
A3967 Trio
(P.116)



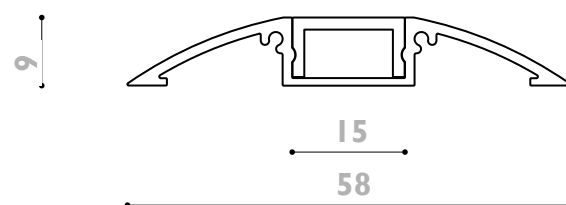
A3977 Step UP
(P.122)



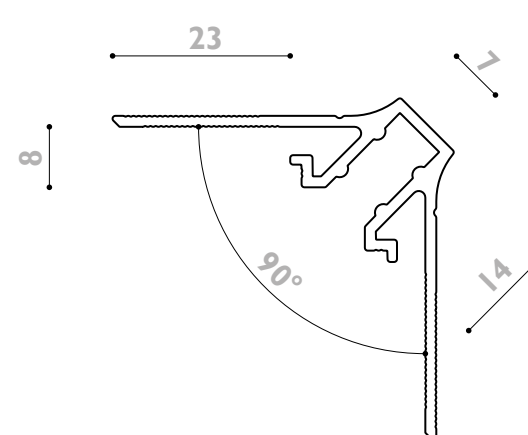
A3977 Step Down
(P.122)



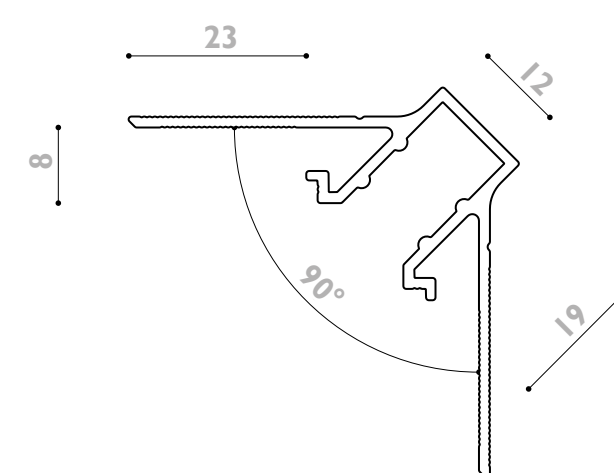
A3942 Fondo
(P.123)



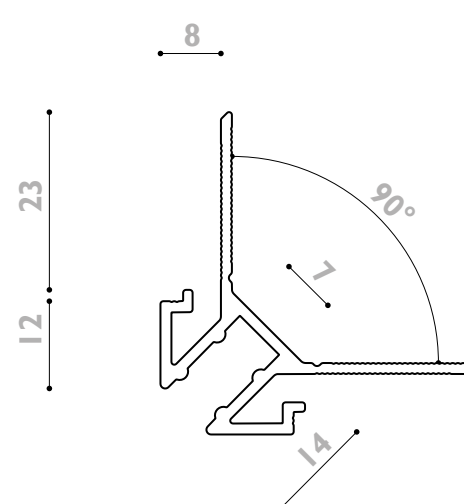
A3927 Corner
(P.119)



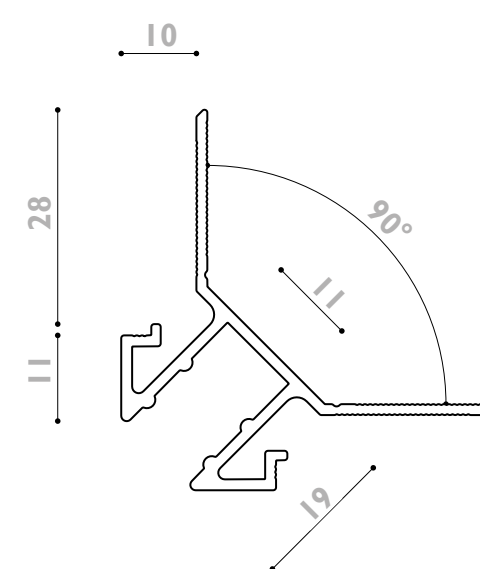
A3928 Corner
(P.119)



A3929 Corner
(P.119)



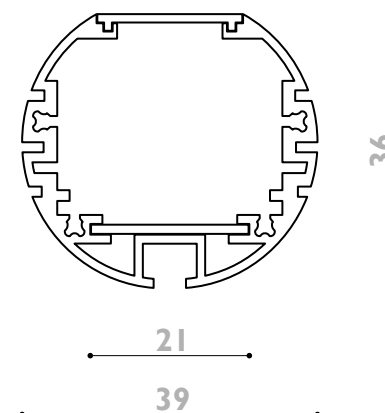
A3930 Corner
(P.119)



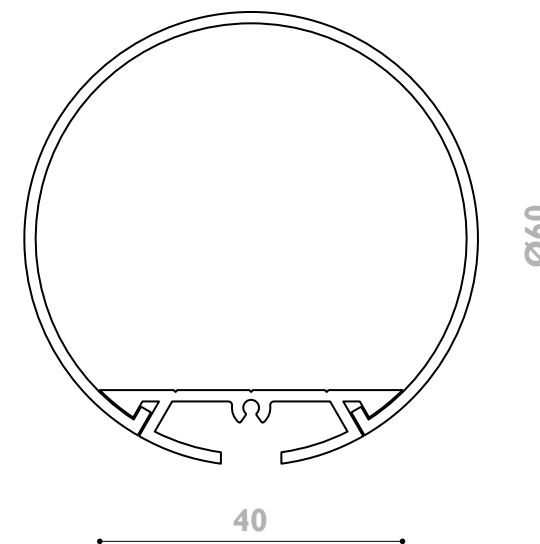


ROUND

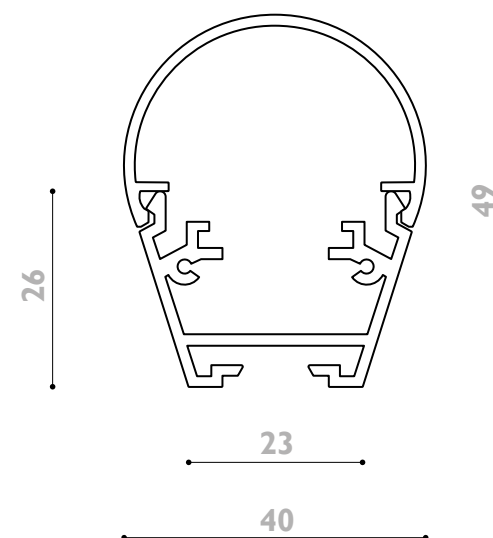
A39163 Olympe XL
(P.126)



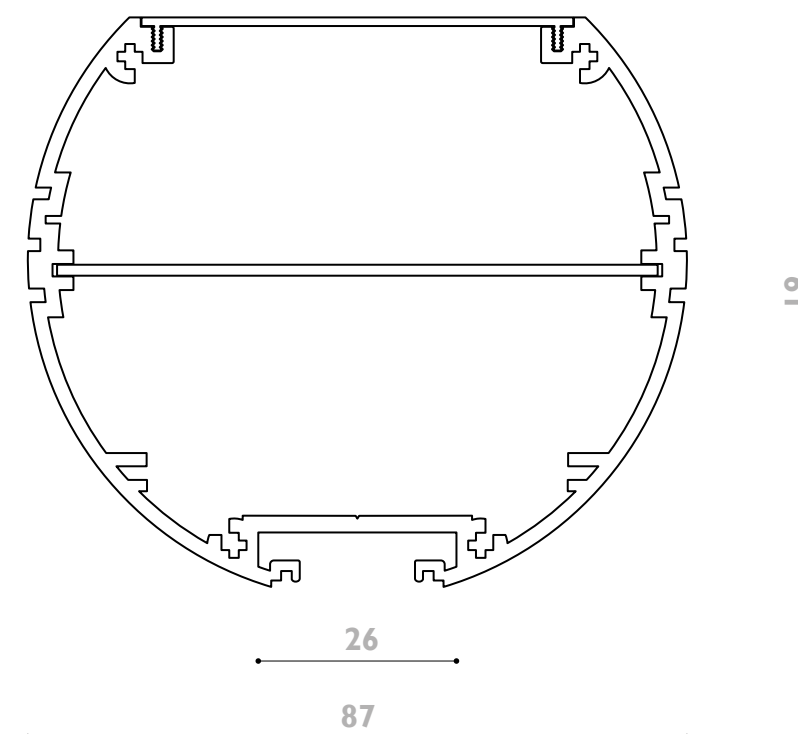
A39172 Odin
(P.125)



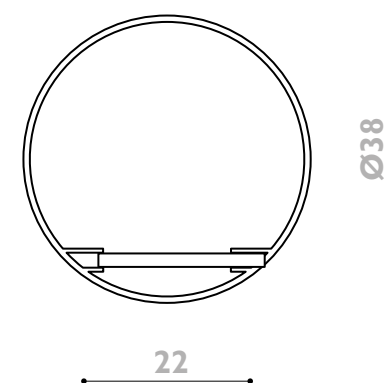
A3923 Garda
(P.128)



A39174 Oscar
(P.127)



A39165 Orion
(P.124)







STRIP

PURE CRI	19
ULTRACRI	21
DYNAMIC WHITE	25
3D	27
SNAKE	29
SLIM 5	31
REGULAR	33
HIGH EFFICACY	35
ULTRA EFFICACY	37
DISTANCE	39
PIXEL	41
PIXEL RGB	43
RGB	45
RGB+W	47
RGB2W	49
NEO 3D	51
NEO TOP	53
NEO SIDE	55

PURE CRI

Ultimate performance ledstrip CRI99
 Ruban très haute performance IRC99
 A4199



Indice de Rendu de Couleur IRC **Color Rendering CRI**
 99 (+/-1)

Température de couleur **Color CCT**
 2700K - 3000K - 4000K - 6000K

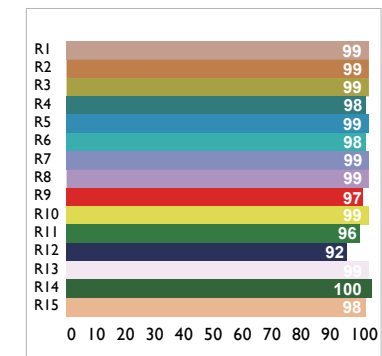
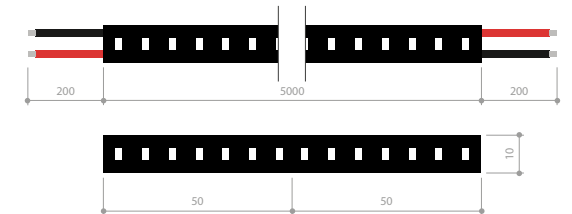
Rendement **Luminous Efficacy**
 65 lm/w - 80 lm/w

Puissance & nombre de led **Power & number of Led**
 26 w/m & 140 led/m | 13 w/m & 140 leds/m

Coupe **Cut**
 50 mm

Dimensions **Dimensions**
 5000 mm x 10 mm x 2 mm

Température d'utilisation **Ambiant temp.**
 - 10°C / + 40°C



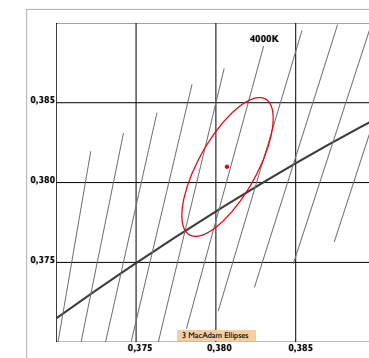
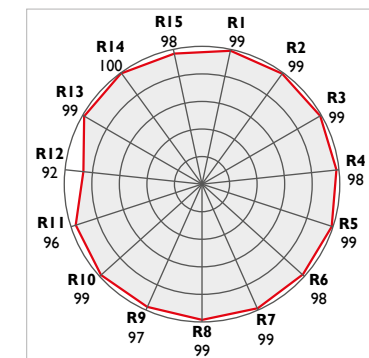
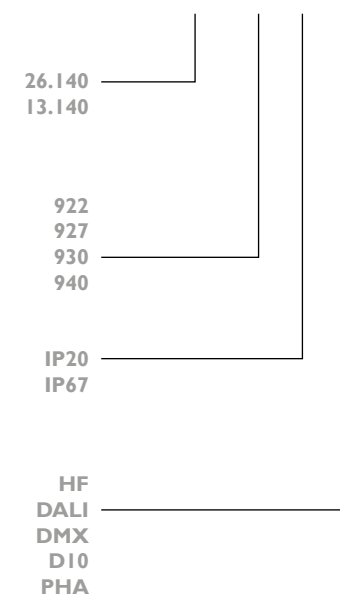
A4199.26.140.940.IP20.DALI

Power & number led/m
 26 w/m & 140 led/m
 13 w/m & 140 led/m
 Custom (5 to 15W)

Led Color	flux 13 w/m	26 w/m	
2200K	960 lm	1920 lm	922
2700K	1140 lm	2100 lm	927
3000K	1220 lm	2240 lm	930
4000K	1360 lm	2500 lm	940

IP Rating
 IP 20
 IP 67 TUBE
 Custom (IP20 or IP65)

Dimming
 No dimming
 Dali
 Dmx
 Dimming I to 10VDC
 Phase dimming digital



ULTRACRI

High performance ledstrip CRI between 97 and 98
 Ruban led haute performance IRC compris entre 97 et 98
A4101



Indice de Rendu de Couleur IRC Color Rendering CRI
 98 (+/-2)

Température de couleur Color CCT
 1800K - 2100K - 2400K - 2700K - 3000K - 3500K - 4000K - 5000K - 6000K

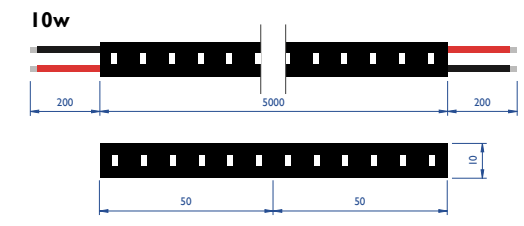
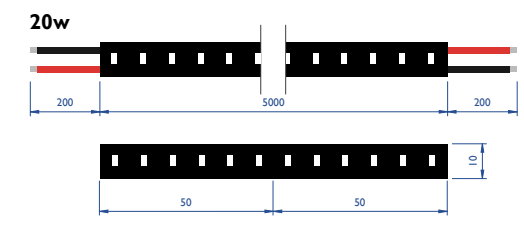
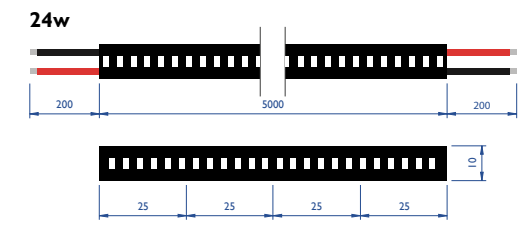
Rendement Luminous Efficacy
 60 lm/w - 90 lm/w

Puissance & nombre de led Power & number of Led
 23 w/m & 240 led/m | 20 w/m & 120 led/m | 10 w/m & 120 leds/m

Coupe Cut
 25 mm (23w) | 50 mm (20w/10w)

Dimensions Dimensions
 5000 mm x 10 mm x 2 mm

Température d'utilisation Ambient temp.
 - 10°C / + 40°C



A4101.20.120.924.IP20.DALI

Power & number led/m
 23 w/m & 240 led/m
 20 w/m & 120 led/m
 10 w/m & 120 led/m
 Custom (5 to 15W)

Led Color	flux 10 w/m	20 w/m	23 w/m	
1800K YP35	650 lm	1190 lm	1720 lm	918
2100K YN35	720 lm	1320 lm	1840 lm	921
2400K YM25	750 lm	1360 lm	1980 lm	924
2700K YK45	890 lm	1625 lm	2300 lm	927
3000K YJ65	890 lm	1625 lm	2410 lm	930
3500K YI45	890 lm	1625 lm	2410 lm	935
4000K YH54	950 lm	1735 lm	2460 lm	940
5000K YF50G	950 lm	1735 lm	2460 lm	950
6000K YC84	995 lm	1825 lm	2450 lm	960

Custom binning Yxxx
 (See binning selection)

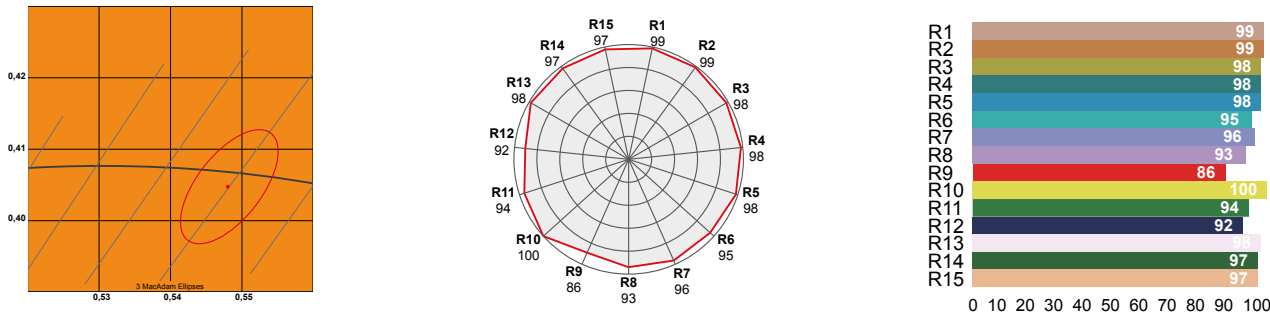
IP Rating
 IP 20
 IP 67 TUBE
 Custom (IP20 or IP65)

Dimming
 No dimming
 Dali
 Dmx
 Dimming I to 10VDC
 Phase dimming digital

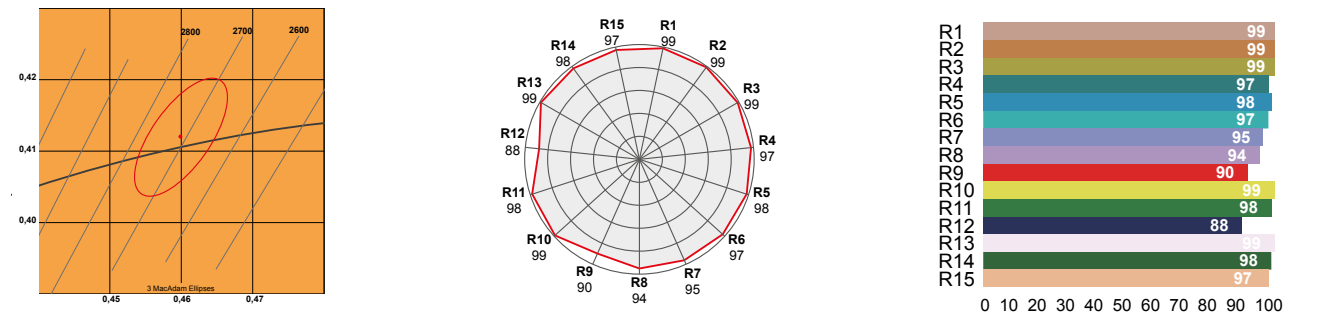
IP20
 IP67
 HF
 DALI
 DMX
 D10
 PHA



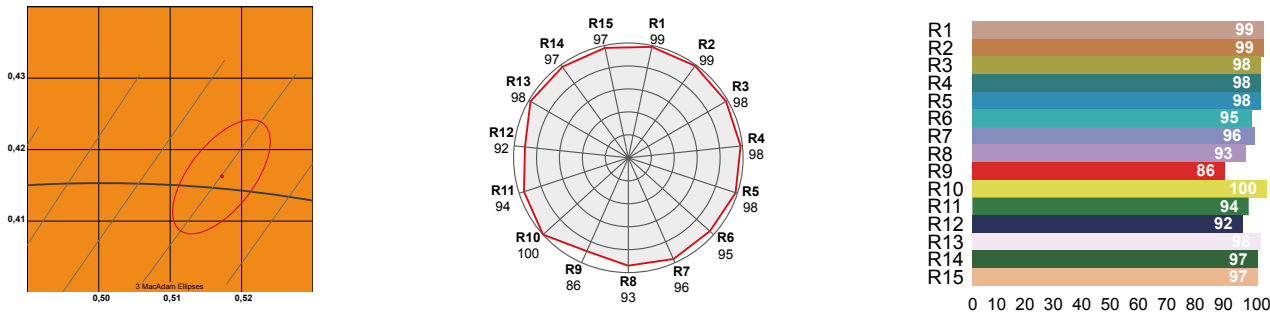
1800K | YP35 | $x = 0,547$ $y = 0,405$ | Ra 97 | R9 87| CQS 97



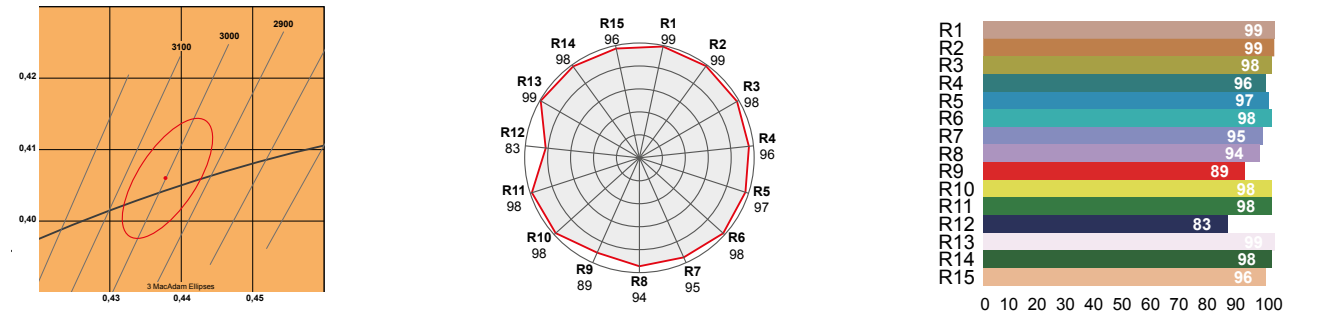
2700K | YK45 | $x = 0,460$ $y = 0,412$ | Ra 98 | R9 90| CQS 94



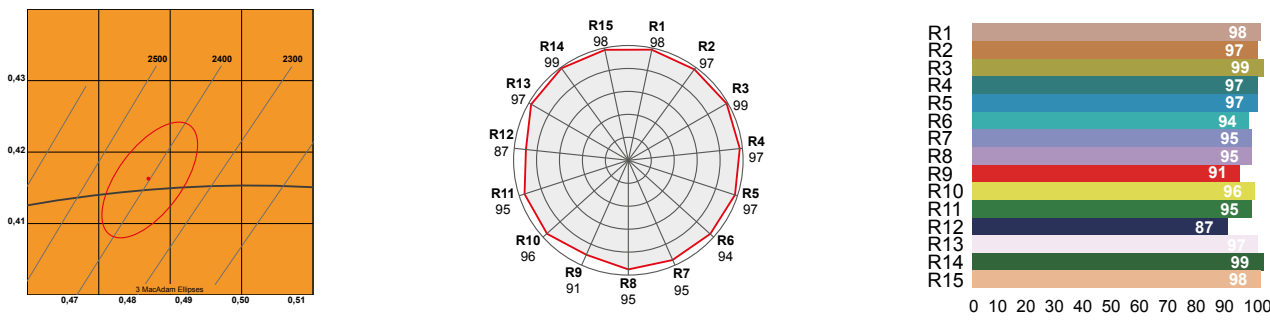
2100K | YN35 | $x = 0,516$ $y = 0,414$ | Ra 97 | R9 87| CQS 97



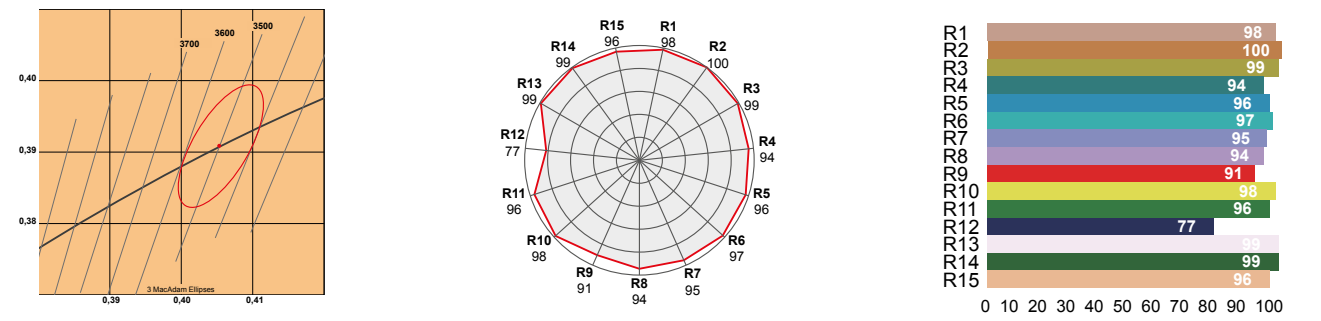
3000K | YJ65 | $x = 0,438$ $y = 0,406$ | Ra 97 | R9 90| CQS 94



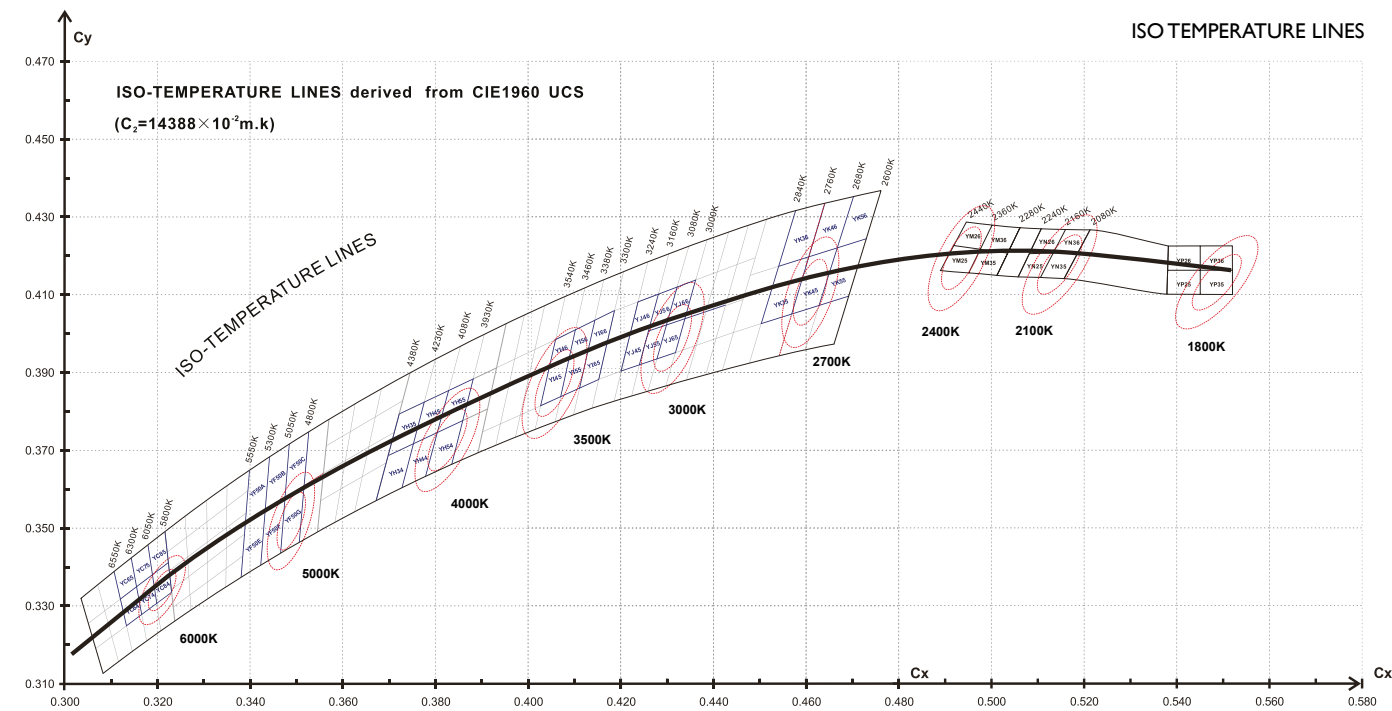
2400K | YM25 | $x = 0,487$ $y = 0,416$ | Ra 96 | R9 91| CQS 95



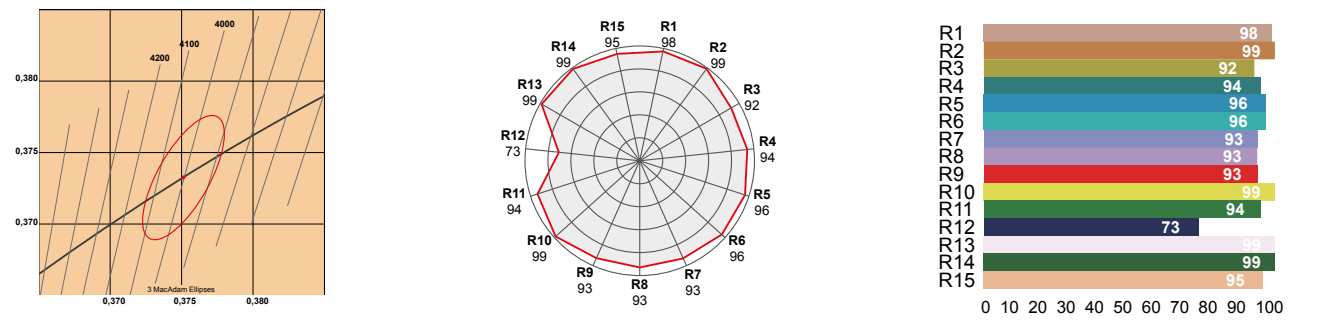
3500K | YI45 | $x = 0,405$ $y = 0,391$ | Ra 97 | R9 91| CQS 94



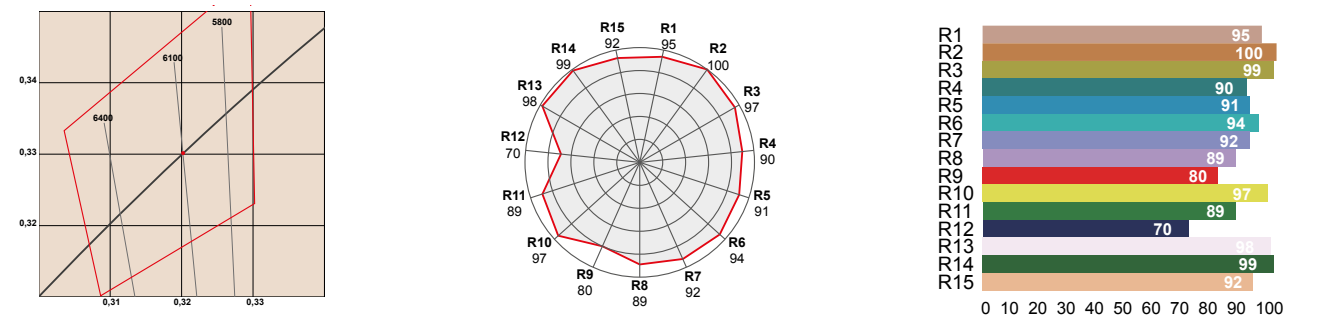
BINNING SELECTION FOR CUSTOM STRIP



4000K | YH54 | $x = 0,380$ $y = 0,377$ | Ra 96 | R9 93| CQS 93



6000K | YC84 | $x = 0,320$ $y = 0,320$ | Ra 94 | R9 80| CQS 90 | ANSI C78.377A



DYNAMIC WHITE

Tunable white led flex strip between 1800K & 6000K

Ruban led à blanc réglable de 1800K à 6000K

A4102



Indice de Rendu de Couleur IRC **Color Rendering CRI**
98 (+/-2)

Température de couleur **Color CCT**
1800K - 2100K - 2400K - 2700K - 3000K - 3500K - 4000K - 5000K - 6000K

Rendement **Luminous Efficacy**
90 lm/w - 110 lm/w

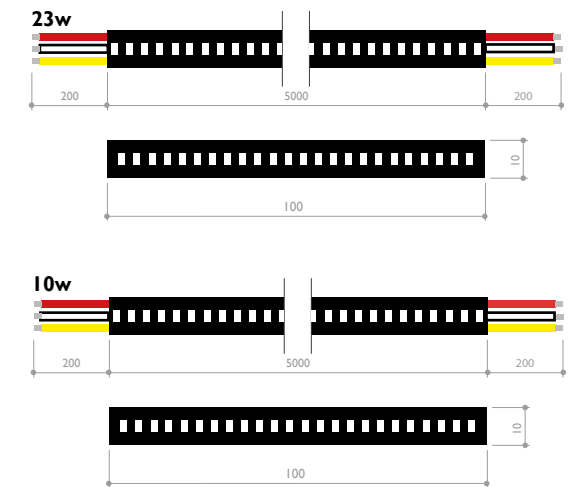
Puissance & nombre de led **Power & number of Led**
23 w/m & 120 led/m | 10 w/m & 120 leds/m

Coupe **Cut**
100 mm

Dimensions **Dimensions**
5000 mm x 10 mm x 2 mm

Température d'utilisation **Ambiant temp.**
- 10°C / + 40°C

Tension d'alimentation **Input voltage**
2 x 24Vdc



A4102.23.120.924.960.IP20.DALI

Power & number led/m
23 w/m & 120 led/m
10 w/m & 120 led/m
Custom (5 to 15W)

23.120
10.120

Led Color	flux 10 w/m	23 w/m	
1800K YP35	325 lm	850 lm	918
2100K YN35	360 lm	950 lm	921
2400K YM25	375 lm	985 lm	924
2700K YK45	445 lm	1170 lm	927
3000K YJ65	445 lm	1170 lm	930
3500K YI45	445 lm	1170 lm	935
4000K YH54	475 lm	1250 lm	940
5000K YF50G	475 lm	1250 lm	950
6000K YC84	498 lm	1300 lm	960

For example :
2700K+4000K 23w/m = 1170lm + 1250lm = 2420 lm 105lm/w

IP Rating

IP 20
IP 54
IP 67 TUBE
Custom (IP20 or IP65)

IP20
IP54
IP67

Dimming

Dali
Dmx

DALI
DMX



3D

3D led strip - 90 to 180 angle bend application
Ruban led 3D pour applications courbes

A4103



Indice de Rendu de Couleur IRC **Color Rendering CRI**
98 (+/-2)

Température de couleur **Color CCT**
1800K - 2100K - 2400K - 2700K - 3000K - 3500K - 4000K - 5000K - 6000K

Rendement Luminous **Efficacy**
60 lm/w - 90 lm/w

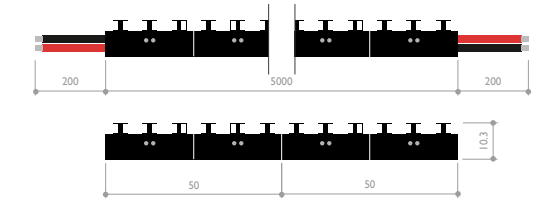
Puissance & nombre de led **Power & number of Led**
10 w/m & 120 leds/m

Coupe **Cut**
50 mm

Dimensions **Dimensions**
5000 mm x 12 mm x 6 mm

Température d'utilisation **Ambiant temp.**
- 10°C / + 40°C

Tension d'alimentation **Input voltage**
24Vdc



A4103.10.120.924.IP67.DALI

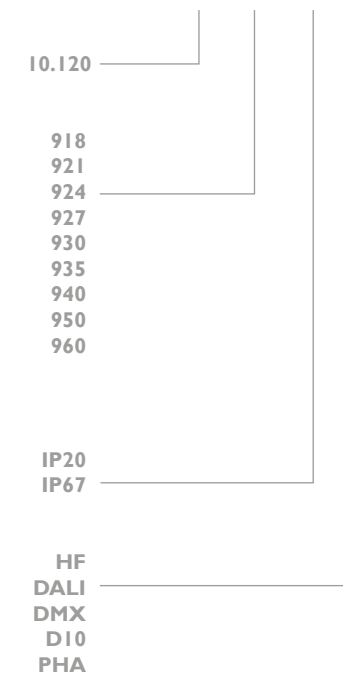
Power & number led/m
10 w/m & 120 led/m

Led Color	flux lm/m	
1800K YP35	490 lm	918
2100K YN35	540 lm	921
2400K YM25	560 lm	924
2700K YK45	645 lm	927
3000K YJ65	645 lm	930
3500K YI45	645 lm	935
4000K YH54	710 lm	940
5000K YF50G	710 lm	950
6000K YC84	750 lm	960

Custom binning Yxxx
(See binning selection)

IP Rating
IP 20
IP 67 TUBE

Dimming
No dimming
Dali
Dmx
Dimming I to 10VDC
Phase dimming digital



SNAKE

Angle bendable ledstrip for custom shape lighting applications
 Ruban led à courber dans différentes directions

A4105



Indice de Rendu de Couleur IRC Color Rendering CRI
 98 (5w) / 93 (12w)

Température de couleur Color CCT
 1800K - 2100K - 2400K - 2700K - 3000K - 3500K - 4000K - 5000K - 6000K

Rendement Luminous Efficacy
 60 lm/w - 90 lm/w

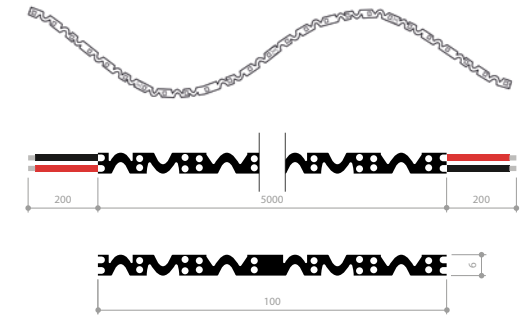
Puissance & nombre de led Power & number of Led
 5 w/m & 60 leds/m | 12 w/m & 60 leds/m

Coupe Cut
 100 mm

Dimensions Dimensions
 5000 mm x 7 mm x 2 mm

Température d'utilisation Ambient temp.
 - 10°C / + 40°C

Tension d'alimentation Input voltage
 24Vdc



A4105.05.60.924.IP20.DALI

Power & number led/m
 5 w/m & 60 led/m
 12 w/m & 60 led/m

05.60
 12.60

Led Color	5w/m	12w/m	
1800K YP35	250 lm	-	918
2100K YN35	270 lm	1050 lm	921
2400K YM25	300 lm	1070 lm	924
2700K YK45	360 lm	1100 lm	927
3000K YJ65	360 lm	1130 lm	930
3500K YI45	360 lm	-	935
4000K YH54	390 lm	1160 lm	940
5000K YF50G	360 lm	-	950
6000K YC84	400 lm	1190 lm	960

IP Rating
 IP 20

IP20

Dimming
 No dimming
 Dali
 Dmx
 Dimming 1 to 10VDC
 Phase dimming digital

HF
 DALI
 DMX
 D10
 PHA



SLIM

5mm & 8mm slimstrip with CRI between 93 and 98
 Ruban 5mm & 8mm avec IRC compris entre 93 et 98
 A4118 (8mm) | A4110 (5mm)



Indice de Rendu de Couleur IRC Color Rendering CRI
 98 (+/-2) | 93 (slim5)

Temperature de couleur Color CCT
 1800K - 2100K - 2400K - 2700K - 3000K - 3500K - 4000K - 5000K - 6000K

Rendement Luminous Efficacy
 60 lm/w - 90 lm/w

Puissance & nombre de led Power & number of Led
 10 w/m & 120 leds/m (A4118) | 15 w/m & 180 leds/m (A4110 or A4118)

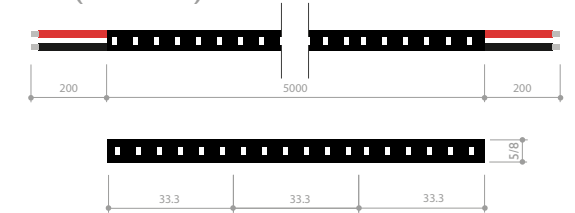
Coupe Cut
 50 mm | 33.3 mm

Dimensions Dimensions
 5000 mm x 8 mm x 2 mm (A4118) | 5000 mm x 5 mm x 2 mm (A4110)

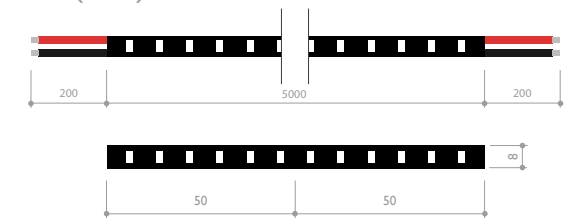
Température d'utilisation Ambient temp.
 - 10°C / + 40°C

Tension d'alimentation Input voltage
 24Vdc

15w (8mm/5mm)



10w (8mm)



A4118 or A4110.15.180.924.IP20.DALI

Power & number led/m

15 w/m & 180 led/m	15.180
10 w/m & 180 led/m (A4110 only)	10.120
Custom (5w)	

Led Color	flux 10 w/m	15 w/m	
1800K YP35	720 lm	1080 lm	918
2100K YN35	720 lm	1080 lm	921
2400K YM25	750 lm	1120 lm	924
2700K YK45	890 lm	1330 lm	927
3000K YJ65	890 lm	1330 lm	930
3500K YI45	890 lm	1330 lm	935
4000K YH54	950 lm	1420 lm	940
5000K YF50G	950 lm	1420 lm	950
6000K YC84	995 lm	1490 lm	960

Custom binning Yxxx
 (See binning selection)

IP Rating

IP 20	IP20
IP 54	IP54
IP 67 TUBE	IP67
Custom (IP20 or IP65)	

Dimming

No dimming	HF
Dali	DALI
Dmx	DMX

REGULAR

CRI93 strip with latest LED generation
 Ruban CRI93 de dernière génération
 A4109



Indice de Rendu de Couleur IRC Color Rendering CRI
 R9>70 - 93 (+/-2)

Température de couleur Color CCT
 1800K - 2100K - 2400K - 2700K - 3000K - 4000K - 6000K - R - G - B - Y

Rendement Luminous Efficacy
 90 lm/w - 110 lm/w

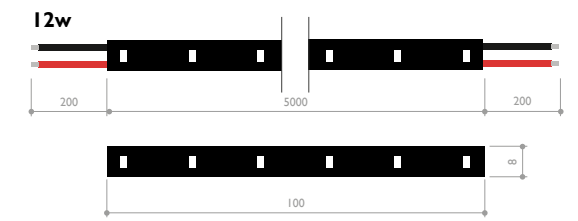
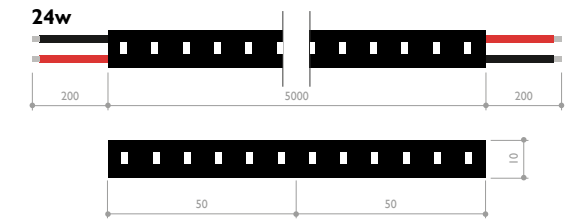
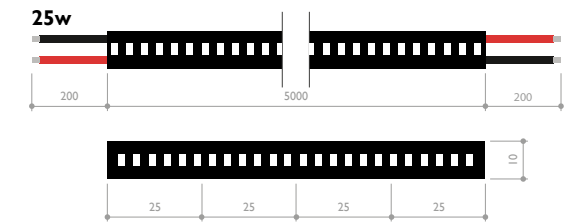
Puissance & nombre de led Power & number of Led
 25 w/m & 240 led/m | 24 w/m & 120 led/m | 12 w/m & 60 leds/m

Coupe Cut
 25 mm (25w) | 50 mm (24w) | 100 mm (12w)

Dimensions Dimensions
 5000 x 10 x 2 mm (25w/24w) | 5000 x 8 x 2 mm (12w)

Température d'utilisation Ambient temp.
 - 10°C / + 40°C

Tension d'alimentation Input voltage
 24Vdc



A4109.24.120.924.IP20.DALI

Power & number led/m

25 w/m & 240 led/m	25.240
24 w/m & 120 led/m	24.120
12 w/m & 60 led/m	12.60

Led Color

	12 w/m	24 w/m	25 w/m	
1800K	1030 lm	2060 lm	2110 lm	918
2100K	1090 lm	2190 lm	2280 lm	921
2400K	1110 lm	2220 lm	2330 lm	924
2700K	1150 lm	2300 lm	2390 lm	927
3000K	1170 lm	2340 lm	2450 lm	930
4000K	1200 lm	2400 lm	2500 lm	940
6000K	1230 lm	2460 lm	2550 lm	960

IP Rating

IP 20	IP20
IP 65 H	IP65

Dimming

No dimming	HF
Dali	DALI
Dmx	DMX
Dimming I to 10VDC	D10
Phase dimming digital	PHA

HIGH EFFICACY

Lineair efficacy 150 lm/w
 capacité 150 lm/w
A4111



Indice de Rendu de Couleur IRC Color Rendering CRI
 >82

Température de couleur Color CCT
 2700K - 3000K - 4000K - 6000K

Rendement Luminous Efficacy
 150 lm/w

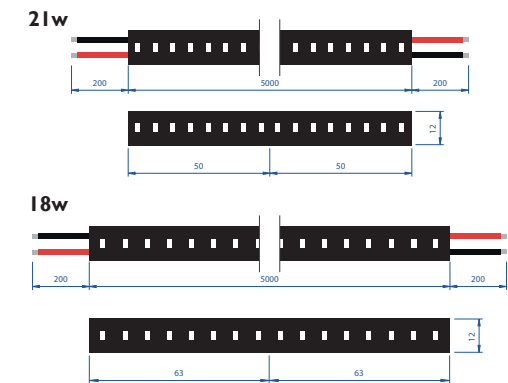
Puissance & nombre de led Power & number of Led
 21 w/m & 160 led/m | 18 w/m & 128 led/m

Coupe Cut
 50 mm (21w) | 62.5 mm (23w)

Dimensions Dimensions
 3000 x 12 x 2 mm (21w) | 5000 x 12 x 2 mm (23w)

Température d'utilisation Ambient temp.
 - 10°C / + 40°C

Tension d'alimentation Input voltage
 24Vdc



A4111.21.160.830.IP65H.DALI

Power & number led/m
 21 w/m & 160 led/m
 18 w/m & 128 led/m

21.160
 18.128

Led Color flux	18 w/m	21w/m	
2700K	2870 lm	3300 lm	827
3000K	2910 lm	3370 lm	830
4000K	3000 lm	3530 lm	840
6000K	3000 lm	3450 lm	860

IP Rating
 IP 20
 IP 54
 IP 65H

IP20
 IP54
 IP65H

Dimming
 No dimming
 Dali
 Dmx
 Dimming I to 10VDC
 Phase dimming digital

HF
 DALI
 DMX
 D10
 PHA

ULTRA EFFICACY

Linear strip with ultra efficacy up to 5900lm/m
and up to 180 lm/w

Lineaire ultra efficacité jusqu'à 5900 lm/m
& jusqu'à 180 lm/w

A4116



Indice de Rendu de Couleur IRC Color Rendering CRI >80

Température de couleur Color CCT 2700K - 3000K - 4000K - 6000K

@4000K - Rendement Luminous Efficacy 180 lm/w (27 & 33w) | 170 lm/w (18 & 21w)

Puissance & nombre de led Power & number of Led 18 w/m & 128 led/m | 21 w/m & 160 led/m | 27 & 33 w/m & 240 led/m

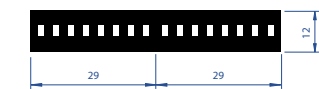
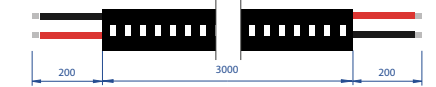
Coupe Cut 29.1 mm (27 & 33w) | 50 mm (21w) | 62.5 mm (18w)

Dimensions Dimensions 5000 x 10 x 2 mm (18 & 21w) | 3000 x 12 x 2 mm (27 & 33w)

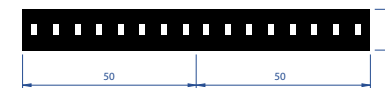
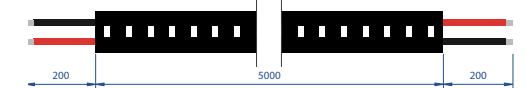
Température d'utilisation Ambient temp. - 10°C / + 40°C

Tension d'alimentation Input voltage 24Vdc

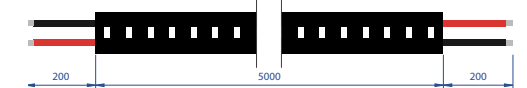
27w & 33w



21w



18w



A4116.33.240.840.IP20.DALI

Power & number led/m

18 w/m & 128 led/m (170lm/w@4000K)	18.128
21 w/m & 160 led/m (170lm/w@4000K)	21.160
27 w/m & 240 led/m (180lm/w@4000K)	27.240
33 w/m & 240 led/m (180lm/w@4000K)	33.240

Led Color 21w/m 27 w/m 33 w/m

2700K	3300 lm	4500 lm	5500 lm	827
3000K	3350 lm	4600 lm	5600 lm	830
4000K	3500 lm	4850 lm	5900 lm	840
6000K	3500 lm	4850 lm	5900 lm	860

IP Rating

IP 20	IP20
IP 54	IP54

Dimming

No dimming	HF
Dali	DALI
Dmx	DMX
Dimming I to 10VDC	D10
Phase dimming digital	PHA

DISTANCE

Linear strip up to 50m by one end powered
 Lineaire de longueur jusqu'à 50m avec alimentation à une extrémité
A4121



Indice de Rendu de Couleur IRC Color Rendering CRI
80 / 90

Température de couleur Color CCT
2700K - 3000K - 4000K - 6000K

Rendement Luminous Efficacy
100 lm/w (irc80 @ 4000K)

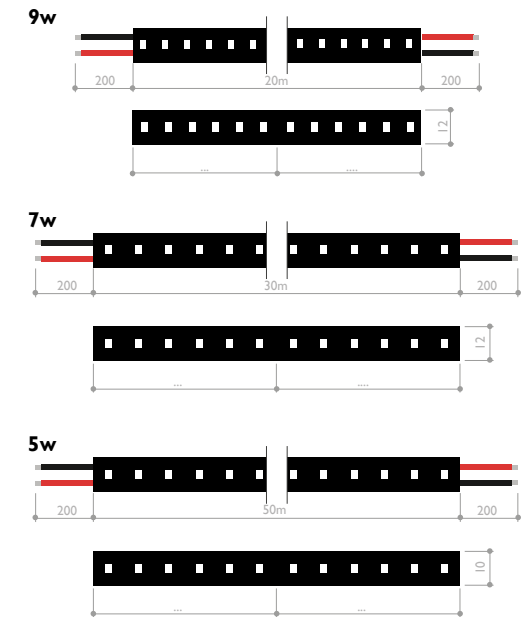
Puissance & nombre de led Power & number of Led
5 w/m & 78 led/m | 7 w/m & 90 led/m | 9 w/m & 60 led/m

Coupe Cut

Dimensions Dimensions
50m x 10x2mm (5w 48v) | 30m x 12x2mm (7w 36v) | 20m x 12x2mm (9w 24v)

Température d'utilisation Ambient temp.
- 20°C / + 40°

Tension d'alimentation Input voltage 50mm
24v (9w) | 36v (7w) | 48v (5w)



A4121.05.78.830.IP20.DALI

Power & number led/m
 9 w/m & 60 led/m (20m)
 7 w/m & 90 led/m (30m)
 5 w/m & 78 led/m (50m)

09.60
07.90
05.78

Color	9 w/m	7 w/m	5 w/m	
2700K	620 lm	550 lm	450 lm	827
3000K	670 lm	620 lm	450 lm	830
4000K	840 lm	720 lm	510 lm	840
6000K	840 lm	750 lm	510 lm	860

827
830
840
860

IP Rating

IP 20
IP 67 T

IP20
IP67

Dimming

No dimming
Dali
Dmx
Dimming I to 10VDC
Phase dimming digital

HF
DALI
DMX
D10
PHA

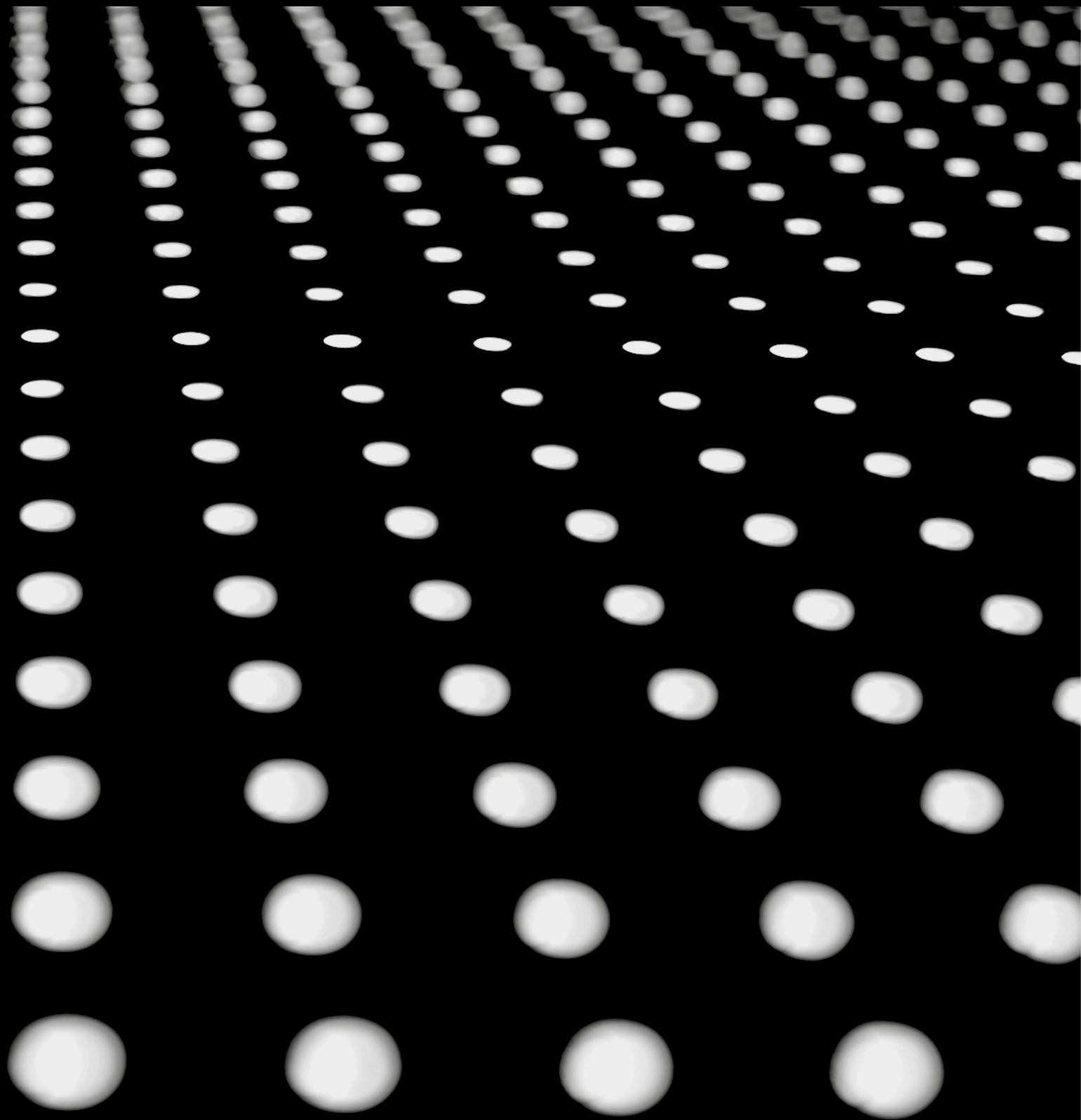


PIXEL

DIGITAL SPI strip with latest LED generation

Ruban SPI DIGITAL de dernière génération

A4119



Indice de Rendu de Couleur IRC **Color Rendering CRI**
82 (+/-2)

Température de couleur **Color CCT**
2700K - 3000K - 4000K - 6000K - R - G - B

Rendement **Luminous Efficiency**
90 lm/w

Puissance & nombre de led **Power & number of Led**
15 w/m & 60 leds/m

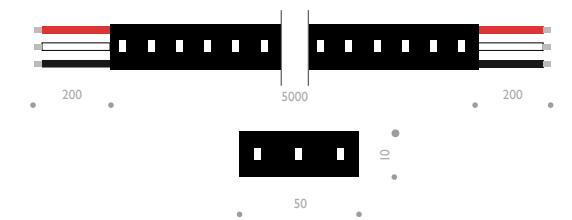
Coupe **Cut**
50 mm

Dimensions **Dimensions**
5000 x 10 x 2 mm

Température d'utilisation **Ambiant temp.**
- 5°C / + 40°C

SPI protocol **SPI Protocol**
WS2811

Tension d'alimentation **Input voltage**
12Vdc



A4119.15.60.830.IP20.SPI

Power & number led/m
15 w/m & 60 led/m

Led Color

2700K	980 lm	827
3000K	1110 lm	830
4000K	1260 lm	840
6000K	1260 lm	860
Red		R
Green		G
Blue		B

IP Rating

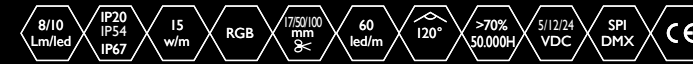
IP 20	IP20
IP 54	IP54
IP 67 T	IP67

Dimming

Arnet SPI	SPI
Dmx	DMX

PIXEL RGB

RGB DIGITAL strip with latest Monochip LED generation
 Ruban monochip RGB DIGITAL de dernière génération
A4120



Couleur Color
 ■ R 620/625 nm | ■ G 520/525 nm | ■ B 465/470 nm

Puissance lumineuse Luminous output
 8/10 lm/led

Puissance & nombre de led Power & number of Led
 18 w/m & 60 leds/m (5v) | 15 w/m & 60 leds/m (12v & 24v)

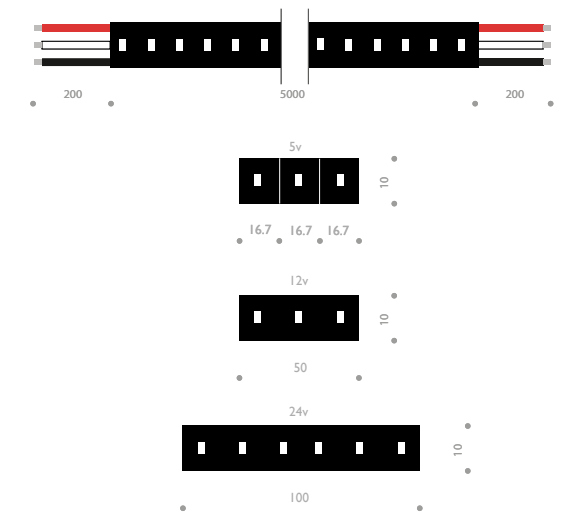
Coupe et taille du pixel Cut & Size of pixel
 16.7 mm (5v) | 50mm (12v) | 100mm (24v)

Protocol SPI SPI protocol
 SK6812 (5v) | UCS1903 (12v & 24v)

Dimensions Dimensions
 5000 x 10 x 2 mm

Température d'utilisation Ambient temp.
 - 10°C / + 40°C

Tension d'alimentation Input voltage
 Vdc 5v / 12v / 24v

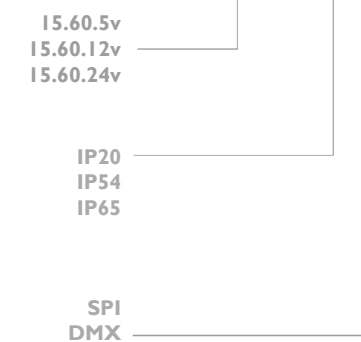


Power & number led/m
 18 w/m & 60 led/m & 5v
 15 w/m & 60 led/m & 12v
 18 w/m & 60 led/m & 24v

IP Rating
 IP 20
 IP 54
 IP 65H

Dimming
 Artnet
 SPI
 Dmx

A4120.15.60.12v.IP20.DMX



RGB

RGB strip with latest Monochip LED generation
 Ruban monochip RGB de dernière génération

A4106



Couleur Color
 ■ R 620/625 nm | ■ G 520/525 nm | ■ B 465/470 nm

Puissance lumineuse Luminous output
 8/10 lm/led

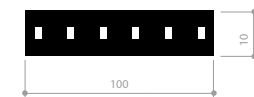
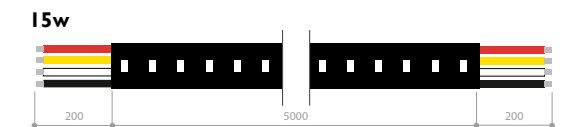
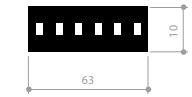
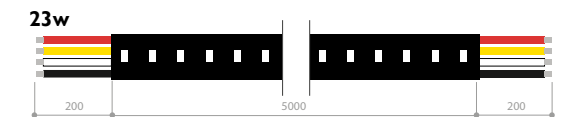
Puissance & nombre de led Power & number of Led
 23 w/m & 96 leds/m | 15 w/m & 60 leds/m

Coupe Cut
 62.5 mm (23w) | 100 mm (15w)

Dimensions Dimensions
 5000 x 10 x 2 mm

Température d'utilisation Ambient temp.
 - 10°C / + 40°C

Tension d'alimentation Input voltage
 3x24Vdc



A4106.23.96.IP20.DALI

Power & number led/m
 23 w/m & 96 led/m
 15 w/m & 60 led/m

23.96
 15.60

IP Rating
 IP 20
 IP 54
 IP 65 R

IP20
 IP54
 IP65

Dimming
 Dali
 Dmx
 Dimming I to 10VDC

DALI
 DMX
 DI0

RGB+W

RGB+W strip with latest RGB LED generation
 Ruban RGB+W de dernière génération
 A4107



Couleurs RGB RGB Colors
 ■ R 620/625 nm | ■ G 520/525 nm | ■ B 465/470 nm

Température de couleur White CCT
 □ 2100K - 2400K - 2700K - 3000K - 4000K - 6100K

Indice de Rendu de Couleur IRC White Color Rendering CRI
 94 (+/-2)

Puissance lumineuse Luminous output
 1210 lm/m (W40) | 480 lm/m (RGB)

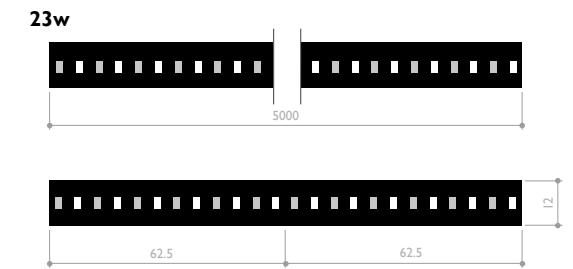
Puissance & nombre de led Power & number of Led
 23 w/m & 2x96 leds/m

Coupe Cut
 62.5 mm (8 leds W + 8 leds RGB)

Dimensions Dimensions
 5000 x 12 x 2 mm

Température d'utilisation Ambient temp.
 - 10°C / + 40°C

Tension d'alimentation Input voltage
 4x24 Vdc



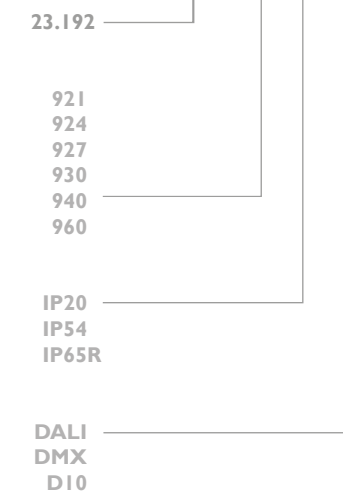
A4107.23.192.940.IP20.DALI

Power & number led/m
 23 w/m & 2x96 led/m

Led Color	White output
2100K	915 lm
2400K	955 lm
2700K	1130 lm
3000K	1130 lm
4000K	1210 lm
6000K	1260 lm

IP Rating
 IP 20
 IP 54
 IP 65 R

Dimming
 Dali
 Dmx
 Dimming I to 10VDC



RGB2W

RGB2W strip with latest Monochip LED generation
 Ruban RGB2W monochip de dernière génération
 A4117



Couleurs RGB RGB Colors
 ■ R 620/625 nm | ■ G 520/525 nm | ■ B 465/470 nm

Température de couleur White CCT
 □ □ 2700K - 3000K - 4000K - 6100K

Indice de Rendu de Couleur IRC White Color Rendering CRI
 85

Puissance lumineuse Luminous output
 1050/1400 lm/m(WW+CW) | 380/480 lm/m (RGB)

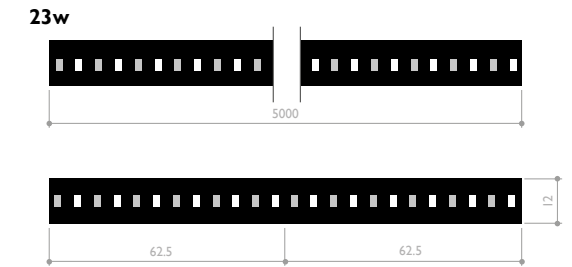
Puissance & nombre de led Power & number of Led
 23 w/m & 96 leds/m

Coupe Cut
 62.5 mm

Dimensions Dimensions
 5000 x 12 x 2 mm

Température d'utilisation Ambient temp.
 - 10°C / + 40°C

Tension d'alimentation Input voltage
 5x24Vdc

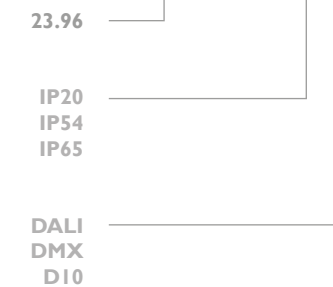


A4117.23.96.RGB2W.IP20.DALI

Power & number led/m
 23 w/m & 96 led/m

IP Rating
 IP 20
 IP 54
 IP 65 R

Dimming
 Dali
 Dmx
 Dimming I to 10VDC





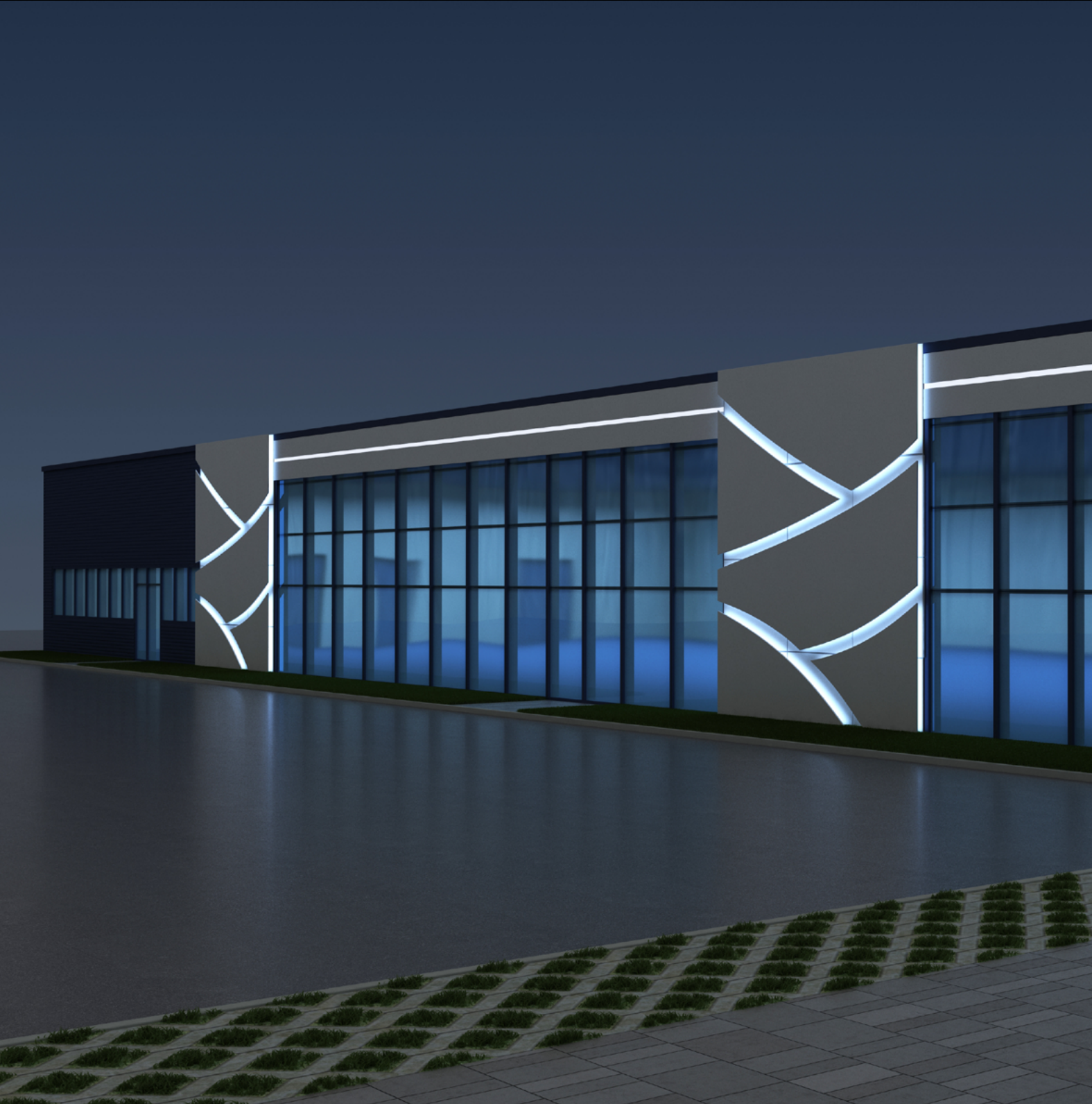


NEO

NEO 360	55
NEO 3D	57
NEO TOP	59
NEO TOP DISTANCE	61
NEO TOP 3 SIDES	63
NEO TOP DOME	65
NEO TOP POOL	67
NEO SIDE	69
NEO SIDE SLIM 4	71
NEO SIDE SLIM 6	73
NEO SIDE DISTANCE	75
NEO SIDE POOL	77

NEO 360

Flexible LED Light Tube, 360° output
 Tube de lumière LED flexible, sortie à 360°
 A41 I3.D25



Temperature de couleur **CCT**
 2300K | 2700K | 3000K | 4000K | DW 2300K - 4000K | R / G / B / Y

Precision de couleur & IRC **Color consistency & CRI**
 OneBinOnly | 82 / 92+

Puissance lumineuse & Angle ouverture **Luminous output & Beam angle**
 (@4000K) 950 lm & 360°

Puissance **Power**
 15 w/m (2300K/2700K/3000K/4000K | DW | R/G/B/Y)

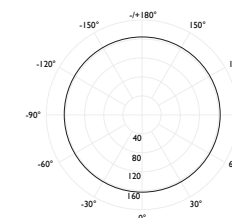
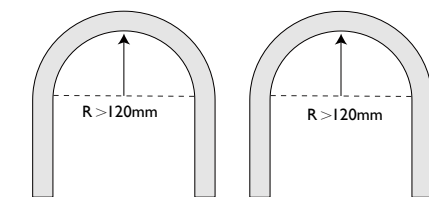
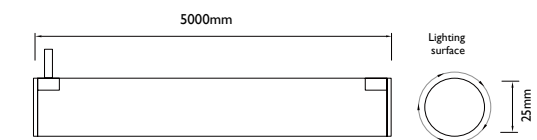
Coupe **Cutting Pace**
 500 mm (2300K/2700K/3000K/4000K)

Dimensions & Rayon courbure mini **Dimensions & min. bending radius**
 5000 x D25 mm | > 120 mm

Indices de protection & normes **Standards**
 IP65 | IK08 | LM80 | CE | UL Listed
 Flame resistant - UV resistant - Solvent resistant - Saltwater resistant

Tension alimentation & Classe isolation **Input voltage & Class**
 24Vdc | class III

Température d'utilisation **Ambient temperature**
 - 20°C / + 40°C



CCT & luminous flux

2300K	850 lm/m	823/923
2700K	950 lm/m	827/927
3000K	950 lm/m	830/930
4000K	950 lm/m	840/940

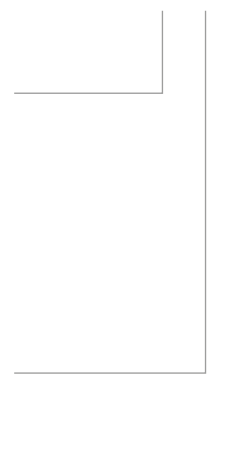
2300K/4000K 375+375 lm/m **DW**

Red	620/630 nm	R
Green	525/530 nm	G
Blue	465/470 nm	B
Yellow	587/592 nm	Y

IP Rating
 IP 65 **IP65**

Dimming
 No dimming **HF**
 Dali **DALI**
 Dmx **DMX**
 Dimming I to 10VDC **D10**
 Phase Dimming Digital **PHA**

A41 I3.D25.930.IP65.DALI

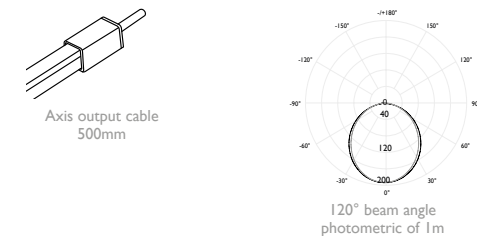
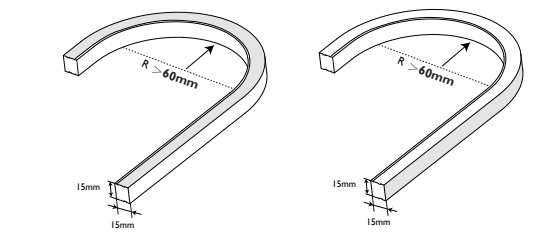
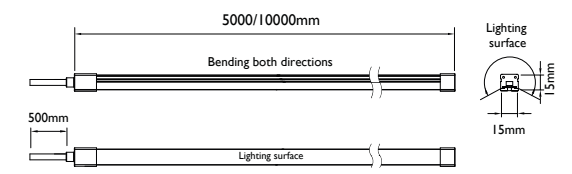


NEO 3D

Flexible Uniform LED light line bendable both sides
 Ligne LED professionnelle flexible dans les 2 sens
A4113.1515



Temperature de couleur CCT 2300K - 2800K - 3200K - 4400K R / G / B / Y
Precision de couleur & IRC Color consistency & CRI OneBinOnly 82 / 92+
Puissance lumineuse & Angle ouverture Luminous output & Beam angle (@3200K) 510 lm & 120°
Puissance Power 8 w/m
Coupe Cutting pace 41.66 mm
Dimensions & Rayon courbure mini Dimensions & min. bending radius 5000 x 15 x 15 mm > 60 mm
Indices de protection & normes Standards IP67 IK08 LM80 CE UL Listed Flame resistant - UV resistant - Solvent resistant - Saltwater resistant
Tension alimentation & Classe isolation Input voltage & Class 24Vdc class III
Température d'utilisation Ambient temperature - 20°C / + 40°C



CCT & luminous flux			A4113.1515.828.IP67.DALI
2300K	450 lm	823/923	[Diagram showing CCT and flux options]
2800K	510 lm	828/928	
3200K	510 lm	832/932	
4400K	500 lm	844/944	
Red	620/630 nm	R	[Diagram showing color options]
Green	525/530 nm	G	
Blue	465/470 nm	B	
Yellow	587/592 nm	Y	
IP Rating IP 67		IP67	[Diagram showing IP rating]
Dimming No dimming		HF	
Dali		DALI	
Dmx		DMX	
Dimming I to 10VDC Phase dimming digital		D10 PHA	



NEO TOP

Dot-free flexible LED light line, top bend
 Ligne LED lumineuse opal flexible sans ponctuation
 A4114.1312



Temperature de couleur CCT
 2300K - 2700K - 3000K - 4000K | DW 2700/5000K
 R / G / B / Y | RGB | RGBW | RGBX

Precision de couleur & IRC Color consistency & CRI
 OneBinOnly | 82/92+

Puissance lumineuse & Angle ouverture Luminous output & Beam angle
 (@4000K) 620 lm & 110°

Puissance Power
 11w/m (2300K/2700K/3000K/4000K) | 14w/m (DW)
 9w/m (R/G/B/Y) | 13w/m (RGB) | 17w/m (RGBW) | 21w/m (RGBX)

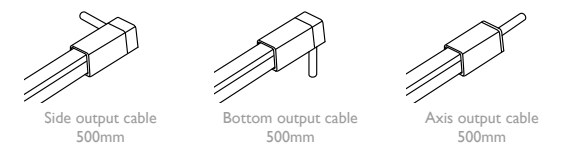
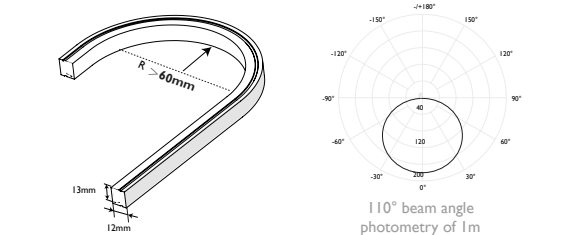
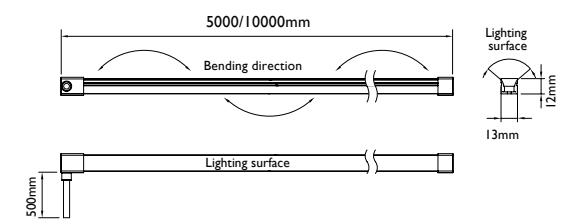
Coupe Cutting pace
 50mm (2300K/2700K/3000K/4000K) | 31.25mm (DW)
 50mm (R/G/B/Y) | 83mm (RGB) | 62.5mm (RGBW) | 71.43mm (RGBX)

Dimensions & Rayon courbure mini Dimensions & min. bending radius
 (10m possible for W & R/G/B/Y) 5000 x 13 x 12 mm | > 60 mm

Indices de protection & normes Standards
 IP67 | IK08 | LM80 | CE | UL Listed
 Flame Resistant - UV Resistant - Solvent Resistant - Saltwater Resistant

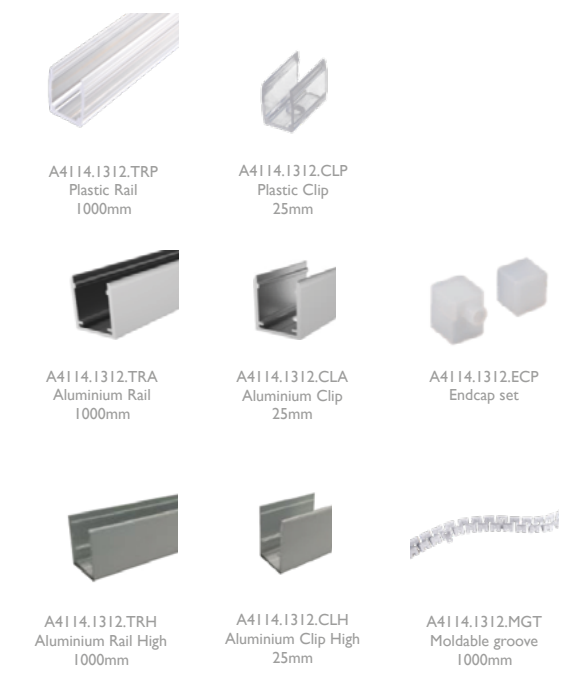
Tension alimentation & Classe isolation Input voltage & Class
 24Vdc | class III

Température d'utilisation Ambient temperature
 - 20°C / + 40°C



A4114.1312.DW

CCT & luminous flux		
2300K	600 lm/m	823/923
2700K	600 lm/m	827/927
3000K	620 lm/m	830/930
4000K	620 lm/m	840/940
2700K/5000K	2x300 lm/m	DW
Red	620/630 nm	R
Green	525/530 nm	G
Blue	465/470 nm	B
Yellow	587/592 nm	Y
RGB		RGB
RGBW 2700K		RGB27
RGBW 3500K		RGB35
RGBW 4500K		RGB45
RGBW 5000K		RGB50
RGBX pixel		RGBX
12 pixels/m and 36 adresses/m		



NEO TOP DISTANCE

Flexible Uniform LED light line, top bending, up to 50m
 Ligne lumineuse LED opal flexible, jusqu'à 50m
A4114.1515D



Temperature de couleur CCT
 2300K - 2700K - 3000K - 4000K

Precision de couleur & IRC Color consistency & CRI
 OneBinOnly | 82/92+

Puissance lumineuse & Angle ouverture Luminous output & Beam angle
 (@3200K) 800 lm (10w) | 250 lm (6w) & 110°

Puissance Power
 10w/m | 6w/m

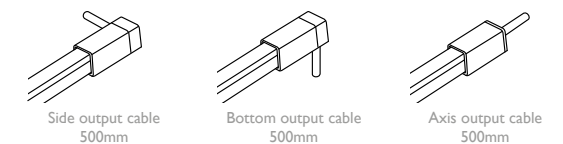
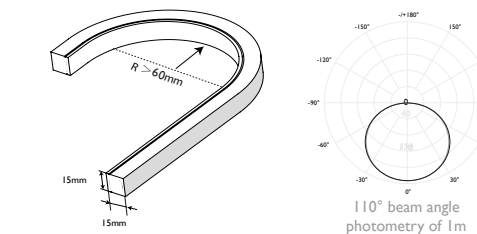
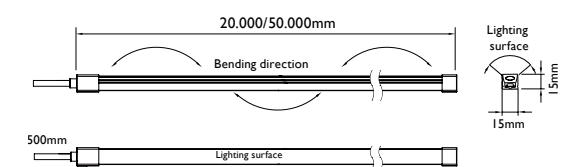
Coupe Cutting pace
 100 mm

Dimensions & Rayon courbure mini Dimensions & min. bending radius
 50000 x 15 x 15 mm (6w/m) | 20000 x 15 x 15 mm (10w/m) | > 60 mm

Indices de protection & normes Standards
 IP67 - IK08 - LM80 - CE - UL Listed
 Flame resistant - UV resistant - Solvent resistant - Saltwater resistant

Tension alimentation & Classe isolation Input voltage & Class
 48Vdc - class III

Température d'utilisation Ambient temperature
 - 20°C / + 40°C



CCT & luminous flux

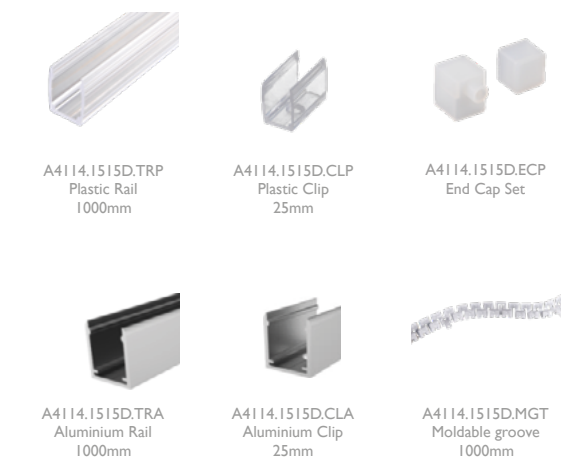
	10w/m-20m	6w/m-50m	
2300K	280 lm/m	210 lm/m	923
2700K	330 lm/m	240 lm/m	927
3000K	350 lm/m	250 lm/m	930
4000K	350 lm/m	250 lm/m	940

IP Rating
 IP 67

Dimming
 No dimming
 Dali
 Dmx
 Dimming I to 10VDC
 Phase dimming digital

A4114.1515D.930.IP67.DALI

IP67
 HF
 DALI
 DMX
 D10
 PHA



NEO TOP 3 SIDES

Dot-free flexible 3 sides emitting opal line
 Ligne lumineuse opal flexible sur 3 côtés, sans ponctuation
 A4114.1312U



Temperature de couleur CCT
 2300K - 2700K - 3000K - 4000K - 5000K

Precision de couleur & IRC Color consistency & CRI
 OneBinOnly | 82/92+

Puissance lumineuse & Angle ouverture Luminous output & Beam angle
 (@4000K) 800 lm & 210°

Puissance Power
 12w/m

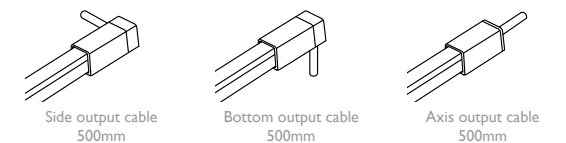
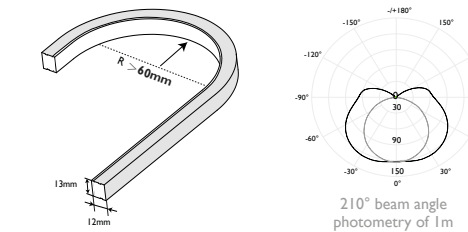
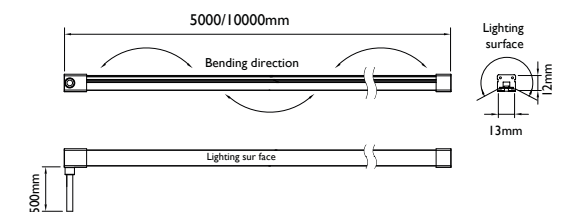
Coupe Cutting pace
 38.50 mm

Dimensions & Rayon courbure mini Dimensions & min. bending radius
 (10m possible) 5000 x 13 x 12 mm | > 60 mm

Indices de protection & normes Standards
 IP67 - IK08 - LM80 - CE - UL Listed
 Flame resistant - UV resistant - Solvent resistant - Saltwater resistant

Tension alimentation & Classe isolation Input voltage & Class
 24Vdc - class III

Température d'utilisation Ambient temperature
 - 20°C / + 40°C



CCT & luminous flux

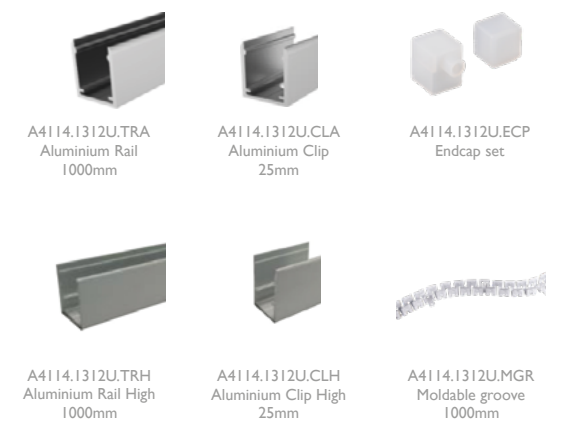
2300K	750 lm/m
2700K	750 lm/m
3000K	800 lm/m
4000K	800 lm/m
5000K	800 lm/m

IP Rating
 IP 67

Dimming
 No dimming
 Dali
 Dmx
 Dimming I to 10VDC
 Phase dimming digital

A4114.1312U.930.IP67.DALI

823/923
827/927
830/930
840/940
850/950
IP67
HF
DALI
DMX
D10
PHA

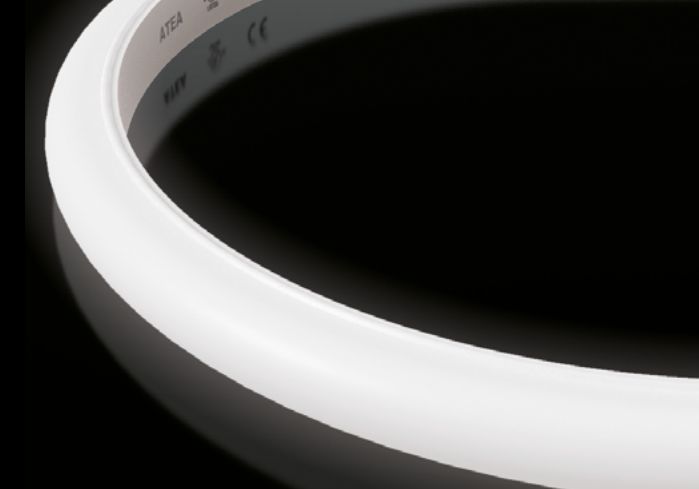


NEO TOP DOME

Wide beam 210° flexible light line

Ligne LED flexible faisceau 210°

A4114.1615



Temperature de couleur CCT
2300K - 2700K - 3000K - 3700K - 5000K | RGB

Precision de couleur & IRC Color consistency & CRI
OneBinOnly | 82 / 95+

Puissance lumineuse & Angle ouverture Luminous output & Beam angle
(@4000K) 820 lm & 210°

Puissance Power
15w/m (RGB) | 12 w/m (W)

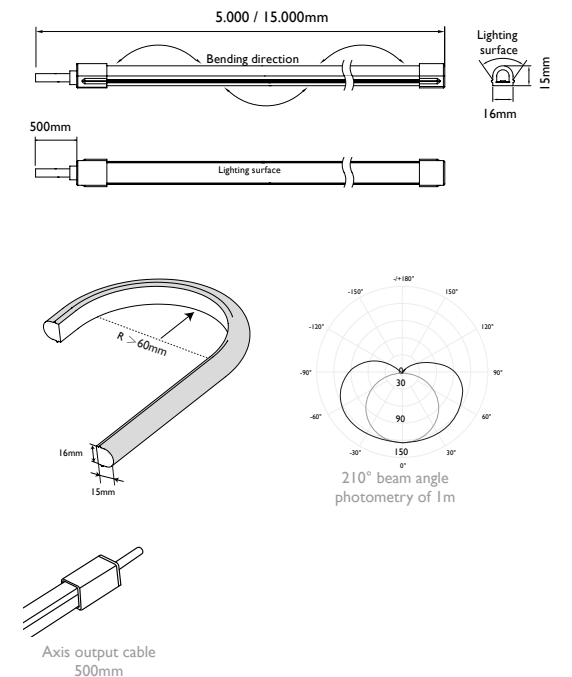
Coupe Cutting pace
50mm (RGB) | 41.66mm (W)

Dimensions & Rayon courbure mini Dimensions & min. bending radius
(15m possible) 5000 x 16 x 15 mm | > 60 mm

Indices de protection & normes Standards
IP67 | IK08 | LM80 | CE | UL Listed
Flame resistant - UV resistant - Solvent resistant - Saltwater resistant

Tension alimentation & Classe isolation Input voltage & Class
24 Vdc | class III

Température d'utilisation Ambient temperature
- 20°C / + 40°C



CCT and luminous flux

2300K	750 lm/m
2700K	780 lm/m
3000K	800 lm/m
3700K	820 lm/m
5000K	800 lm/m

RGB

IP Rating
IP 67

Dimming

No dimming
Dali
Dmx
Dimming I to 10VDC
Phase dimming digital

A4114.1615.930.IP67.DALI

823/923
827/927
830/930
837/937
850/950

RGB

IP67

HF

DALI

DMX

D10

PHA



NEO TOP POOL

Flexible LED Light Line, top bend, suitable for underwater
 Ligne LED flexible, adaptée à l'immersion
A4114.1515P



Temperature de couleur CCT
 2300K - 2700K - 3000K - 4000K | DW 2300K/4000K
 R / G / B / Y | RGB

Precision de couleur & IRC Color consistency & CRI
 OneBinOnly | 92

Puissance lumineuse & Angle ouverture Luminous output & Beam angle
 (@4000K) 430 lm (10w) & 110°

Puissance Power
 10w/m (2300K/2700K/3000K/4000K/DW) | 8w/m (R/G/B/Y) | 12w/m (RGB)

Coupe Cutting pace
 50mm (2300K/2700K/3000K/4000K/R/G/B/Y) | 62.5mm (DW) | 80mm (RGB)

Dimensions & Rayon courbure mini Dimensions & min. bending radius
 (10m possible for W & R/G/B/Y) 5000 x 15 x 15 mm | > 60 mm

Indices de protection & normes Standards
 IP68 - IK08 - LM80 - CE - UL Listed
 Flame resistant - UV resistant - Solvent resistant - Saltwater resistant

Tension alimentation & Classe isolation Input voltage & Class
 24Vdc - class III

Température d'utilisation Ambient temperature
 - 20°C / + 40°C



A4114.1515P.930.IP68.DALI

CCT & luminous flux

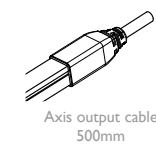
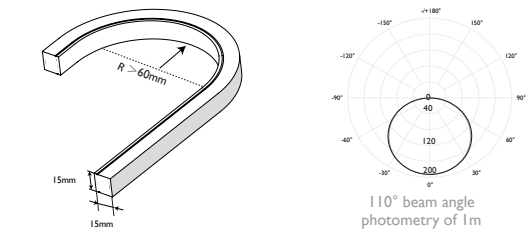
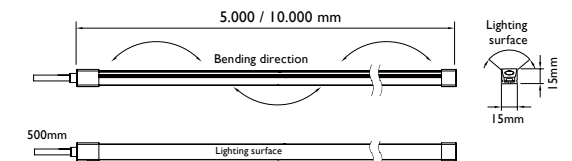
2300K	330 lm/m	923
2700K	400 lm/m	927
3000K	430 lm/m	930
4000K	430 lm/m	940

2300K-4000K 2x190 lm/m DW

Red	620/630 nm	R
Green	525/530 nm	G
Blue	465/470 nm	B
Yellow	587/592 nm	Y
RGB		RGB

IP Rating
 IP 68

No dimming	HF
Dali	DALI
Dmx	DMX
Dimming I to 10VDC	DI0
Phase dimming digital	PHA



NEO SIDE

Dot free flexible LED light line, side bend
Ligne lumineuse LED opal flexible latéralement
A4115.1217



Temperature de couleur CCT
2300K - 2700K - 3000K - 4000K - 6000K | DW 2300/4000K DW | 2700/6000K
R / G / B / Y | RGB | RGBW | RGBX

Precision de couleur & IRC Color consistency & CRI
OneBinOnly | 82/92+

Puissance lumineuse & Angle ouverture Luminous output & Beam angle
(@4000K) 520 lm & 110°

Puissance Power
10w/m (2300K/2700K/3000K/4000K/6000K) | 12w/m (DW)
8w/m (R/G/B/Y) | 13w/m (RGB) | 17w/m (RGBW) | 18w/m (RGBX)

Coupe Cutting pace
50mm (2300K/2700K/3000K/4000K/6000K) | 100mm (DW)
50mm (R/G/B/Y) | 83mm (RGB) | 62.5mm (RGBW) | 71.43mm (RGBX)

Dimensions & Rayon courbure mini Dimensions & min. bending radius
(10m possible for W & R/G/B/Y) 5000 x 12 x 17 mm | > 60 mm

Indices de protection & normes Standards
IP67 | IK08 | LM80 | CE | UL Listed
Flame Resistant - UV Resistant - Solvent Resistant - Saltwater Resistant

Tension alimentation & Classe isolation Input voltage & Class
24Vdc | class III

Température d'utilisation Ambient temperature
- 20°C / + 40°C



A4115.1217.930.IP67.DALI

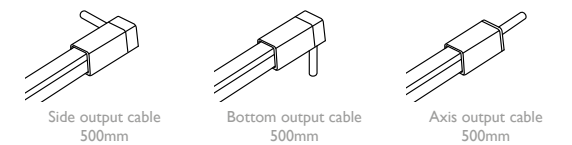
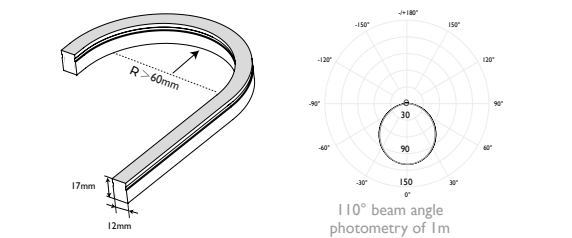
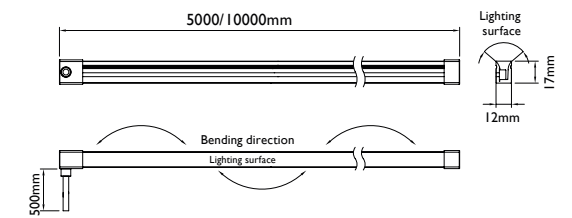
CCT & luminous flux

2300K	510 lm/m	823/923
2700K	520 lm/m	827/927
3000K	520 lm/m	830/930
4000K	520 lm/m	840/940
5000K	460 lm/m	850/950

2300K/4000K	2x325 lm/m	DWW
2700K/6000K	2x325 lm/m	DWC

Red	620-630 nm	R
Green	525-530 nm	G
Blue	465-470 nm	B
Yellow	587-592 nm	Y

RGB	RGB
RGBW 2700K	RGB27
RGBW 3000K	RGB30
RGBW 4500K	RGB45
RGBW 5000K	RGB50
RGBX Pixel	RGBX



NEO SIDE SLIM4

Flexible Uniform LED Light Line, side bend, 4mm
 Ligne LED Flexible latéralement, largeur 4 mm
 A4115.0410



Temperature de couleur CCT
 2300K - 2700K - 3000K - 4000K | DW 2300K/4000K
 R / G / B / Y

Precision de couleur & IRC Color consistency & CRI
 OneBinOnly | 92+

Puissance lumineuse & Angle ouverture Luminous output & Beam angle
 (@4000K) 270 lm & 110°

Puissance Power
 8w/m

Coupe Cutting pace
 41.66mm (2300K/2700K/3000K/4000K)
 31.25mm (DW) | 41.66mm (R/G/B/Y)

Dimensions & Rayon courbure mini Dimensions & min. bending radius
 5000 x 04 x 10mm | >30mm

Indices de protection & normes Standards
 IP67 | IK06 | LM80 | CE | UL Listed
 Flame resistant - UV resistant - Solvent resistant - Saltwater resistant

Tension alimentation & Classe isolation Input voltage & Class
 24Vdc | class III

Température d'utilisation Ambient temperature
 - 20°C / + 40°C



A4115.0410.930.IP67.DALI

CCT & luminous flux

2300K	240 lm/m	923
2700K	240 lm/m	927
3000K	240 lm/m	930
4000K	270 lm/m	940

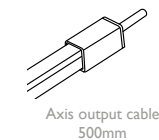
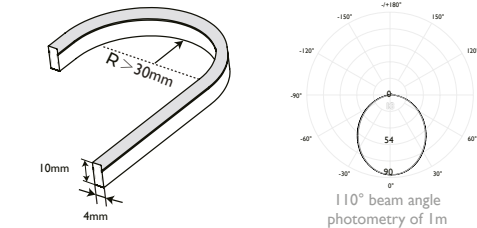
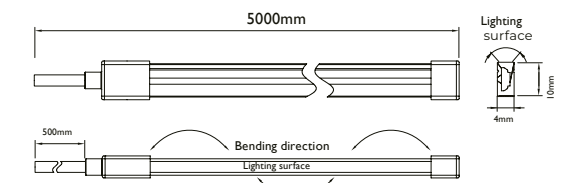
2300K/4000K	2x85 lm/m	DW
-------------	-----------	----

Red	620-630 nm	R
Green	525-530 nm	G
Blue	465-470 nm	B
Yellow	587-592 nm	Y

IP Rating
 IP67

Dimming
 No dimming
 Dali
 Dmx
 Dimming I to 10VDC
 Phase dimming digital

HF
 DALI
 DMX
 D10
 PHA



NEO SIDE SLIM6

Flexible Uniform LED Light Line, side bend, 6mm
 Ligne LED flexible latéralement largeur 6 mm
 A4115.0612



Temperature de couleur CCT
 2300K - 2700K - 3000K - 4000K | DW 2300K/4000K
 R / G / B / Y

Precision de couleur & IRC Color consistency & CRI
 OneBinOnly | 92+

Puissance lumineuse & Angle ouverture Luminous output & Beam angle
 (@4000K - 0612) 280 lm & 110°

Puissance Power
 0612 - 10w/m (2300K/2700K/3000K/4000K/DW) 8w/m (R/G/B/Y)
 0612D - 6w/m (2300K/2700K/3000K/4000K)

Coupe Cutting pace
 50mm (2300K/2700K/3000K/4000K)
 62.50mm (DW) 50mm (R/G/B/Y)

Dimensions & Rayon courbure mini Dimensions & min. bending radius
 (30m possible for 0612D) 5000 x 06 x 12mm | >30mm

Indices de protection & normes Standards
 IP67 | IK06 | LM80 | CE | UL Listed
 Flame resistant - UV resistant - Solvent resistant - Saltwater resistant

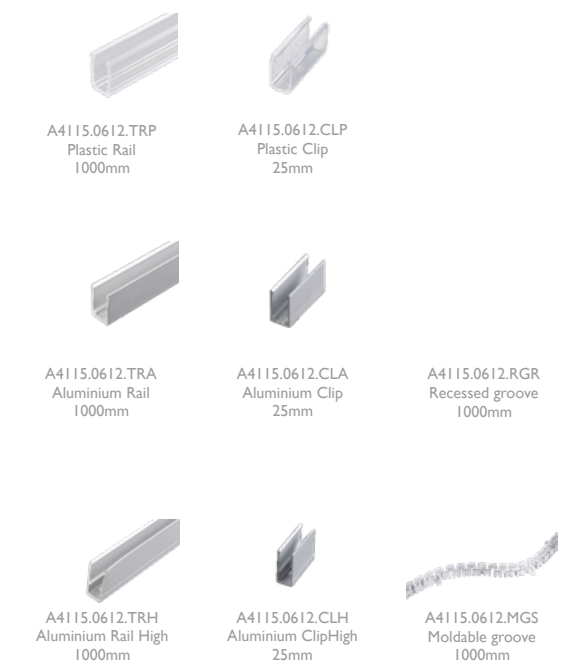
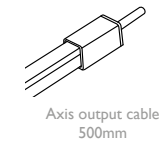
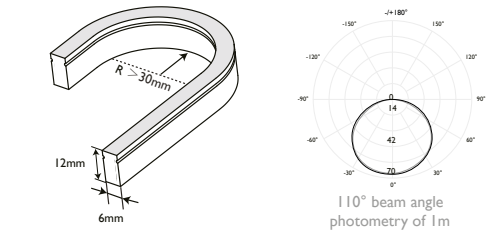
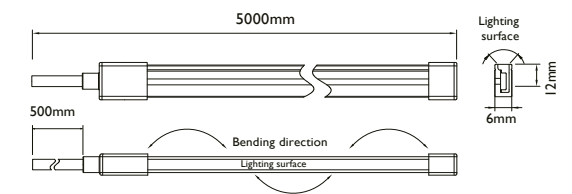
Tension alimentation & Classe isolation Input voltage & Class
 24Vdc (0612) | 48Vdc (0612D) | class III

Température d'utilisation Ambient temperature
 - 20°C / + 40°C



A4115.0612D.930.IP67.DALI

Length	24Vdc		48Vdc		CCT	Luminous flux	IP Rating
	24Vdc	48Vdc distance	24Vdc	48Vdc			
5m					0612		
30m					0612D		
	2300K	250 lm/m	150 lm/m		823/923		
	2700K	280 lm/m	150 lm/m		827/927		
	3000K	280 lm/m	170 lm/m		830/930		
	4000K	280 lm/m	190 lm/m		840/940		
	2300K/4000K	2x140 lm/m			DW		
	Red	620/630 nm			R		
	Green	525/530 nm			G		
	Blue	465/470 nm			B		
	Yellow	587/592 nm			Y		
	IP 67				IP67		

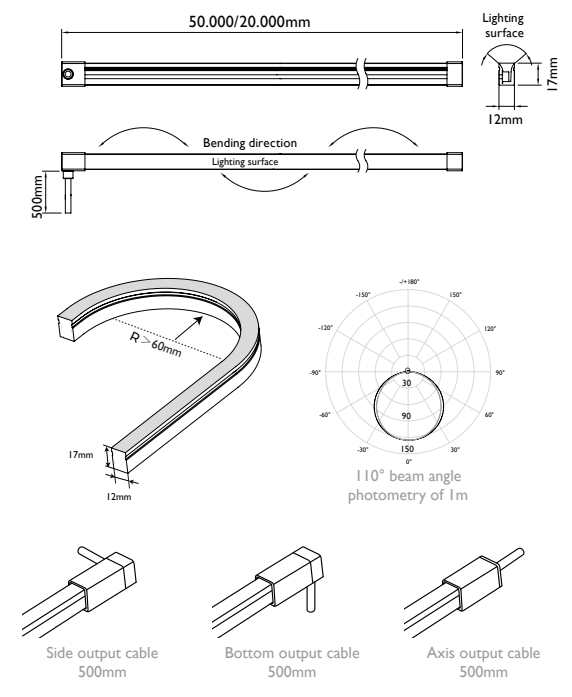


NEO SIDE DISTANCE

Flexible LED Light Line, side bend, 48V, 50m in one run
 Ligne LED flexible latéralement, 48V, jusqu'à 50m
 A4115.1217D

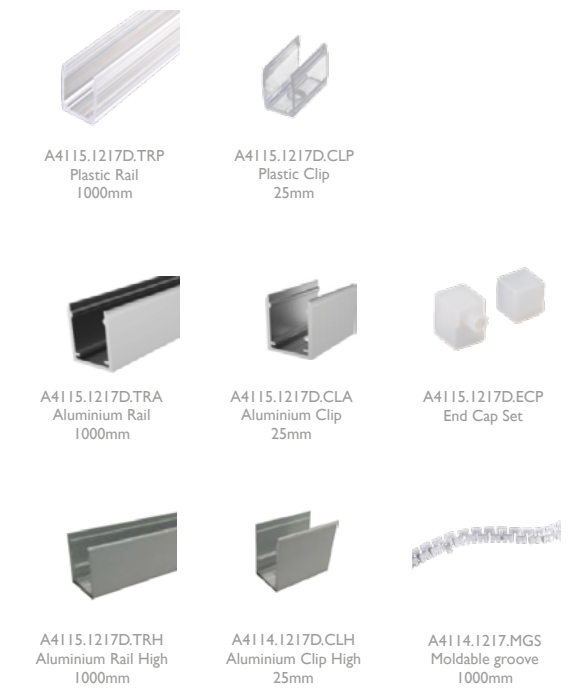


Temperature de couleur CCT	
2300K 2700K 3000K 4000K DW 2300K/4000K R/G/B RGB RGBW	
Precision de couleur & IRC Color consistency & CRI	
OneBinOnly 82/92+	
Puissance lumineuse & Angle ouverture Luminous output & Beam angle	
(@4000K) 400 lm (10w/m) 240 lm (6w/m) & 110°	
Puissance Power	
6w/m (2300K/2700K/3000K/4000K)	
10w/m (2300K/2700K/3000K/4000K DW R/G/B RGB RGBW)	
Coupe Cutting pace	
100mm (2300K/2700K/3000K/4000K) 62.5mm (DW)	
100mm (R/G/B/Y & RGB) 125mm (RGBW)	
Dimensions & Rayon min. courbure Dimensions & min. bending radius	
50000 x 12 x 17mm (6w/m) 20000 x 12 x 17mm (10w/m) >60mm	
Indices de protection & normes Standards	
IP67 IK08 LM80 CE UL Listed	
Flame resistant - UV resistant - Solvent resistant - Saltwater resistant	
Tension alimentation & Classe isolation Input voltage & Class	
48Vdc class III	
Température d'utilisation Ambient temperature	
- 20°C / + 40°C	



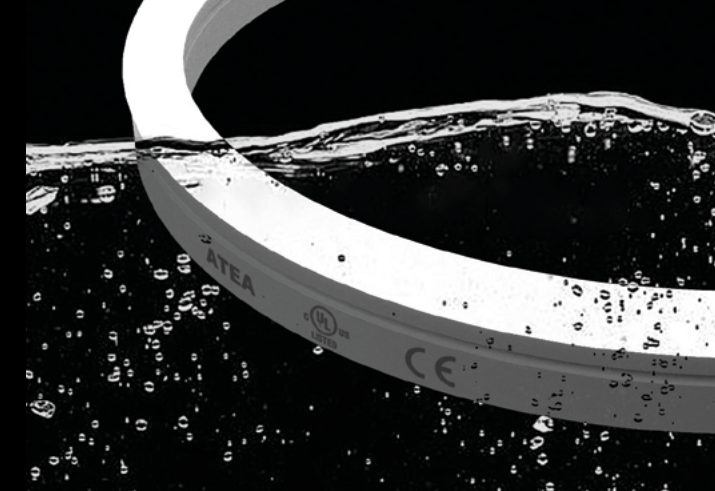
A4115.1217D.930.IP67.DALI

CCT & luminous flux			
	6w/m-50m	10w/m-20m	
2300K	200 lm/m	340 lm/m	923
2700K	220 lm/m	238 lm/m	927
3000K	220 lm/m	380 lm/m	930
4000K	240 lm/m	400 lm/m	940
2300K/4000K	2x170 lm/m		DW
Red	620/630 nm		R
Green	525/530 nm		G
Blue	465/470 nm		B
RGB			RGB
RGBW 2300K			RGB23
RGBW 2700K			RGB27
RGBW 3000K			RGB30
RGBW 4000K			RGB40
RGBX Pixel			RGBX



NEO SIDE POOL

Flexible LED Light Line, side bend, suitable for underwater
 Ligne LED flexible latéralement, adaptée à l'immersion
A41 I5.1224P



Temperature de couleur CCT
 2300K - 2700K - 3200K - 4200K - 5000K
 R / G / B / Y | RGB

Precision de couleur & IRC Color consistency & CRI
 OneBinOnly | 82 / 92+

Puissance lumineuse & Angle ouverture Luminous output & Beam angle
 (@4200K) 520 lm & 140°

Puissance Power
 10w/m (2300K/2700K/3200K/4200K/5000K)
 8w/m (R/G/B/Y) | 12w/m (RGB)

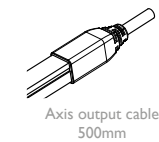
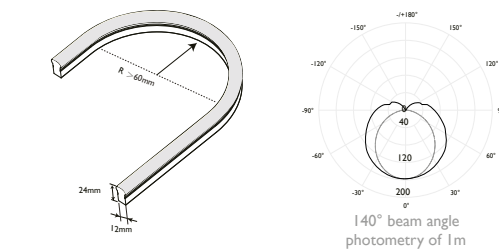
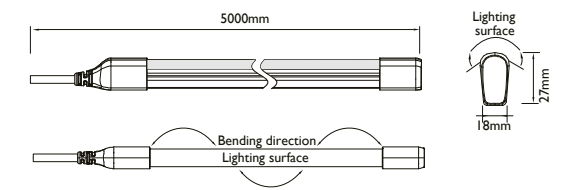
Coupe Cutting pace
 50mm (2300K/2700K/3200K/4200K/5000K | R/G/B/Y) | 83mm (RGB)

Dimensions & Rayon courbure mini Dimensions & min. bending radius
 (10 m possible for W & R/G/B/Y) | 5000 x 12 x 24 mm | > 60 mm

Indices de protection & norme Standards
 IP68 | IK08 | LM80 | CE | UL Listed
 Flame resistant - UV resistant - Solvent resistant - Saltwater resistant

Tension alimentation & Classe isolation Input voltage & Class
 24Vdc | class III

Température d'utilisation Ambient temperature
 - 20°C / + 40°C



A41 I5.1224P.932.IP68.DALI

CCT & luminous flux

2300K	510 lm/m	823/923
2700K	520 lm/m	827/927
3200K	520 lm/m	832/932
4200K	520 lm/m	842/942
5000K	490 lm/m	850/950

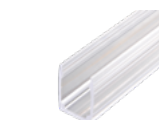
Red	620/630 nm	R
Green	525/530 nm	G
Blue	465/470 nm	B
Yellow	587/592 nm	Y
RGB		RGB

IP Rating

IP68	IP68
------	------

Dimming

No dimming	HF
Dali	DALI
Dmx	DMX
Dimming I to 10VDC	D10
Phase dimming digital	PHA



A41 I5.1224PTRP
Plastic Rail
1000mm



A41 I5.1224PCLP
Plastic Clip
25mm



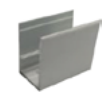
A41 I5.1224PTRA
Aluminium Rail
1000mm



A41 I5.1224PCLA
Aluminium Clip
25mm



A41 I5.1224PTRH
Aluminium Rail High
1000mm



A41 I4.1224PCLH
Aluminium Clip High
25mm



A41 I4.1224PMGS
Moldable groove
1000mm





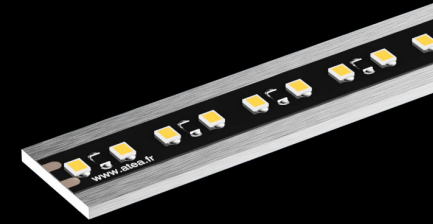
PROFILES

FLEX	83	CENTO	106
COVA	85	CENTOT	107
TOTEM XL	86	ASTRO T	109
TOTEM	87	ALPHA T	110
CAMPUS	88	SAXOT	111
CAMPUS HIGH	89	COBET	112
LITTLE	91	SOLO	113
CAMPUS MINI	92	BELINI	114
COBE H MINI	93	BELINI XL	115
ROMULUS MINI	95	TRIO	116
ROMULUS	96	SOFIA	117
ROMULUS XL	97	ANGEL	118
COBE H	98	CORNER	119
TRENTO	99	SOLO XL	121
SINI T	100	STEP UP & STEP DOWN	122
SINI	101	FONDO	123
ALPHA	102	ORION	124
ALPHA XL	103	ODIN	125
SAXO	104	OLYMPE XL	126
OCTO	105	OSCAR	127
		URUS	128

FLEX

Flexi profile for cove lighting
 Profil aluminium flexible pour gorge lumineuse

A3953



Puissance maxi Power max
 15 w/m

Dimensions Dimensions
 16 x 2 mm

Longueur maximale Max.length
 2000 mm

Température d'utilisation Ambient temp.
 - 10°C / + 40°



A3953.C9.IP20.00.DALI

Type of led

Pure CRI99	A4199	C99
UltraCRI	A4101	CR
Dynamic White	A4102	DW
Regular	A4109	C9
RGB	A4106	RGB
RGB+W	A4107	RGBW
RGB+2W	A4117	RGB2W

IP Rating

IP20	IP20
IP54	IP54
IP65H	IP65

Finishes

Aluminium anodised silver	00
Aluminium anodised black	04

Dimming

No dimming	HF
Dali	DALI
Dmx	DMX
Dimming & to 10Vdc	D10
Phase Dimming Digital	PHD



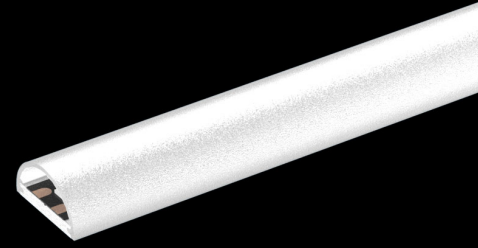
A3953.04
 Profile Black



A3953.CLIP
 Clips

Flexible profile with diffusor for cove lighting
 Profil flexible avec diffuseur pour gorge lumineuse

39108



Puissance maxi **Power max**
20 w/m

Dimensions **Dimensions**
13.8 x 2 mm (16 x 8 mm with optic)

Longueur maximale **Max.length**
2000 mm

Température d'utilisation **Ambiant temp.**
-10°C / +40°C



A39108.C9.IP20.00.OP.DALI

Type of led

Pure CRI99	A4199	C99
UltraCRI	A4101	CR
Dynamic White	A4102	DW
Regular	A4109	C9
RGB	A4106	RGB
RGB+W	A4107	RGBW
RGB+2W	A4117	RGB2W

IP Rating

IP20	IP20
IP54	IP54
IP65H	IP65

Finishes

Aluminium anodised silver	00
Aluminium anodised black	04

Cover & Optic

Opal	OP
------	----

Dimming

No dimming	HF
Dali	DALI
Dmx	DMX
Dimming & to 10Vdc	D10
Phase Dimming Digital	PHD



TOTEM XL

Profile with range of optics
Profil avec gamme d'optiques

A3950



TOTEM

Profile with range of optics
Profil aluminium avec gamme d'optiques

A3952

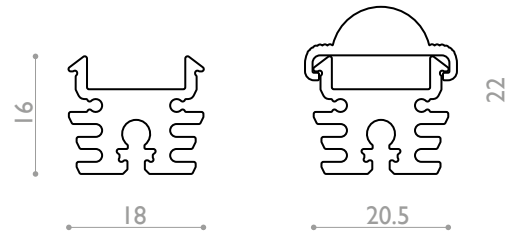


Puissance maxi Power max
40 w/m

Dimensions Dimensions
18 x 16 mm (20.5 x 23 mm with optic)

Longueur maximale Max.length
2000 mm

Température d'utilisation Ambient temp.
- 10°C / + 40°C

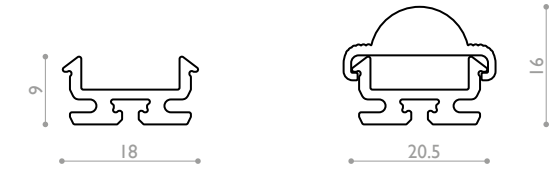


Puissance maxi Power max
24 w/m

Dimensions Dimensions
18 x 16 mm (20.5 x 16 mm with optic)

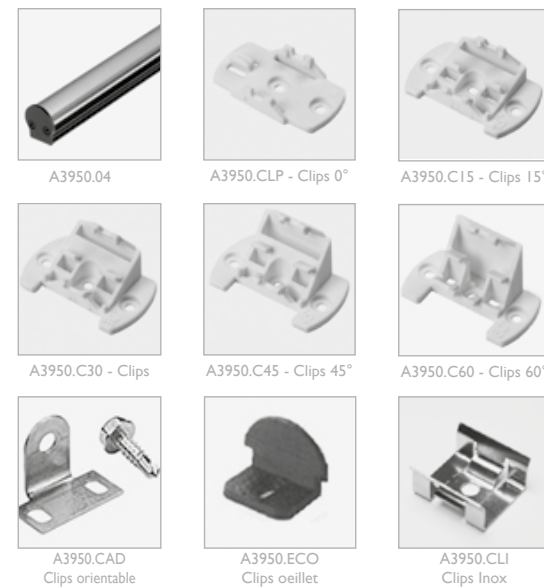
Longueur maximale Max.length
2000 mm

Température d'utilisation Ambient temp.
- 10°C / + 40°C



A3950.C9.IP20.00.F30.DALI

Type of led		
Pure CRI99	A4199	C99
UltraCRI	A4101	CR
Dynamic White	A4102	DW
Regular	A4109	C9
RGB	A4106	RGB
RGB+W	A4107	RGBW
RGB+2W	A4117	RGB2W
High Efficacy	A4111	HE
Ultra Efficacy	A4116	UE
IP Rating		
IP20		IP20
IP54		IP54
IP65H		IP65
IP65R Resin		IP65R
Finishes		
Aluminium anodised silver		00
Aluminium anodised black		04
Cover & Optic		
Opal		OP
Frost		FR
Frost 15°		F15
Frost 30°		F30
Frost 60°		F60
Frost 90°		F90
Batwings		BAT
Asymetric 30°		AS30
Dimming		
No dimming		HF
Dali		DALI
Dmx		DMX
Dimming & to 10Vdc		D10
Phase Dimming Digital		PHD



A3952.C9.IP20.00.F30.DALI

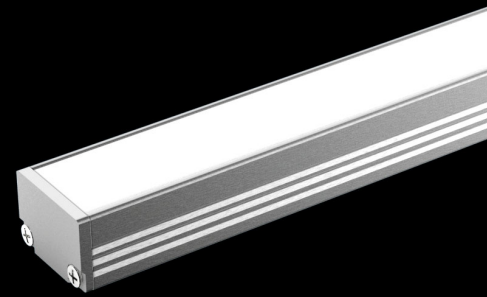
Type of led		
Pure CRI99	A4199	C99
UltraCRI	A4101	CR
Dynamic White	A4102	DW
Regular	A4109	C9
RGB	A4106	RGB
RGB+W	A4107	RGBW
RGB+2W	A4117	RGB2W
High Efficacy	A4111	HE
IP Rating		
IP20		IP20
IP54		IP54
IP65H		IP65
IP65R Resin		IP65R
Finishes		
Aluminium anodised silver		00
Aluminium anodised black		04
Cover & Optic		
Opal		OP
Frost		FR
Frost 15°		F15
Frost 30°		F30
Frost 60°		F60
Frost 90°		F90
Batwings		BAT
Asymetric 30°		AS30
Dimming		
No dimming		HF
Dali		DALI
Dmx		DMX
Dimming & to 10Vdc		D10
Phase Dimming Digital		PHD



CAMPUS

Profile with optic
Profil aluminium avec optique

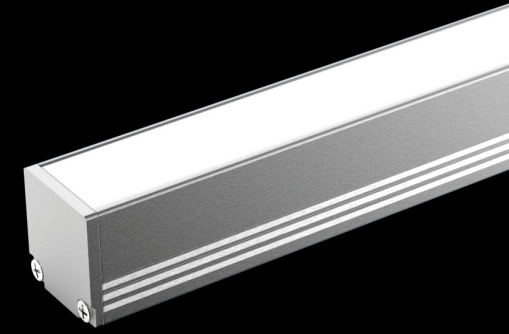
A3960



CAMPUS HIGH

Profile with optic
Profil aluminium avec optique

A3961

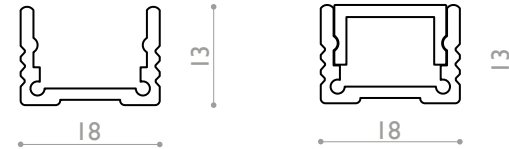


Puissance maxi **Power max**
24 w/m

Dimensions **Dimensions**
18 x 13 mm

Longueur maximale **Max.length**
3000 mm

Température d'utilisation **Ambiant temp.**
- 10°C / + 40°C

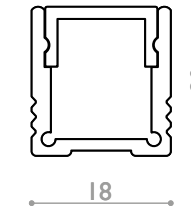


Puissance maxi **Power max**
30 w/m

Dimensions **Dimensions**
18 x 20 mm

Longueur maximale **Max.length**
3000 mm

Température d'utilisation **Ambiant temp.**
- 10°C / + 40°C



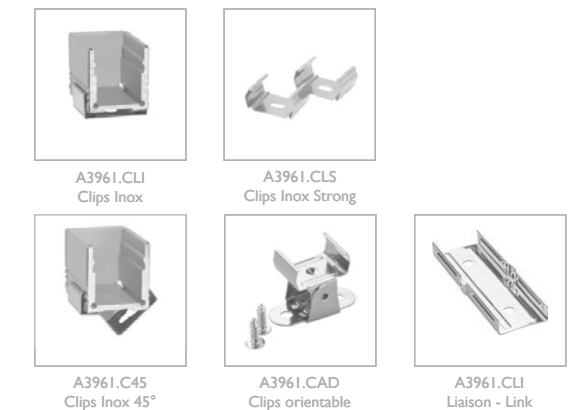
A3960.C9.IP20.00.OP.DALI

Type of led					
Pure CRI99	A4199	C99			
UltraCRI	A4101	CR			
Dynamic White	A4102	DW			
Regular	A4109	C9			
RGB	A4106	RGB			
RGB+W	A4107	RGBW			
RGB+2W	A4117	RGB2W			
High Efficacy	A4111	HE			
IP Rating					
IP20		IP20			
IP54		IP54			
IP65H		IP65			
Finishes					
Aluminium anodised silver		00			
Aluminium anodised black		04			
White ral9016 sat		16			
Cover & Optic					
Opal		OP			
Frost		FR			
Frost 30°		F30			
Prismatic UGR<19		PR			
Aluminium		AL			
Dimming					
No dimming		HF			
Dali		DALI			
Dmx		DMX			
Dimming & to 10Vdc		D10			
Phase Dimming Digital		PHD			



A3961.C9.IP20.00.OP.DALI

Type of led					
Pure CRI99	A4199	C99			
UltraCRI	A4101	CR			
Dynamic White	A4102	DW			
Regular	A4109	C9			
RGB	A4106	RGB			
RGB+W	A4107	RGBW			
RGB+2W	A4117	RGB2W			
High <Efficacy	A4111	HE			
Ultra Efficacy	A4116	UE			
IP Rating					
IP20		IP20			
IP54		IP54			
IP65H		IP65			
Finishes					
Aluminium anodised silver		00			
Aluminium anodised black		04			
White ral9016 sat		16			
Cover & Optic					
Opal		OP			
Frost		FR			
Prismatic UGR<19		PR			
Aluminium		AL			
Dimming					
No dimming		HF			
Dali		DALI			
Dmx		DMX			
Dimming & to 10Vdc		D10			
Phase Dimming Digital		PHD			



LITTLE

Very little profile
Profil miniature

A39109



Puissance maxi **Power max**
18 w/m

Dimensions **Dimensions**
8 x 8 mm

Longueur maximale **Max.length**
3000 mm

Température d'utilisation **Ambiant temp.**
- 10°C / + 40°C



A39109.S5.IP20.00.OP.DALI

Type of led (strip 5mm max)

Slim 5mm	A4110	S5
Slim 4mm	A4129	S4
Cob 4mm	A4130	COB4

IP Rating

IP20	IP20
IP54	IP54

Finishes

Aluminium anodised silver	00
Aluminium anodised black	04
White ral9016 sat	16

Cover & Optic

Opal	OP
------	----

Dimming

No dimming	HF
Dali	DALI
Dmx	DMX
Dimming & to 10Vdc	D10
Phase Dimming Digital	PHD



A39109.00



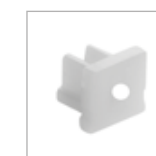
A39109.OPL
Diffusor opal



A39109.CLI
Clips



A39109.CAD
Clips orientable

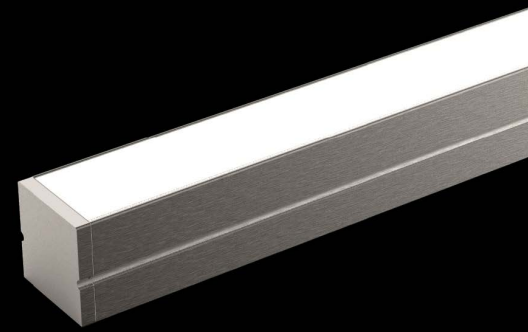


A39109.ECP
Endcap

CAMPUS MINI

Mini profile
Mini profil

A3972



COBE H MINI

Mini profile with optic
Mini profil aluminium avec optique

A3968

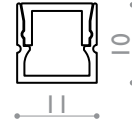


Puissance maxi Power max
12 w/m

Dimensions Dimensions
11 x 10 mm

Longueur maximale Max.length
3000 mm

Température d'utilisation Ambient temp.
- 10°C / + 40°C

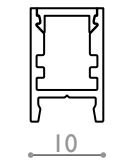


Puissance maxi Power max
12 w/m

Dimensions Dimensions
10 x 15 mm

Longueur maximale Max.length
3000 mm

Température d'utilisation Ambient temp.
- 10°C / + 40°C



A3972.C9.IP20.00.OP.DALI

Type of led (strip 8mm max)

Slim 5 A4110
CRI92 A4109

S5
C9

IP Rating

IP20
IP54
IP65H

IP20
IP54
IP65

Finishes

Aluminium anodised silver
Aluminium anodised black

00
04

Cover & Optic

Opal

OP

Dimming

No dimming
Dali
Dmx
Dimming & to 10Vdc
Phase Dimming Digital

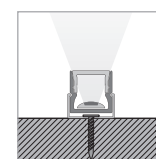
HF
DALI
DMX
D10
PHD



A3972.OP



A3972.247
Clips



A3968.C9.IP20.00.OP.DALI

Type of led (strip 6mm max)

Slim 5 A4110
CRI92 A4109

S5
C9

IP Rating

IP20
IP54
IP65H

IP20
IP54
IP65

Finishes

Aluminium anodised silver
Aluminium anodised black

00
04

Cover & Optic

Opal

OP

Dimming

No dimming
Dali
Dmx
Dimming & to 10Vdc
Phase Dimming Digital

HF
DALI
DMX
D10
PHD

ROMULUS MINI

Profile with IP65 diffusor
Profil avec diffuseur IP65

A39107



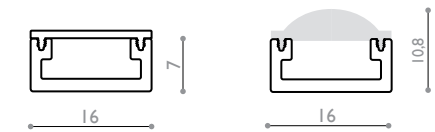
Puissance maxi Power max
24 w/m

Dimensions Dimensions
16 x 8.3 mm (16 x 10.8 mm with 30° optic)

Longueur maximale Max.length
3000 mm

Fil incandescent Glow wire test
Night&Day 650°C - Opal Frost 60° 850°C

Température d'utilisation Ambient temp.
- 10°C / + 40°C



A39107.C9.IP65.00.OP.DALI

Type of led (strip 10mm max)

CRI99	A4199	C99
UltraCRI	A4101	CR
Dynamic White	A4102	DW
CRI92	A4109	C9
RGB	A4106	RGB
RGBW	A4107	RGBW
RGB2W	A4117	RGB2W
High Efficacy	A4111	HE

IP Rating

IP20	IP20
IP54	IP54
IP65H	IP65

Finishes

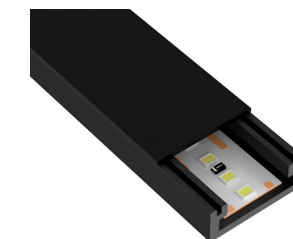
Aluminium anodised silver	00
Aluminium anodised black	04

Cover & Optic

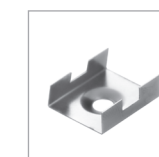
Opal	PC	OP
Frost	PC	FR
Optic 30°	PC	F30
Night & Day		ND

Dimming

No dimming	HF
Dali	DALI
Dmx	DMX
Dimming & to 10Vdc Phase	D10
Dimming Digital	PHD



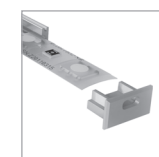
A39107.04.ND
Night & Day



A39107.LP10.3
Clips



A39107.LP04.2
Endcap + hole



A39107.OP/FR
Diffusor IP65 opal/fro



A39107.LP03.2
Endcap



A39107.LP03.3
Endcap for optic



A39107.OP/FR
Diffusor IP65 opal/fro

ROMULUS

Profile with IP65 diffusor
Profil avec diffuseur IP65

A39105



ROMULUS XL

Profile with IP65 diffusor
Profil avec diffuseur IP65

A39104



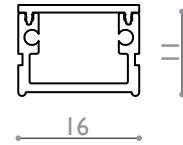
Puissance maxi Power max
30 w/m

Dimensions Dimensions
16 x 11 mm (16 x 14.8 mm with 30° optic)

Longueur maximale Max.length
3000 mm

Fil incandescent Glow wire test
Night&Day 650°C - Opal Frost 60° 850°C

Température d'utilisation Ambient temp.
- 10°C / + 40°C



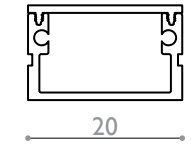
Puissance maxi Power max
35 w/m

Dimensions Dimensions
20 x 11 mm

Longueur maximale Max.length
3000 mm

Fil incandescent Glow wire test
Night&Day 650°C - Opal Frost 60° 850°C

Température d'utilisation Ambient temp.
- 10°C / + 40°C



A39105.C9.IP65.00.OP.DALI

Type of led		
CR199	A4199	C99
UltraCRI	A4101	CR
Dynamic White	A4102	DW
Standard	A4108	ST
CR192	A4109	C9
RGB	A4106	RGB
RGBW	A4107	RGBW
RGB2W	A4117	RGB2W
High Efficiency	A4111	HE
Ultra Efficiency	A4116	UE

IP Rating		
IP20		IP20
IP54		IP54
IP65H		IP65

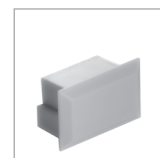
Finishes		
Aluminium anodised silver		00
Aluminium anodised black		04

Cover & Optic		
Opal	PC	OP
Frost	PC	FR
Frost 30°	PC	F30
Night & Day		ND

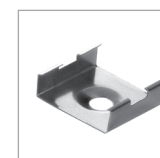
Dimming		
No dimming		HF
Dali		DALI
Dmx		DMX
Dimming & to 10Vdc Phase		D10
Dimming Digital		PHD



A39105.LP03.3
End cap for 30°



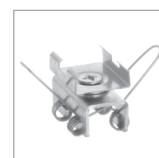
A39105.LP03.2
End cap



A39105.LP10.3
Clips*



A39105.00



A39105.LP140
Clips ressort

A39104.C9.IP65.00.OP.DALI

Type of led		
CR199	A4199	C99
UltraCRI	A4101	CR
Dynamic White	A4102	DW
Standard	A4108	ST
CR192	A4109	C9
RGB	A4106	RGB
RGBW	A4107	RGBW
RGB2W	A4117	RGB2W
High Efficiency	A4111	HE
Ultra Efficiency	A4116	UE

IP Rating		
IP20		IP20
IP54		IP54
IP65H		IP65

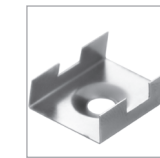
Finishes		
Aluminium anodised silver		00
Aluminium anodised black		04

Cover & Optic		
Opal	PC	OP
Frost	PC	FR
T60°	PC	T60
Night & Day		ND

Dimming		
No dimming		HF
Dali		DALI
Dmx		DMX
Dimming & to 10Vdc Phase		D10
Dimming Digital		PHD



A39104.00



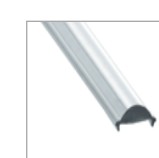
A39104.CLI
Clips



A39104.OP
Opal



A39104.SUS
Suspension



A39104.T60
Transparent 60°



A39104.ND
Night & Day

COBE H

Profile with optic
Profil aluminium avec optique

A3962



TRENTO

Profile with optics
Profil aluminium avec optiques

A3920

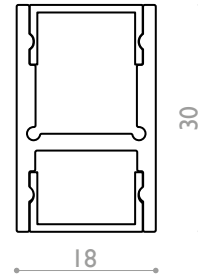


Puissance maxi Power max
32 w/m

Dimensions Dimensions
30 x 18 mm

Longueur maximale Max.length
3000 mm

Température d'utilisation Ambient temp.
- 10°C / + 40°C

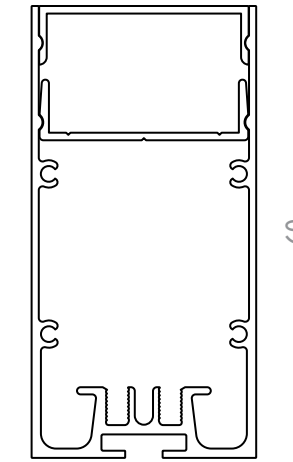


Puissance maxi Power max
40 w/m

Dimensions Dimensions
30 x 60 mm

Longueur maximale Max.length
3000 mm

Température d'utilisation Ambient temp.
- 10°C / + 40°C



A3962.C9.IP20.00.OP.DALI

Type of led		
Pure CRI99	A4199	C99
UltraCRI	A4101	CR
Dynamic White	A4102	DW
Regular	A4109	C9
RGB	A4106	RGB
RGB+W	A4107	RGBW
RGB+2W	A4117	RGB2W
High Efficacy	A4111	HE
Ultra Efficacy	A4116	UE
IP Rating		
IP20		IP20
IP54		IP54
IP65H		IP65
IP65R Resin		IP65R
Finishes		
Aluminium anodised silver		00
Aluminium anodised black		04
White ral9016 sat		16
Cover & Optic		
Opal		OP
Frost		FR
Frost 30°		F30
Aluminium		AL
Dimming		
No dimming		HF
Dali		DALI
Dmx		DMX
Dimming & to 10Vdc Phase		D10
Dimming Digital		PHD



A3962.04



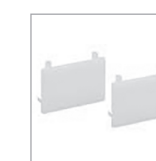
A3962.SUS -
Clips Inox

A3920.C9.IP20.00.PR.DALI

Type of led		
CR199	A4199	C99
UltraCRI	A4101	CR
Dynamic White	A4102	DW
Standard	A4108	ST
CR192	A4109	C9
RGB	A4106	RGB
RGBW	A4107	RGBW
RGB2W	A4117	RGB2W
High Efficacy	A4111	HE
Ultra Efficacy	A4116	UE
IP Rating		
IP20		IP20
IP54		IP54
IP65H		IP65
Finishes		
Aluminium anodised silver		00
Aluminium anodised black		04
White ral9016 sat		16
Cover & Optic		
Opal		OP
Frost		FR
Prismatic UGR<19		PR
Aluminium		AL
Dimming		
No dimming		HF
Dali		DALI
Dmx		DMX
Dimming & to 10Vdc		D10
Phase Dimming Digital		PHD



A3920.817
Endcap



A3920.846

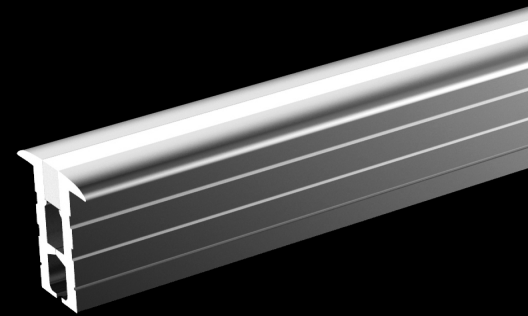


A3920.170
Suspension kit (x2)

SINI T

Recessed narrow profile
Profil encastré étroit

A39126



SINI

Narrow profile
Profil étroit

A39110

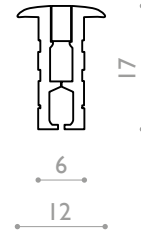


Puissance maxi **Power max**
20 w/m

Dimensions **Dimensions**
6 x 17 mm (cutout 7mm)

Longueur maximale **Max.length**
2000 mm

Température d'utilisation **Ambiant temp.**
- 10°C / + 40°C

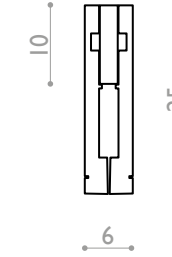


Puissance maxi **Power max**
20 w/m

Dimensions **Dimensions**
6 x 25 mm

Longueur maximale **Max.length**
2000 mm

Température d'utilisation **Ambiant temp.**
- 10°C / + 40°C



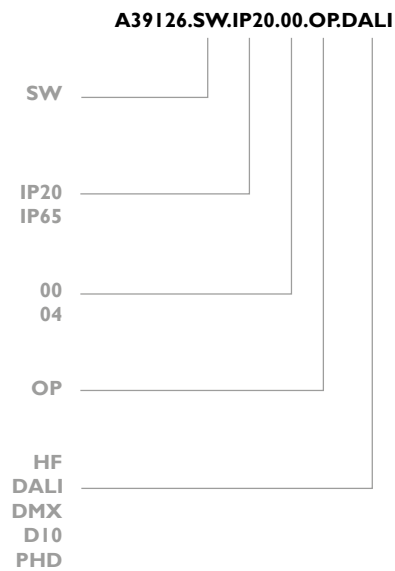
Type of led
Side View A4114

IP Rating
IP20
IP65H

Finishes
Aluminium anodised silver
Aluminium anodised black

Cover & Optic
Opal

Dimming
No dimming
Dali
Dmx
Dimming & to 10Vdc
Phase Dimming Digital



A39126.LPED
Profile



A39126.OPL
Diffusor opal



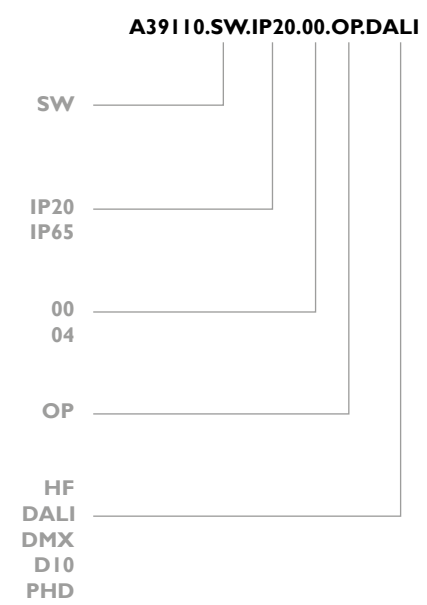
Type of led
Side View A4114

IP Rating
IP20
IP65H

Finishes
Aluminium anodised silver
Aluminium anodised black

Cover & Optic
Opal

Dimming
No dimming
Dali
Dmx
Dimming & to 10Vdc Phase
Dimming Digital



A39110.00
Profil



A39110.OPL
Diffusor opal



A39110.ECP
Endcap



A39110.LPE213
Vis screw

ALPHA

Profile with optics
Profil aluminium avec optiques

A3971



ALPHA XL

Profile with optics
Profil aluminium avec optiques

A3979

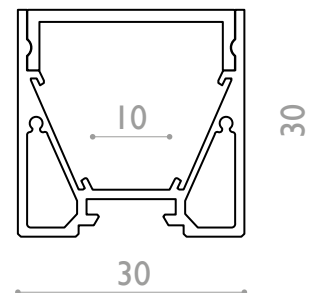


Puissance maxi Power max
40 w/m

Dimensions Dimensions
30 x 30 mm

Longueur maximale Max.length
3000 mm

Température d'utilisation Ambient temp.
- 10°C / + 40°C

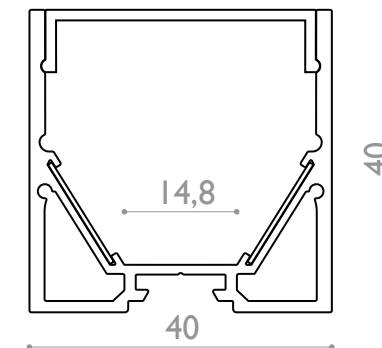


Puissance maxi Power max
40 w/m

Dimensions Dimensions
40 x 40 mm

Longueur maximale Max.length
3000 mm

Température d'utilisation Ambient temp.
- 10°C / + 40°C



A3971.C9.IP20.00.OP.DALI

Type of led
Pure CRI99 A4199
UltraCRI A4101
Dynamic White A4102
Regular A4109
RGB A4106
RGB+W A4107
RGB+2W A4117
High Efficiency A4111
Ultra Efficiency A4116

C99
CR
DW
C9
RGB
RGBW
RGB2W
HE
UE

IP Rating
IP20
IP65H
IP65R resine (custom)

IP20
IP65
IP65R

Finishes
Aluminium anodised silver
Aluminium anodised black
White ral9016 sat

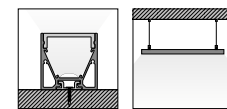
00
04
16

Cover & Optic
Opal
Frost
Prismatic UGR<19
Aluminium

OP
FR
PR
AL

Dimming
No dimming
Dali
Dmx
Dimming & to 10Vdc
Phase Dimming Digital

HF
DALI
DMX
D10
PHD



A3971.P14
Profil asymetric 14°

A3971.PSY
Profil symmetric

A3971.CLP
Clips plastic

A3971.KSU
Kit suspension (x2)

A3979.C9.IP20.00.OP.DALI

Type of led
CRI99 A4199
UltraCRI A4101
Dynamic White A4102
Standard A4108
CRI92 A4109
RGB A4106
RGBW A4107
RGB2W A4117
High Efficiency A4111
Ultra Efficiency A4116

C99
CR
DW
ST
C9
RGB
RGBW
RGB2W
HE
UE

IP Rating
IP20
IP65H
IP65R resine (custom)

IP20
IP65
IP65R

Finishes
Aluminium anodised silver
Aluminium anodised black
White ral9016 sat

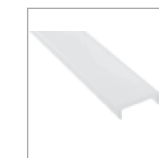
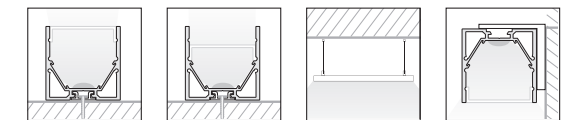
00
04
16

Cover & Optic
Opal
Frost

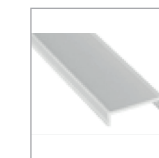
OP
FR

Dimming
No dimming
Dali
Dmx
Dimming & to 10Vdc
Phase Dimming Digital

HF
DALI
DMX
D10
PHD



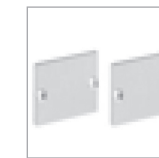
A3979.896
opal



A3979.897
Frost



A3979.895
Transparent



A3979.946
Endcap (x2)



A3979.947
Endcap



A3979.816
Reflecteur 97%



A3979.906
Clips (x2)



A3979.801
Fixation murale



A3979.919
Liaison droite



A3979.936
Liaison angle 90°



A3979.100
Kit suspension (x2)



A3979.908
Fixation securit

SAXO

Profile with reflector
Profil avec reflecteur

A3921



OCTO

Profile with reflector
Profil avec reflecteur

A3926

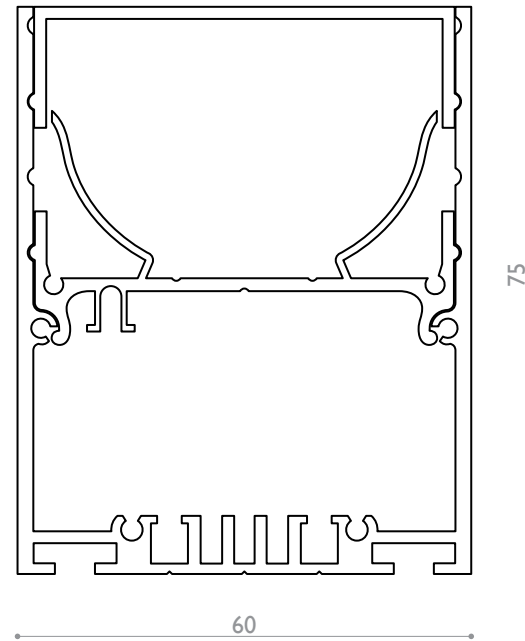


Puissance maxi Power max
60 w/m

Dimensions Dimensions
60 x 75 mm

Longueur maximale Max.length
3000 mm

Température d'utilisation Ambient temp.
- 10°C / + 40°C

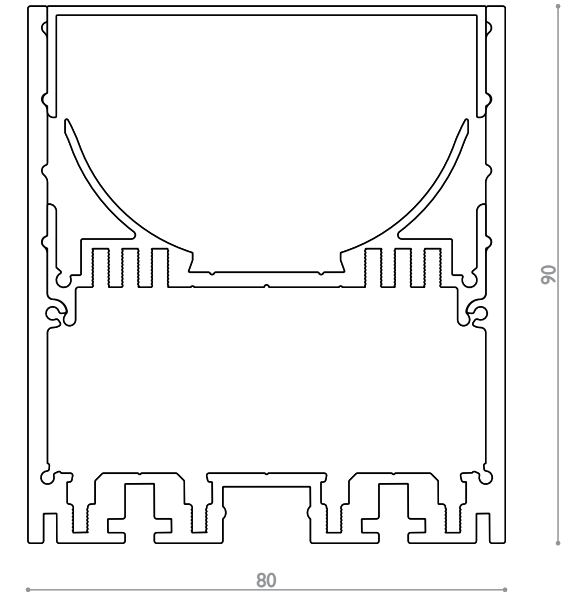


Puissance maxi Power max
80 w/m

Dimensions Dimensions
80 x 90 mm

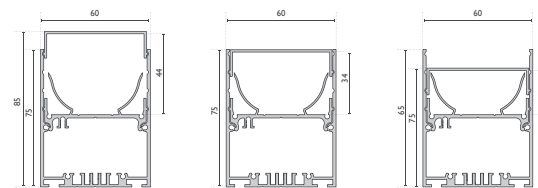
Longueur maximale Max.length
3000 mm

Température d'utilisation Ambient temp.
- 10°C / + 40°C



A3921.C9.IP20.00.OP.DALI

Type of led	A4199	C99
CRI99	A4101	CR
UltraCRI	A4102	DW
Dynamic White	A4108	ST
Standard	A4109	C9
CRI92	A4106	RGB
RGB	A4107	RGBW
RGBW	A4117	RGB2W
RGB2W	A4111	HE
High Efficacy	A4116	UE
Ultra Efficacy		
IP Rating		
IP20	IP20	
IP54	IP54	
IP65H	IP65	
Finishes		
Aluminium anodised silver	00	
Aluminium anodised black	04	
White ral9016 sat	16	
Cover & Optic		
Opal	OP	
Frost	FR	
Dimming		
No dimming	HF	
Dali	DALI	
Dmx	DMX	
Dimming & to 10Vdc	D10	
Phase Dimming Digital	PHD	



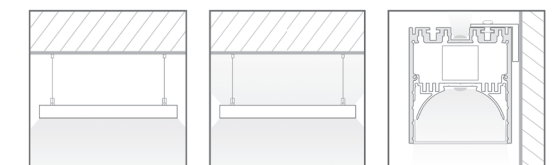
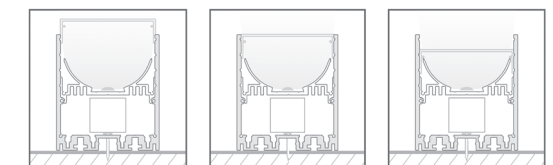
A3921.876
Suspension kit (x2)



A3921.866
Endcap

A3926.C9.IP20.00.OP.DALI

Type of led	A4199	C99
CRI99	A4101	CR
UltraCRI	A4102	DW
Dynamic White	A4108	ST
Standard	A4109	C9
CRI92	A4106	RGB
RGB	A4107	RGBW
RGBW	A4117	RGB2W
RGB2W	A4111	HE
High Efficacy	A4116	UE
Ultra Efficacy		
IP Rating		
IP20	IP20	
IP54	IP54	
IP65H	IP65	
Finishes		
Aluminium anodised silver	00	
Aluminium anodised black	04	
White ral9016 sat	16	
Cover & Optic		
Opal	OP	
Frost	FR	
Dimming		
No dimming	HF	
Dali	DALI	
Dmx	DMX	
Dimming & to 10Vdc	D10	
Phase Dimming Digital	PHD	



CENTO

High Power profile with driver integrated
 Profil forte puissance avec driver intégré

A39175



CENTO T

High Power recessed profile with driver integrated
 Profil encastré forte puissance avec driver intégré

A39180

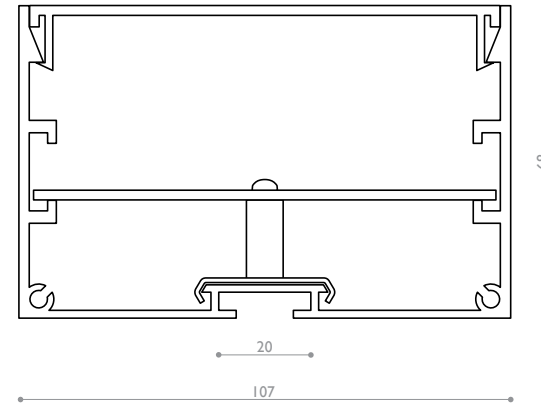


Puissance maxi Power max
50 w/m

Dimensions Dimensions
107 x 68 mm

Longueur maximale Max.length
3000 mm

Température d'utilisation Ambient temp.
- 10°C / + 40°C

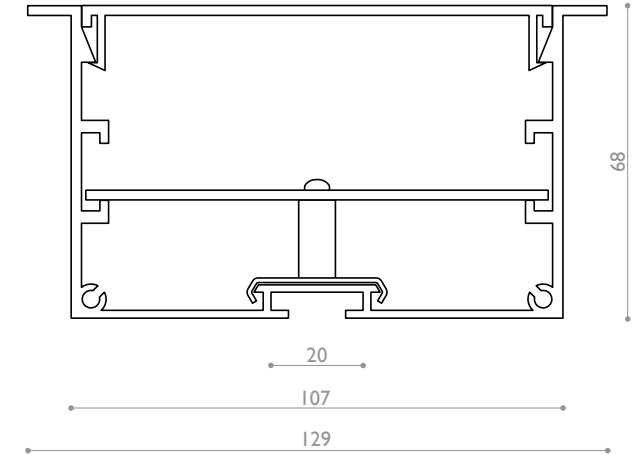


Puissance maxi Power max
50 w/m

Dimensions Dimensions
126 x 68 mm

Longueur maximale Max.length
3000 mm

Température d'utilisation Ambient temp.
- 10°C / + 40°C



A39175.C9.IP20.00.OP.DALI

Type of led		
UltraCRI	A4101	CR
Dynamic White	A4102	DW
Standard	A4108	ST
CRI92	A4109	C9
RGB	A4106	RGB
RGBW	A4107	RGBW
RGB2W	A4117	RGB2W
High Efficacy	A4111	HE
Ultra Efficacy	A4116	UE
IP Rating		
IP20		IP20
IP54		IP54
IP65H		IP65
Finishes		
Aluminium anodised silver		00
Aluminium anodised black		04
White ral9016 sat		16
Cover & Optic		
Opal		OP
Frost		FR
Prismatic UGR<19		PR
Aluminium		AL
Dimming		
No dimming		HF
Dali		DALI
Dmx		DMX
Dimming & to 10Vdc		D10
Phase Dimming Digital		PHD



A39180.C9.IP20.00.OP.DALI

Type of led		
UltraCRI	A4101	CR
Dynamic White	A4102	DW
Standard	A4108	ST
CRI92	A4109	C9
RGB	A4106	RGB
RGBW	A4107	RGBW
RGB2W	A4117	RGB2W
High Efficacy	A4111	HE
Ultra Efficacy	A4116	UE
IP Rating		
IP20		IP20
IP54		IP54
IP65H		IP65
Finishes		
Aluminium anodised silver		00
Aluminium anodised black		04
White ral9016 sat		16
Cover & Optic		
Opal		OP
Frost		FR
Prismatic UGR<19		PR
Aluminium		AL
Dimming		
No dimming		HF
Dali		DALI
Dmx		DMX
Dimming & to 10Vdc		D10
Phase Dimming Digital		PHD



ASTRO T

Recessed profile 45 w/m with optic
 Profil aluminium encastré 45 w/m avec optique

A3982

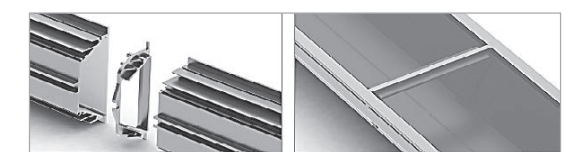
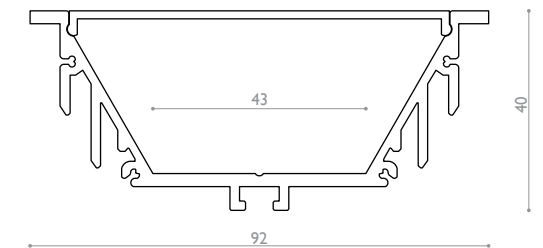


Puissance maxi Power max
40 w/m

Dimensions Dimensions
92 x 40 mm (Cut out 80mm)

Longueur maximale Max.length
3000 mm

Température d'utilisation Ambient temp.
- 10°C / + 40°C



A3982.LC

A3982.C9.IP20.00.FR.DALI

Type of led

CR199	A4199
UltraCRI	A4101
Dynamic White	A4102
Standard	A4108
CR192	A4109
RGB	A4106
RGBW	A4107
RGB2W	A4117
High Efficacy	A4111
Ultra Efficacy	A4116

C99
CR
DW
ST
C9
RGB
RGBW
RGB2W
HE
UE

IP Rating

IP20
IP54
IP65H

IP20
IP54
IP65

Finishes

Aluminium anodised silver
Aluminium anodised black
White ral9016 sat

00
04
16

Cover & Optic

Frost
Prismatic UGR<19

FR
PR

Dimming

No dimming
Dali
Dmx
Dimming & to 10Vdc
Phase Dimming Digital

HF
DALI
DMX
D10
PHD

ALPHA T

Profile recessed with optics
Profil encastré avec optiques

A3970



SAXO T

Profile recessed with optics
Profil encastré avec optiques

A3925

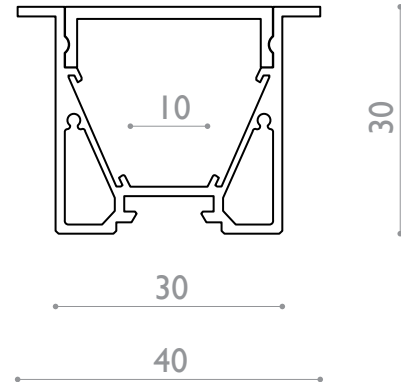


Puissance maxi Power max
40 w/m

Dimensions Dimensions
40 x 30 mm (Cut out 30 mm)

Longueur maximale Max.length
3000 mm

Température d'utilisation Ambient temp.
- 10°C / + 40°C

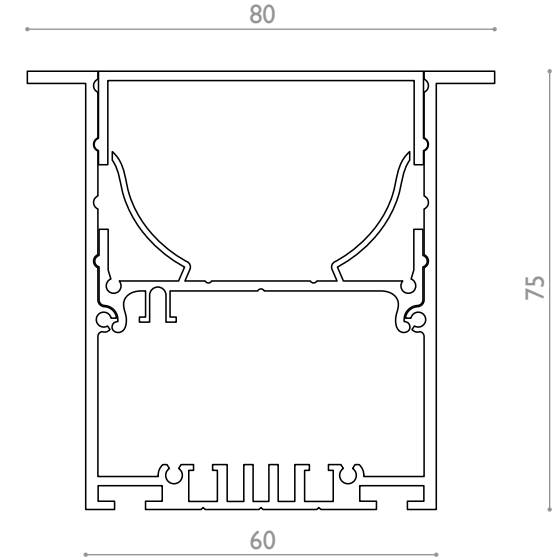


Puissance maxi Power max
60 w/m

Dimensions Dimensions
80 x 75 mm (65 mm)

Longueur maximale Max.length
3000 mm

Température d'utilisation Ambient temp.
- 10°C / + 40°C



A3970.C9.IP20.00.OP.DALI

Type of led	A4199	C99
CR199	A4101	CR
UltraCR	A4102	DW
Dynamic White	A4108	ST
Standard	A4109	C9
CR192	A4106	RGB
RGB	A4107	RGBW
RGBW	A4117	RGB2W
RGB2W	A4111	HE
High Efficacy	A4116	UE
Ultra Efficacy		
IP Rating		
IP20	IP20	
IP65H	IP65	
IP65R resine (custom)	IP65R	
Finishes		
Aluminium anodised silver	00	
Aluminium anodised black	04	
White ral9016 sat	16	
Cover & Optic		
Opal	OP	
Frost	FR	
Prismatic UGR<19	PR	
Aluminium	AL	
Dimming		
No dimming	HF	
Dali	DALI	
Dmx	DMX	
Dimming & to 10Vdc	D10	
Phase Dimming Digital	PHD	



A3925.C9.IP20.00.OP.DALI

Type of led	A4199	C99
CR199	A4101	CR
UltraCRI	A4102	DW
Dynamic White	A4108	ST
Standard	A4109	C9
CR192	A4106	RGB
RGB	A4107	RGBW
RGBW	A4117	RGB2W
RGB2W	A4111	HE
High Efficacy	A4116	UE
Ultra Efficacy		
IP Rating		
IP20	IP20	
IP54	IP54	
IP65H	IP65	
Finishes		
Aluminium anodised silver	00	
Aluminium anodised black	04	
White ral9016 sat	16	
Cover & Optic		
Opal	OP	
Frost	FR	
Dimming		
No dimming	HF	
Dali	DALI	
Dmx	DMX	
Dimming & to 10Vdc	D10	
Phase Dimming Digital	PHD	



COBE T

Recessed profile with optic
Profil encastré avec optique

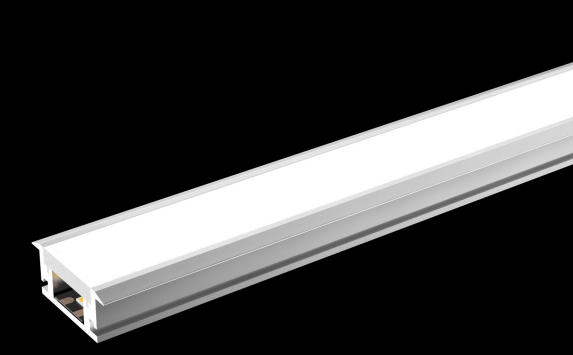
A3963



SOLO

Recessed profile in floor with IP65 diffusor
Profil encastré de sol avec diffuseur IP65

A39144

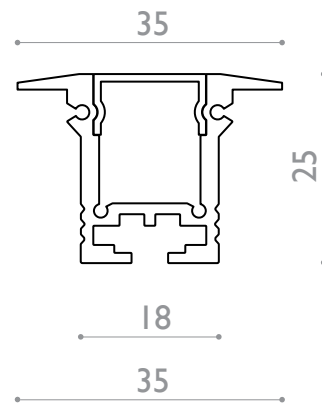


Puissance maxi Power max
35 w/m

Dimensions Dimensions
35 x 25 mm (Cutout 25 mm)

Longueur maximale Max.length
3000 mm

Température d'utilisation Ambient temp.
- 10°C / + 40°C



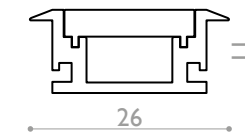
Puissance maxi Power max
24 w/m

Dimensions Dimensions
26 x 11 mm (gorge 21mm)

Longueur maximale Max.length
3000 mm

Fil incandescent Glow wire test
Night&Day 650°C - Opal Frost 850°C

Température d'utilisation Ambient temp.
- 10°C / + 40°C



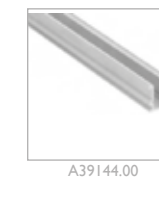
A3963.C9.IP20.00.OP.DALI

Type of led		
CR199	A4199	C99
UltraCRI	A4101	CR
Dynamic White	A4102	DW
Standard	A4108	ST
CR192	A4109	C9
RGB	A4106	RGB
RGBW	A4107	RGBW
RGB2W	A4117	RGB2W
High Efficacy	A4111	HE
Ultra Efficacy	A4116	UE
IP Rating		
IP20		IP20
IP65H		IP65
IP65 resine (custom)		IP65R
Finishes		
Aluminium anodised silver		00
Aluminium anodised black White		04
ra19016 sat		16
Cover & Optic		
Opal		OP
Opal 500 kg		OP5
Frost		FR
Dimming		
No dimming		HF
Dali		DALI
Dmx		DMX
Dimming & to 10Vdc		D10
Phase Dimming Digital		PHD



A39144.C9.IP20.00.OP.DALI

Type of led		
Pure CR199	A4199	C99
UltraCRI	A4101	CR
Dynamic White	A4102	DW
Regular	A4109	C9
RGB	A4106	RGB
RGB+W	A4107	RGBW
RGB+2W	A4117	RGB2W
High Efficacy	A4111	HE
Ultra Efficacy	A4116	UE
IP Rating		
IP20		IP20
IP54		IP54
IP65H		IP65
Finishes		
Aluminium anodised silver		00
Aluminium anodised black		04
Cover & Optic		
Opal		OP
Dimming		
No dimming		HF
Dali		DALI
Dmx		DMX
Dimming & to 10Vdc		D10
Phase Dimming Digital		PHD



BELINI

Recessed profile with IP65 diffusor
Profil encastré avec diffuseur IP65

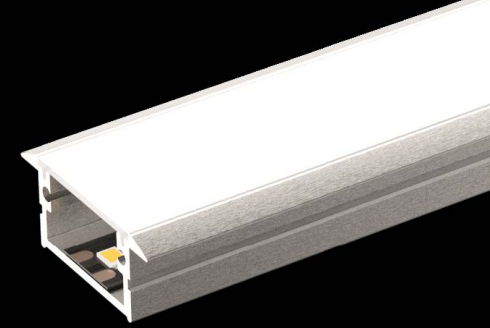
A39123



BELINI XL

Recessed profile with IP65 diffusor
Profil encastré avec diffuseur IP65

A39122



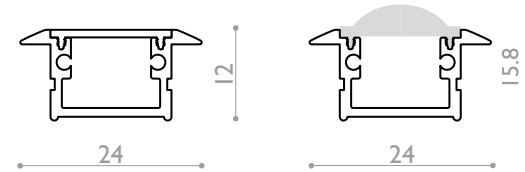
Puissance maxi Power max
24 w/m

Dimensions Dimensions
24 x 12 mm (15.8mm with optic 30° - Cut out 17mm)

Longueur maximale Max.length
3000 mm

Fil incandescent Glow wire test
Night&Day 650°C - Opal Frost 850°C

Température d'utilisation Ambient temp.
- 10°C / + 40°C



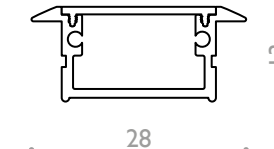
Puissance maxi Power max
24 w/m

Dimensions Dimensions
24 x 13 mm (24 x 15.8 mm with XX° optic)

Longueur maximale Max.length
3000 mm

Fil incandescent Glow wire test
Night&Day 650°C - Opal Frost 850°C

Température d'utilisation Ambient temp.
- 10°C / + 40°C



A39123.C9.IP20.00.OP.DALI

Type of led
Pure CRI99 A4199
UltraCRI A4101
Dynamic White A4102
Regular A4109
RGB A4106
RGB+W A4107
RGB+2W A4117
High Efficacy A4111
Ultra Efficacy A4116
Xicato Artist A4122

C99
CR
DW
C9
RGB
RGBW
RGB2W
HE
UE
XLT

IP Rating
IP20
IP54
IP65H

IP20
IP54
IP65

Finishes
Aluminium anodised silver
Aluminium anodised black

00
04

Cover & Optic
Opal
Frost
Opac grey

OP
FR
GR

Dimming
No dimming
Dali
Dmx
Dimming & to 10Vdc
Phase Dimming Digital

HF
DALI
DMX
D10
PHD



A39123.ECP
Endcap



A39123.CLI
Clips inox



A39123.CLS
Ressort

A39122.C9.IP65.00.OP.DALI

Type of led
Pure CRI99 A4199
UltraCRI A4101
Dynamic White A4102
Regular A4109
RGB A4106
RGB+W A4107
RGB+2W A4117
High Efficacy A4111
Ultra Efficacy A4116

C99
CR
DW
C9
RGB
RGBW
RGB2W
HE
UE

IP Rating
IP20
IP54
IP65H

IP20
IP54
IP65

Finishes
Aluminium anodised silver
Aluminium anodised black

00
04

Cover & Optic
Opal
Frost
Opac grey

OP
FR
GR

Dimming
No dimming
Dali
Dmx
Dimming & to 10Vdc
Phase Dimming Digital

HF
DALI
DMX
D10
PHD



A39122.ECP
Endcap



A39122.CLI
Clips



A39122.CSP
Ressort

TRIO

Corner profile with optics
Profil d'angle avec optiques

A3967



SOFIA

Corner profile with diffuser IP65
Profil d'angle avec diffuseur IP65

A39133

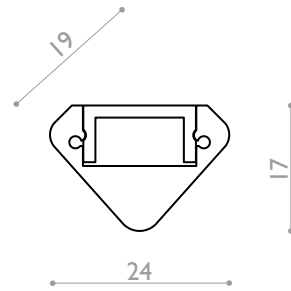


Puissance maxi Power max
26 w/m

Dimensions Dimensions
24 x 17 mm (base 19mm)

Longueur maximale Max.length
3000 mm

Température d'utilisation Ambient temp.
- 10°C / + 40°C



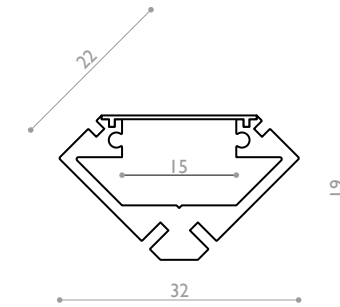
Puissance maxi Power max
26 w/m

Dimensions Dimensions
32 x 19 mm (base 22mm)

Longueur maximale Max.length
3000 mm

Fil incandescent Glow wire test
Night&Day 650°C - Opal Frost 850°C

Température d'utilisation Ambient temp.
- 10°C / + 40°C



A3967.C9.IP20.00.OP.DALI

Type of led		
Pure CRI99	A4199	C99
UltraCRI	A4101	CR
Dynamic White	A4102	DW
Regular	A4109	C9
RGB	A4106	RGB
RGB+W	A4107	RGBW
RGB+2W	A4117	RGB2W
High Efficacy	A4111	HE
Ultra Efficacy	A4116	UE
IP Rating		
IP20		IP20
IP54		IP54
IP65H		IP65
Finishes		
Aluminium anodised silver		00
Aluminium anodised black		04
White ral9016 sat		16
Cover & Optic		
Opal		OP
Opal 500g		OP5
Frost		FR
Frost 30°		F30
Dimming		
No dimming		HF
Dali		DALI
Dmx		DMX
Dimming & to 10Vdc		D10
Phase Dimming Digital		PHD



A3967.CLP
Clips

A39133.C9.IP20.00.OP.DALI

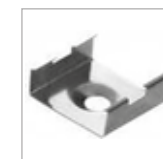
Type of led		
Pure CRI99	A4199	C99
UltraCRI	A4101	CR
Dynamic White	A4102	DW
Regular	A4109	C9
RGB	A4106	RGB
RGB+W	A4107	RGBW
RGB+2W	A4117	RGB2W
High Efficacy	A4111	HE
Ultra Efficacy	A4116	UE
IP Rating		
IP20		IP20
IP54		IP54
IP65H		IP65
Finishes		
Aluminium anodised silver		00
Aluminium anodised black		04
Cover & Optic		
Opal		OP
Frost		FR
Dimming		
No dimming		HF
Dali		DALI
Dmx		DMX
Dimming & to 10Vdc		D10
Phase Dimming Digital		PHD



A39133.00



A39133.ECP
End cap



A39133.CLI
Clips inox

ANGEL

Corner profile
Profil d'angle

A3949



CORNER

Tile corner profile
Profil d'angle

A3927

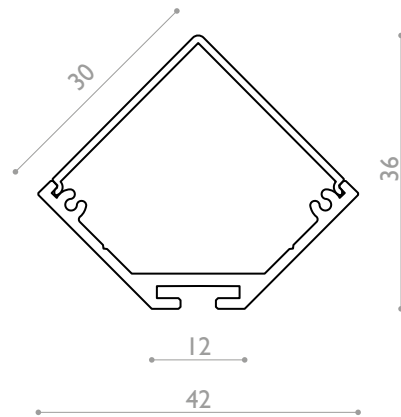


Puissance maxi Power max
35 w/m

Dimensions Dimensions
30 x 33 mm (42 x 36 mm)

Longueur maximale Max.length
3000 mm

Température d'utilisation Ambient temp.
- 10°C / + 40°C



A3949.C9.IP20.00.OP.DALI

Type of led
Pure CRI99 A4199
UltraCR A4101
Dynamic White A4102
Regular A4109
RGB A4106
RGB+W A4107
RGB+2W A4117
High Efficacy A4111
Ultra Efficacy A4116

C99
CR
DW
C9
RGB
RGBW
RGB2W
HE
UE

IP Rating

IP20
IP54
IP65H

IP20
IP54
IP65

Finishes

Aluminium anodised silver
Aluminium anodised black
White ral9016 sat

00
04
16

Cover & Optic

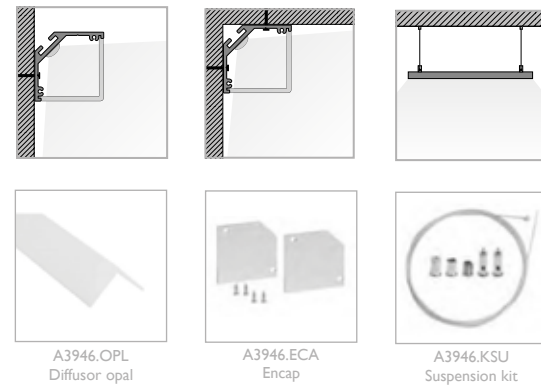
Opal

OP

Dimming

No dimming
Dali
Dmx
Dimming & to 10Vdc
Phase Dimming Digital

HF
DALI
DMX
D10
PHD



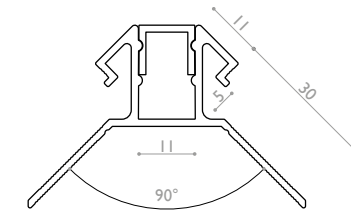
Puissance maxi Power max
26 w/m

Dimensions Dimensions
Voir schémas | See diagramm aside

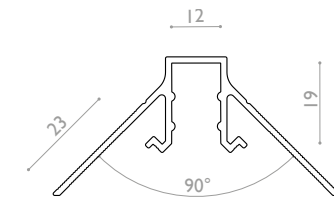
Longueur maximale Max.length
3000 mm

Température d'utilisation Ambient temp.
- 10°C / + 40°C

A3927 Corner out 10mm



A3928 Corner in 10mm



A3927.C9.IP20.00.OP.DALI

Type of led
Ultra CRI99 A4101
Dynamic White A4102
Regular A4109
RGB A4106
RGB+W A4107
RGB+2W A4117
High Efficacy A4111
Ultra Efficacy A4116

CR
DW
C9
RGB
RGBW
RGB2W
HE
UE

IP Rating

IP20
IP54
IP65H

IP20
IP54
IP65

Finishes

Aluminium anodised silver
Aluminium anodised black
White ral9016 sat

00
04
16

Cover & Optic

Opal

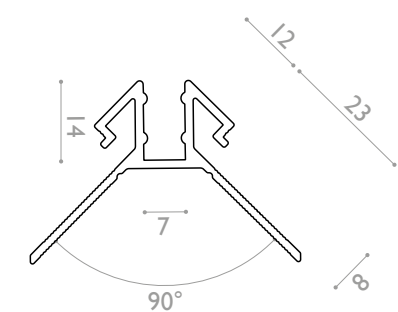
OP

Dimming

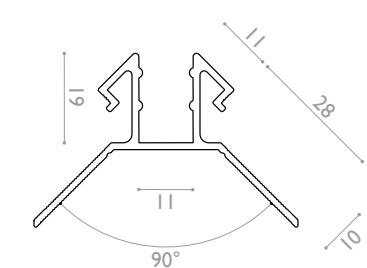
No dimming
Dali
Dmx
Dimming & to 10Vdc
Phase Dimming Digital

HF
DALI
DMX
D10
PHD

A3929 Corner out 8mm



A3930 Corner



STEP UP & STEP DOWN

Stairway profile with cable duct
Profil de marche avec conduit de cables

A3977
A3978



FONDO

Floor profile
Profil de sol

A3942

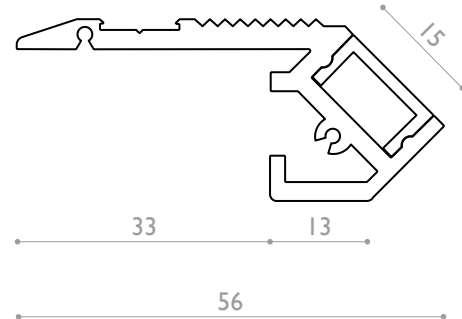


Puissance maxi Power max
26 w/m

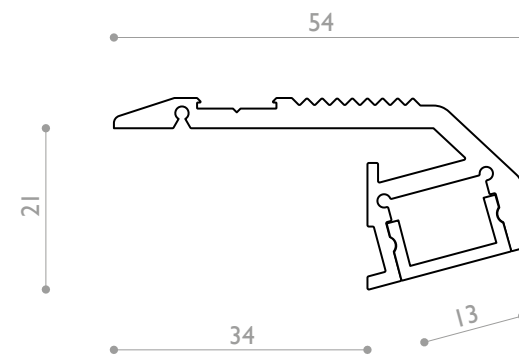
Dimensions Dimensions
56 x 25 mm

Longueur maximale Max.length
3000 mm

Température d'utilisation Ambient temp.
- 10°C / + 40°C



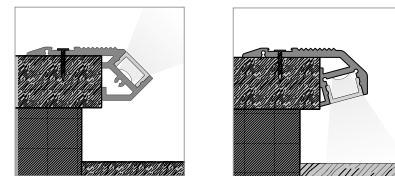
A3977 Step Up



A3978 Step Down

A3977.C9.IP20.00.OP.DALI

Type of led			
Ultra CRI99	A4101	CR	A3977.C9.IP20.00.OP.DALI
Dynamic White	A4102	DW	
Regular	A4109	C9	
RGB	A4106	RGB	
RGB+W	A4107	RGBW	
RGB+2W	A4117	RGB2W	
		RGB2W	
IP Rating			
IP20		IP20	A3977.C9.IP20.00.OP.DALI
IP54		IP54	
IP65H		IP65	
Finishes			
Aluminium anodised silver		00	A3977.C9.IP20.00.OP.DALI
Aluminium anodised black		04	
White ral9016 sat		16	
Cover & Optic			
Opal		OP	A3977.C9.IP20.00.OP.DALI
Frost		FR	
Dimming			
No dimming		HF	A3977.C9.IP20.00.OP.DALI
Dali		DALI	
Dmx		DMX	
Dimming & to 10Vdc		D10	
Phase Dimming Digital		PHD	

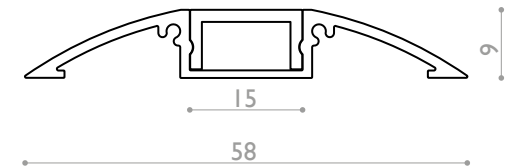


Puissance maxi Power max
25 w/m

Dimensions Dimensions
58 x 9 mm

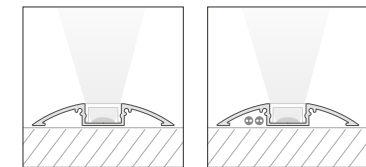
Longueur maximale Max.length
3000 mm

Température d'utilisation Ambient temp.
- 10°C / + 40°C



A3942.C9.IP20.00.OP.DALI

Type of led			
Ultra CRI99	A4101	CR	A3942.C9.IP20.00.OP.DALI
Dynamic White	A4102	DW	
Regular	A4109	C9	
RGB	A4106	RGB	
RGB+W	A4107	RGBW	
RGB+2W	A4117	RGB2W	
High Efficacy	A4111	HE	
IP Rating			
IP20		IP20	A3942.C9.IP20.00.OP.DALI
IP54		IP54	
IP65H		IP65	
Finishes			
Aluminium anodised silver		00	A3942.C9.IP20.00.OP.DALI
Aluminium anodised black		04	
White ral9016 sat		16	
Cover & Optic			
Opal		OP	A3942.C9.IP20.00.OP.DALI
Frost		FR	
Dimming			
No dimming		HF	A3942.C9.IP20.00.OP.DALI
Dali		DALI	
Dmx		DMX	
Dimming & to 10Vdc		D10	
Phase Dimming Digital		PHD	



ORION

Opal profile
Profil opal

A39165



ODIN

Opal profile
Profil opal

A39172

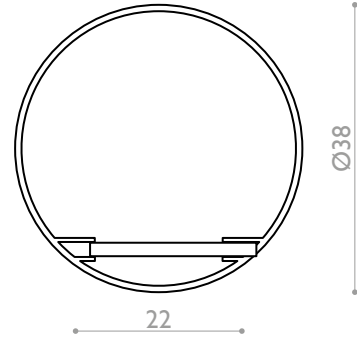


Puissance maxi Power max
24 w/m

Dimensions Dimensions
D38 mm

Longueur maximale Max.length
3000 mm

Température d'utilisation Ambient temp.
- 10°C / + 40°C

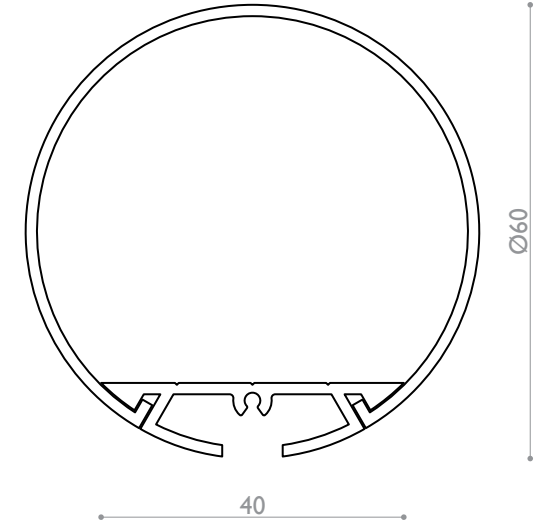


Puissance maxi Power max
32 w/m

Dimensions Dimensions
D60 mm

Longueur maximale Max.length
3000 mm

Température d'utilisation Ambient temp.
- 10°C / + 40°C



A39165.C9.IP20.OPDALI

Type of led
Pure CRI99 A4199
UltraCRI A4101
Dynamic White A4102
Regular A4109
RGB A4106
RGB+W A4107
RGB+2W A4117
High Efficacy A4111

C99
CR
DW
C9
RGB
RGBW
RGB2W
HE

IP Rating
IP20
IP54
IP65H

IP20
IP54
IP65

Cover & Optic
Opal

OP

Dimming
No dimming
Dali
Dmx
Dimming & to 10Vdc
Phase Dimming Digital

HF
DALI
DMX
D10
PHD



A39165.KSU
Suspension



A39165.CLP
Clips

A39172.C9.IP20.OPDALI

Type of led
CRI99 A4199
UltraCRI A4101
Dynamic White A4102
Standard A4108
CRI92 A4109
RGB A4106
RGBW A4107
RGB2W A4117
High Efficacy A4111

C99
CR
DW
ST
C9
RGB
RGBW
RGB2W
HE

IP Rating
IP20
IP54
IP65H

IP20
IP54
IP65

Cover & Optic
Opal Polycarbonat

OP

Dimming
No dimming
Dali
Dmx
Dimming & to 10Vdc
Phase Dimming Digital

HF
DALI
DMX
D10
PHD



A39172.KC010
Suspension kit
Silver/white/black



A39172.LPEHO



A39172.OPL
Opal Polycarbonat



A39172.LP226
Plastic endcap

OLYMPE XL

Round profile with IP65 diffusor
Profil cylindrique avec diffuseur IP65

A39163



OSCAR

Round profile with IP65 diffusor
Profil cylindrique avec diffuseur IP65

A39174

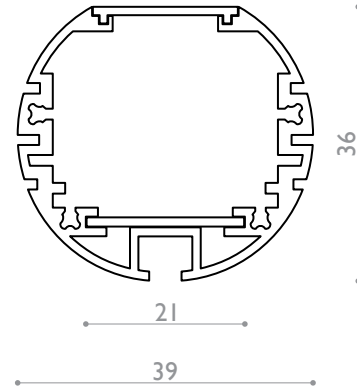


Puissance maxi Power max
40 w/m

Dimensions Dimensions
D39 mm

Longueur maximale Max.length
3000 mm

Température d'utilisation Ambient temp.
- 10°C / + 40°C

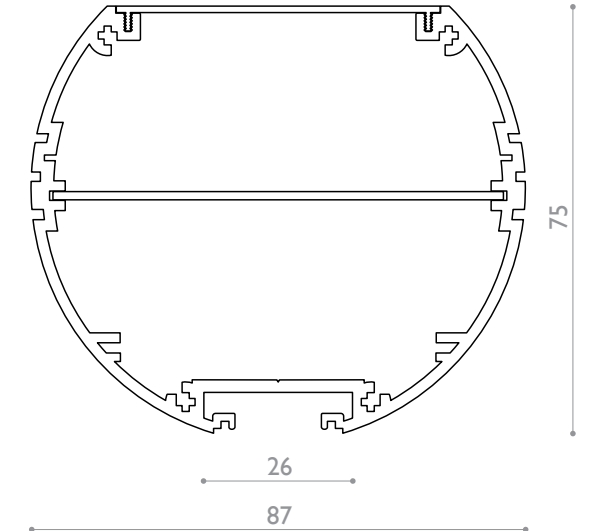


Puissance maxi Power max
40 w/m

Dimensions Dimensions
D 87 mm

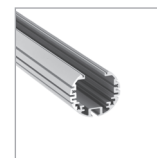
Longueur maximale Max.length
3000 mm

Température d'utilisation Ambient temp.

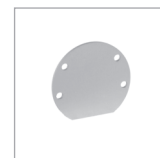


A39163.C9.IP20.00.OP.DALI

Type of led	A4199	C99
CRI99	A4101	CR
UltraCRI	A4102	DW
Dynamic White	A4108	ST
Standard	A4109	C9
CRI92	A4106	RGB
RGB	A4107	RGBW
RGBW	A4117	RGB2W
RGB2W	A4111	HE
High Efficacy	A4116	UE
Ultra Efficacy		
IP Rating		
IP20	IP20	
IP54	IP54	
IP65H	IP65	
Finishes		
Aluminium anodised silver	00	
Aluminium anodised black	04	
Cover & Optic		
Opal	OP	
Frost	FR	
Dimming		
No dimming	HF	
Dali	DALI	
Dmx	DMX	
Dimming & to 10Vdc	D10	
Phase Dimming Digital	PHD	



A39163.00



A39163.ECA



A39163.KSC



A39163.KSU

A39174.C9.IP20.00.OP.DALI

Type of led	A4199	C99
CRI99	A4101	CR
UltraCRI	A4102	DW
Dynamic White	A4108	ST
Standard	A4109	C9
CRI92	A4106	RGB
RGB	A4107	RGBW
RGBW	A4117	RGB2W
RGB2W	A4111	HE
High Efficacy	A4116	UE
Ultra Efficacy		
IP Rating		
IP20	IP20	
IP54	IP54	
IP65H	IP65	
Finishes		
Aluminium anodised silver	00	
Aluminium anodised black	04	
Cover & Optic		
Opal	OP	
Prismatic UGR<19	PR	
Dimming		
No dimming	HF	
Dali	DALI	
Dmx	DMX	
Dimming & to 10Vdc	D10	
Phase Dimming Digital	PHD	



A39174.KC07



A39174.KC08

URUS

Square profile with IP65 diffuser
Profil carré avec diffuseur IP65

A39170



Puissance maxi Power max
35 w/m

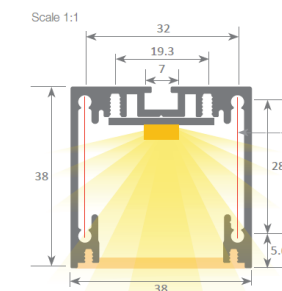
Dimensions Dimensions
38 x 38 mm

Longueur maximale Max.length
3000 mm

Température d'utilisation Ambient temp.
- 20°C / + 40°C

Fil incandescent Glow wire test
Night&Day 650°C - Opal Frost 850°C

Tension d'alimentation Input voltage
5V (pixel) - 12V (pixel) - 24Vdc



A39170.C9.IP65.00.FR.HF

Type of led

Pure CRI99	A4199	C99
UltraCRI	A4101	CR
Dynamic White	A4102	DW
Regular	A4109	C9
RGB	A4106	RGB
RGB+W	A4107	RGBW
RGB+2W	A4117	RGB2W
High Efficacy	A4111	HE
Ultra Efficacy	A4116	UE
Distance	A4121	D30
Pixelmonochrome	A4119	PXW
Pixel dynamic	A4122	PXWW
Pixel RGB	A4120	PXRGB
Pixel RGBW	A4124	PXRGBW

IP Rating

IP20	IP20
IP54	IP54
IP65H	IP65

Finishes

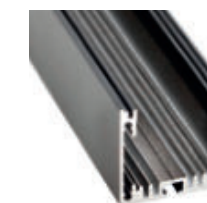
Aluminium anodised silver	00
Aluminium painted black	04

Cover & Optic

Frost	FR
Microprismatic frost	PRF
Microprismatic transparent	PRT
Night&Day	ND

Dimming

No dimming	HF
Dali	DALI
Dmx	DMX
Dimming & to 10Vdc Phase	D10
Dimming Digital	PHD



A39170.FR frost
A39170.PRF microprismatic frost
A39170.PRT microprismatic transparent



A39170.SUS



A39170.JCT
Junction plate



A39170.ECA
Endcap



A39170.SDF
90° side fixation (x2)

**DRIVERS & CONTROLLERS**

ADJUST. POWER SUPPLY IP65	130
POWER SUPPLY 24V IP20	131
DALI DT6 DRIVER 24V IP20	132
DALI DT8 DRIVER 24V IP20	133

ADJUST. POWER SUPPLY IP65

PSU adjustable through internal potentiometer
Driver réglable par potentiometre intégré

A624R



Puissance de sortie Output power
40 w to 600 w

Tension de sortie DC Voltage
24v / 48v / 54v

Rendement Efficiency
93%

Réglage Adjustment
I & V adjustable through internal potentiometer

Indice de protection IP rate
IP65

Température d'utilisation Ambient temp.
-20°C / + 45°C

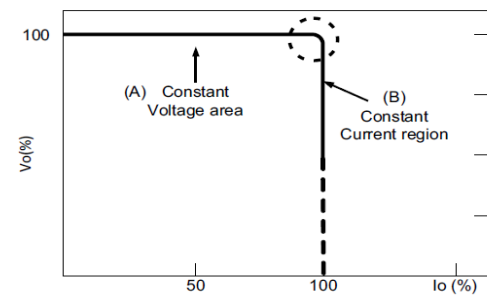
Tension alimentation Input voltage
90 ~ 305VAC 127 ~ 431VDC

Normes sécurité Safety standards
TUV EN61347-1, EN61347-2-13 independent; IP65 or IP67 design refer to UL60950-1, TUV EN60950-1

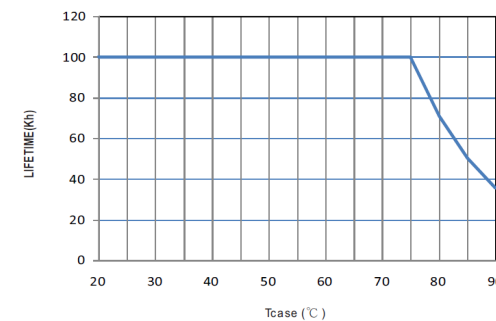
Emission EMC EMC emission
EN55015, EN55022 Class B, EN61000-3-2 Class C ; EN61000-3-3

Imunité EMC EMC immunity
EN61000-4-2,3,4,5,6,8,11, EN61547, EN55024

REFERENCE	Puissance	Dimensions
A624040R	40 w	171*62*37mm
A624060R	60 w	171*62*37mm
A624080R	80 w	196*62*39mm
A624100R	100 w	220*63*39mm
A624120R	120 w	220*63*39mm
A624150R	150 w	228*68*39mm
A624185R	185 w	228*68*39mm
A624240R	240 w	244*68*39mm
A624320R	320 w	252*90*44mm
A624600R	600 w	280*144*49mm



Typical output current normalized by rated current (%)



POWER SUPPLY 24V IP20

Driver LED constant voltage
Driver LED à tension constante

A624ES



Puissance de sortie Output power
60 w to 200 w

Tension de sortie DC Voltage
24v

Rendement Efficiency
92%

Indice de protection IP rate
IP20

Dimension Dimensions
L x 43 x 30 mm

Température d'utilisation Ambient temp.
-20°C / + 45°C

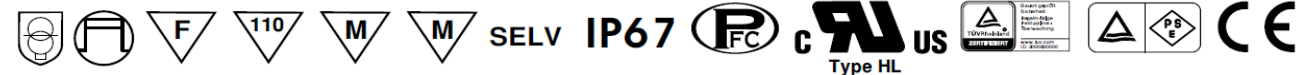
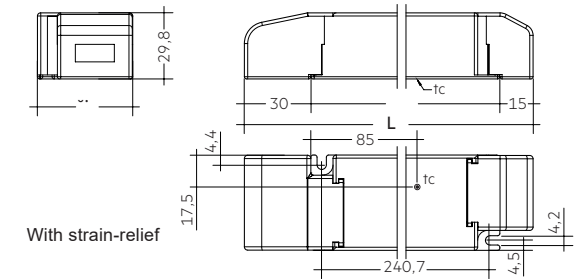
Tension alimentation Input voltage
198 ~ 264 VAC

Durée de vie & garantie Lifetime & Warranty
50.000 h - 5 years

Courant d'appel (crête / durée) In-rush current
40 A / 186 μs

Norme Standard
EN 55015, EN 61000-3-2, EN 61000-3-3, EN 61347-1 EN 61347-2-13, EN 62384, EN 615474

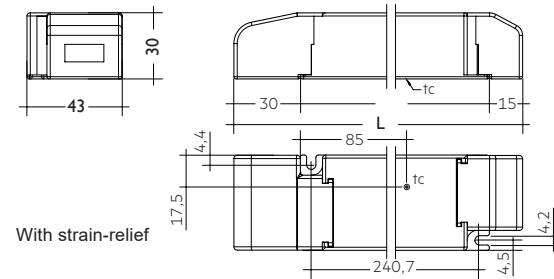
REFERENCE	Puissance	Dimensions
A624035ES	35 w	142*43*30mm
A624060ES	60 w	225*43*30mm
A624100ES	100 w	295*43*30mm
A624200ES	200 w	325*43*30mm



DALI DT6 DRIVER 24V IP20

Monochannel DALI DT6 driver with PUSHDIM
Driver monocanal DALI DT6 et PUSHDIM

A6240



Puissance de sortie Output power
35 w to 150 w

Tension de sortie DC Voltage
24v

Rendement Efficiency
94%

Indice de protection IP rate
IP20

Dimension Dimensions
L x 43 x 30 mm

Température d'utilisation Ambient temp.
-20°C / + 45°C

Tension alimentation Input voltage
198 ~ 264 VAC

Durée de vie & garantie Lifetime & Warranty
50.000 h - 5 years

Courant d'appel (crête / durée) In-rush current
60 A / 195 μs

Norme Standard
EN 55015, EN 61000-3-2, EN 61000-3-3, EN 61347-1
EN 61347-2-13, EN 62384, EN 61547, EN 62386-101, EN 62386-102

REFERENCE	Puissance	Dimensions
A624035O	35 w	195*43*30mm
A624060O	60 w	225*43*30mm
A624100O	100 w	295*43*30mm
A624200O	150 w	325*43*30mm



DALI DT8 DRIVER 24V IP20

Dali DT8 Constant Voltage driver IP20 PWM
Driver Dali DT8 tension constante IP20 PWM

A624075DT8 - A624100DT8



Puissance de sortie Output power
75w (A624075DT8) - 100w (A624100DT8)

Dimensions Dimensions
293x43x30mm

Signal de sortie Output
PWM-CV

Protocole de gradation Dimming Protocol
DALI DT8 (IEC62386) - Push DIM/CCT

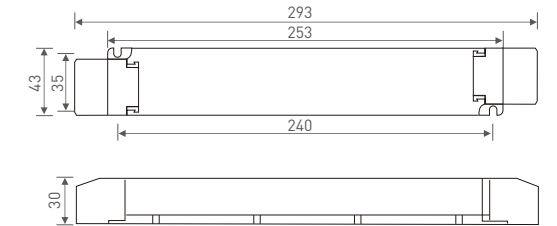
Indice de protection IP rate
IP20

Température d'utilisation Operating temp.
-20°C / + 45°C

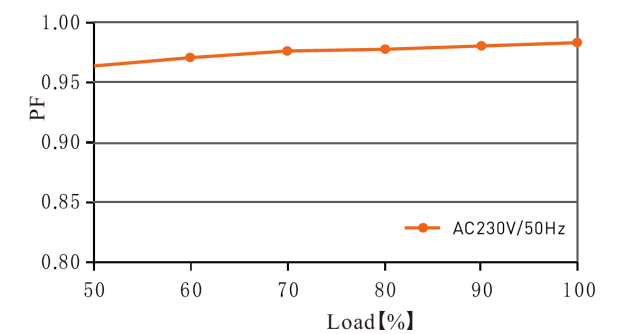
Tension de sortie Output voltage
24 Vdc

Normes sécurité Safety standards
IEC62386-101,102,207;EN55015;EN61000-3-2;EN61000-3-3;ROHS2

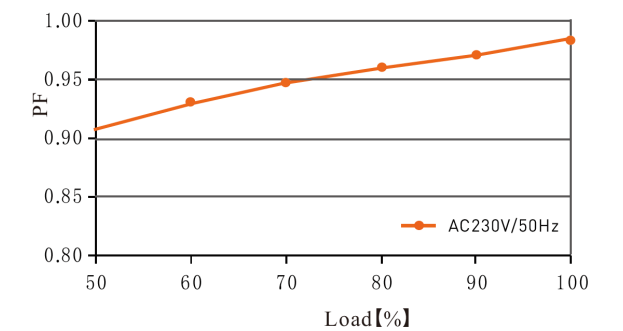
Garantie Warranty
3 years



Power factor

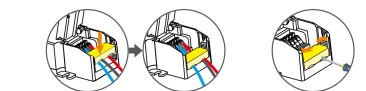


Efficiency



Application of Protective Cover

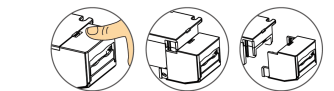
Wire pressing board:



Push the wire pressing board to fix the wire.

Push outward the side plate, meanwhile use the tool to uninstall the wire pressing board.

Uninstall protective cover:



Break off the bottom left and right to remove the protective cover.



DIM: 0-100% brightness adjustment.
CCT: 2700-6500K color temperature adjustment.



ATEA

ATEA Paris (Headquarters)

E. sales@atea.fr

T. +33 (0)1 41 36 07 70

138 avenue Aristide Briand
92220 Bagneux - France

www.atea.fr

ATEA London

E. uk@atea.fr

T. +44 7365 775693

ATEA Switzerland

E. switzerland@atea.fr

T. +33 (0)6 73 87 56 67

ATEA Luxembourg

E. luxembourg@atea.fr

T. +352 4415441

ATEA Sweden

E. sweden@atea.fr

T. +44 7365 775693