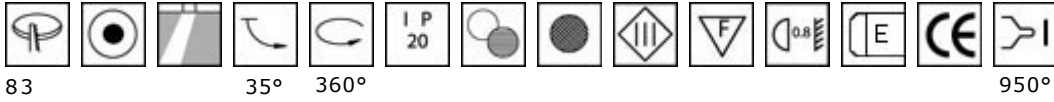
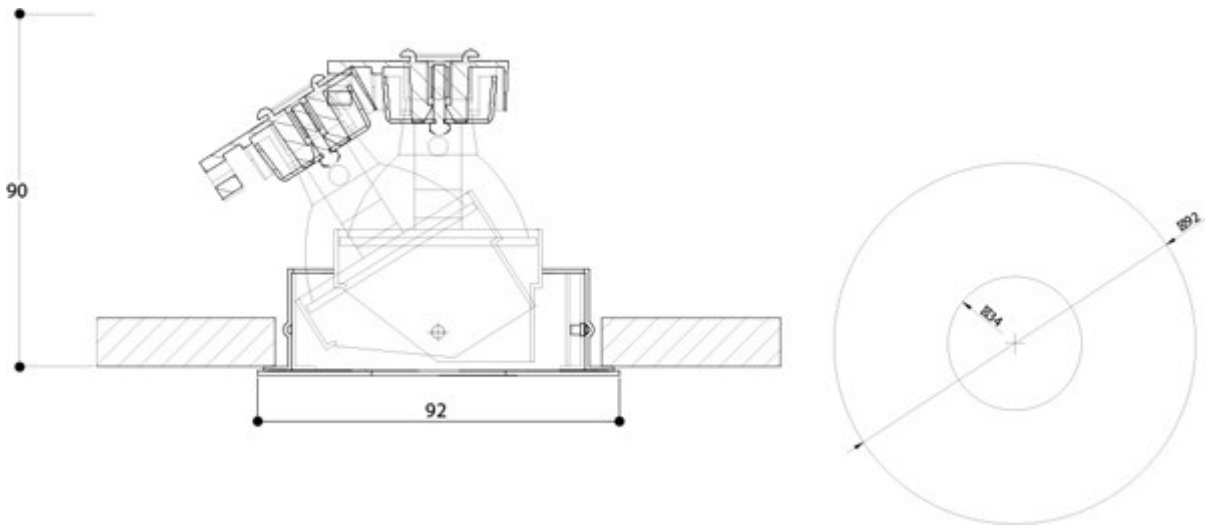


ProSpex® 90 Pinhole Adjustable LU90413-A-PB



Ref Number:	90413-A-WH-9000-PBZ
Lamp	QR CBC 51
Lamp holder	GU5.3
Lamp wattage	20 50

Accent pinhole downlight with overlap flange for installation into already finished ceilings.
 35° tilt and 360° rotation.
 Deep regressed lamp position for minimal glare.
 Easy re lamping with ball catch mechanism.
 PB = 9000 PBZ mounting ring for installation into existing ceilings.
 To be specified separately
 Front plate white finish, with the aperture edge finished matt black as standard.
 Other colour finishes to order
 Overall diameter of ceiling trim 89mm.
 Overall diameter of luminaire 92mm.
 Ceiling cut out 83mm
 Maximum height 90mm
 Allow 25mm clearance
 Luminaire can accept an additional 2 accessories. To be specified separately.
 Transformer to be ordered separately.