



ATEA



Today, lighting plays an integral part of architecture - permitting structural lines to be recreated and spaces to be redefined. Over the past years, lighting sources and equipment have undergone major technological development in terms of performance and economy. As well, new means of development available to designers have revolutionized work methods and production capacity. Day after day, Atea integrates these new tools in its endeavor to fuse aesthetic research with technology in the context of lighting.

La lumière aujourd'hui, fait partie intégrante de l'architecture. Elle permet de recréer des axes de structure et de définir l'ambiance des lieux. Les sources et les appareils d'éclairage ont connu ces dernières années un important développement technologique dans les domaines de la performance et de l'économie. De même les nouveaux moyens de développement mis à la disposition des designers ont bouleversé leurs méthodes de travail et leur capacité de synthèse. Atea, jour après jour, intègre ces nouveaux outils avec comme projet de mettre la recherche esthétique et la technologie au service de la lumière.

Pierre Scholtès

Serie	Model	Ref	Max power		Lumens lm/m (@4000k)	CRI /custom	Page
			w/m	leds/m			
PURE CRI	C99	A4199	26	140	2380	99 +/-1	19
	C99	A4199	13	140	1300	99 +/-1	19
ULTRACRI	CR	A4101	23	176	2700	98 +/-2	21
	CR	A4101	20	120	1735	98 +/-2	21
	CR	A4101	10	120	950	98 +/-2	21
DYNAMIC WHITE	DW	A4102	23	120	2500	98 +/-2	25
	DW	A4102	10	120	950	98 +/-2	25
3D	3D	A4103	10	120	720	98 +/-2	27
SNAKE	SN	A4105	5	60	390	98 +/-2	29
	SN	A4105	12	60	1160	93 +/-2	29
SLIM	S5	A4110	15	180	1100	93	31
	S8	A4118	15	180	1400	98 +/-2	31
	S8	A4118	10	120	950	98 +/-2	31
REGULAR	C9	A4109	25	240	2640	93	33
	C9	A4109	24	120	2400	93	33
	C9	A4109	12	60	1200	93	33
HIGH EFFICACY	HE	A4111	29	160	4320	82 / 92	35
	HE	A4111	23	128	3450	82 / 92	35
ULTRA EFFICACY	UE	A4116	40	224	6050	82 / 92	37
	UE	A4116	29	160	4900	82 / 92	37
DISTANCE	D30	A4121	15	120	1510	90 / 98	39
	D50	A4121	4	60	460	90 / 98	39
PIXEL 12V	PX	A4119	15	60	1260	82	41
PIXEL RGB 5V	RGB	A4120	18	60	-	-	43
RGB	RGB	A4106	23	96	-	-	45
RGB	RGB	A4106	15	60	-	-	45
RGB DMX	RGB	A4106.DMX	15	60	-	-	45
RGB+W	RGBW	A4107	23	96	912	92	47
RGB+2W	RGB2W	A4117	23	72	648	92	49
NEO 3D	NE	A4113.1515				82	51
NEO TOP	NS	A4114.1312				82	53
SIDE SIDE	SW	A4115.1220					55

Strip list

FPC width	Min Cut led/mm	CCT / Color (x100 k)	IP		Dimension mm	Standards
10	7/50	22/27/30/40	IP20/IP67T		5000x10x2	CE
10	7/50	22/27/30/40	IP20/IP67T		5000x10x2	CE
10	8/45	18/21/24/27/30/35/40/52/62	IP20/IP54/IP67T		5000x10x2	CE / UL
10	6/50	18/21/24/27/30/35/40/52/62	IP20/IP54/IP67T		5000x10x2	CE / UL
10	6/50	18/21/24/27/30/35/40/52/62	IP20/IP54/IP67T		5000x10x2	CE / UL
10	6+6/100	18/21/24/27/30/35/40/52/62	IP20/IP54/IP67T		5000x10x2	CE / UL
10	6+6/100	18/21/24/27/30/35/40/52/62	IP20/IP54/IP67T		5000x10x2	CE / UL
12	6/50	18/21/24/27/30/35/40/52/62	IP67T		5000x10x6	CE / UL
6	6/100	18/21/24/27/30/35/40/52/62	IP20		5000x6x2	CE / UL
6	6/100	21/24/27/30/35/40/60	IP20		5000x6x2	CE / ETL
5	6/34	21/24/27/30/40/60/R/G/B/Y	IP20/IP54/IP67T		5000x5x2	CE / UL
8	6/34	18/21/24/27/30/35/40/52/62	IP20/IP54/IP67T		5000x8x2	CE / UL
8	6/50	18/21/24/27/30/35/40/52/62	IP20/IP54/IP67T		5000x8x2	CE / UL
10	6/25	21/24/27/30/40/60/R/G/B/Y	IP20/IP65H		5000x10x2	CE / ETL
10	6/50	21/24/27/30/40/60/R/G/B/Y	IP20/IP65H		5000x10x2	CE / ETL
8	6/100	21/24/27/30/40/60/R/G/B/Y	IP20/IP65H		5000x 8x2	CE / ETL
12	8/50	24/27/30/40/60	IP20/IP54/IP67T		3000x12x2	CE / UL
12	8/63	24/27/30/40/60	IP20/IP54/IP67T		5000x12x2	CE / UL
12	8/36	24/27/30/40/60	IP20/IP54		3000x12x2	CE / UL
12	8/50	24/27/30/40/60	IP20/IP54		3000x12x2	CE / UL
10	6/50	24/27/30/40/60	IP20/IP67T	30m by two end powered	3000x10x2	CE / UL
10	6/100	24/27/30/40/60	IP20/IP67T	50m by two end powered	5000x10x2	CE / UL
10	3/50	27/30/40/60/R/G/B	IP20/IP54/IP67T	pixel 50mm - pixel by pixel	5000x10x2	
10	1/17	RGB	IP20/IP67H	pixel 17mm - pixel by pixel	5000x10x2	CE / ETL
10	6/63	RGB	IP20/IP54/IP67T		5000x10x2	CE / ETL
10	6/100	RGB	IP20/IP54/IP67T		5000x10x2	CE / ETL
12	6/100	RGB	IP20/IP54/IP67H	pixel 100mm - direct dmx	5000x12x2	CE / ETL
12	4+4/83	RGB+21/24/27/30/40/60	IP20/IP67H		5000x12x2	CE / ETL
16	6+6/167	RGB+30+60	IP20/IP67H		5000x16x2	CE / ETL
			IP67		5000x15x15	CE / UL
			IP67		5000x13x12	CE / UL
			IP67		5000x12x20	CE / UL

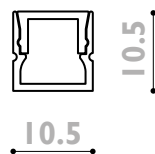
A3953 Flex
(P.61)



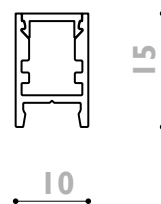
A39108 Cova
(P.49)



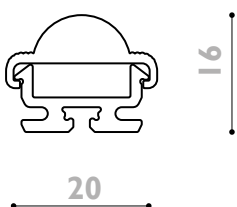
A3972 Campus Mini
(P.70)



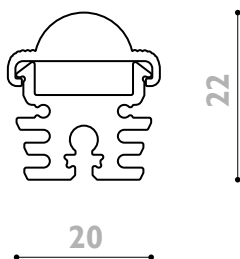
A3989 Cobe Mini
(P.71)



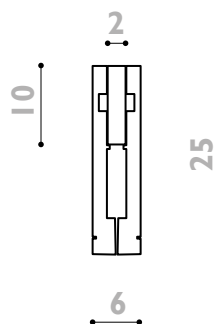
A3952 Totem
(P.65)



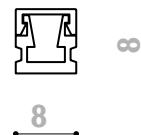
A3950 Totem XL
(P.64)



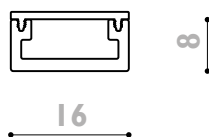
A39110 Sini
(P.79)



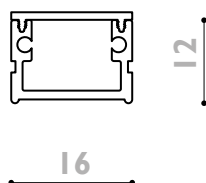
A39109 Little
(P.69)



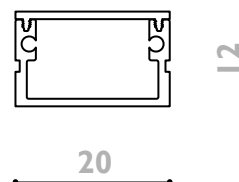
A39107 Romulus Mini
(P.73)



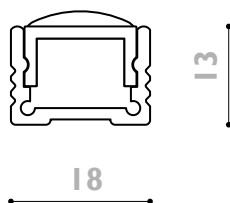
A39105 Romulus
(P.74)



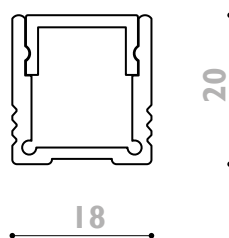
A39104 Romulus XL
(P.75)



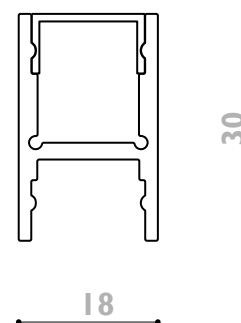
A3960 Campus
(P.66)



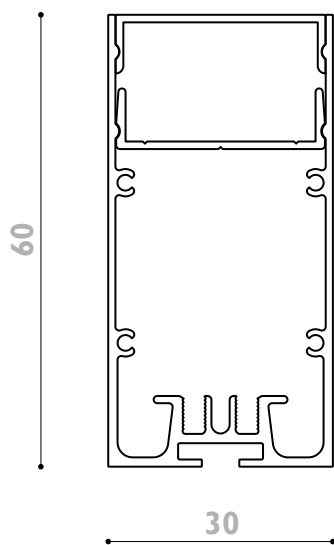
A3961 Campus High
(P.67)



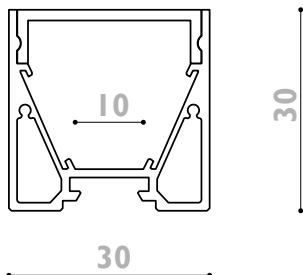
A3962 Cobe H
(P.76)



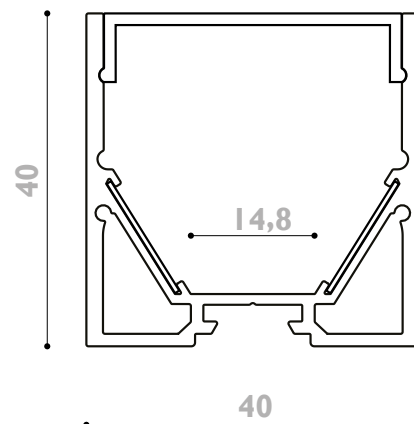
A3920 Trento
(P.77)



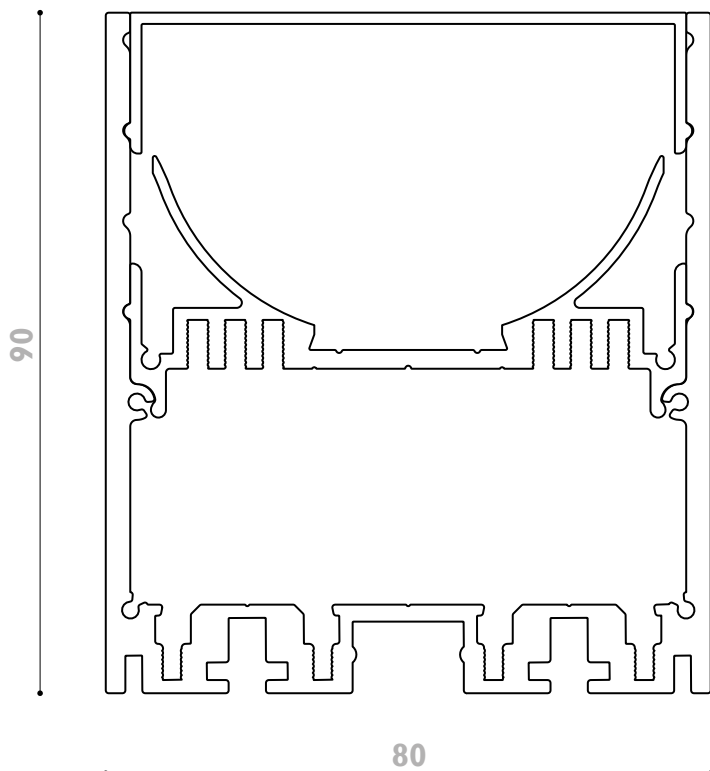
A3971 Alpha
(P.80)



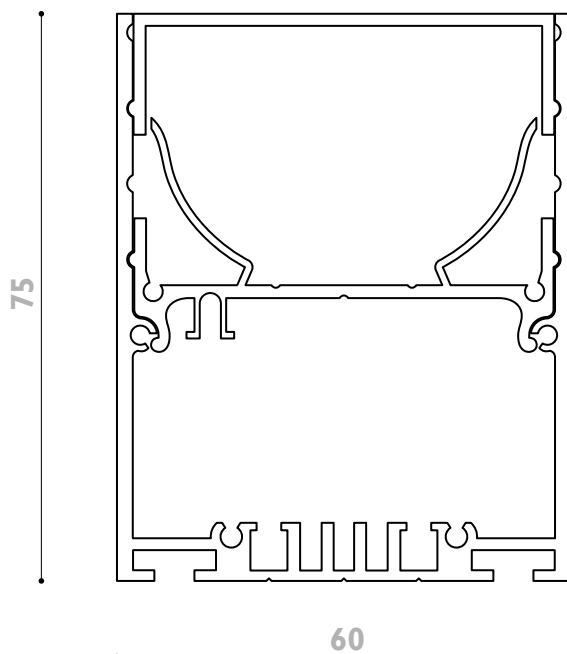
A3979 Alpha XL
(P.81)



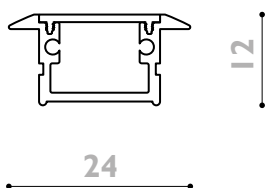
A3926 Octo
(P.83)



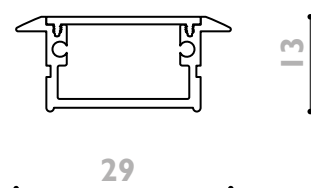
A3921 Saxo
(P.82)



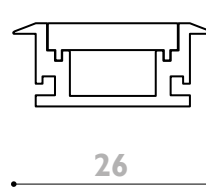
A39123 Belini
(P.92)



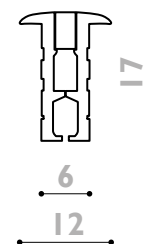
A39122 Belini XL
(P.93)



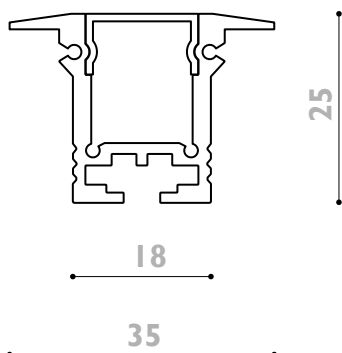
A39144 Solo
(P.91)



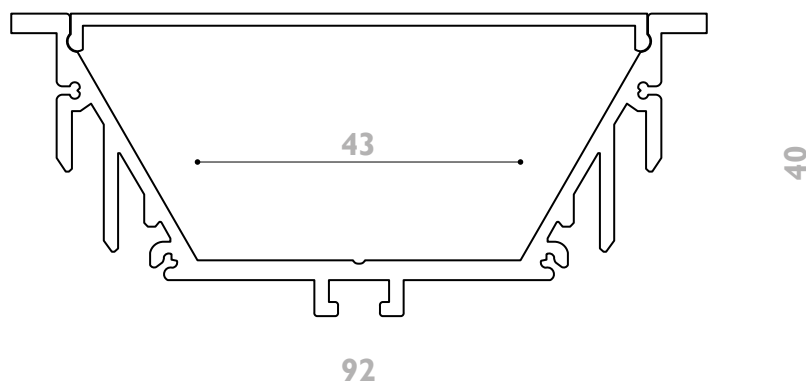
A39126 Sini T
(P.78)



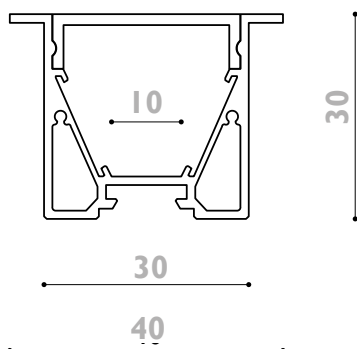
A3963 Cobe T
(P.90)



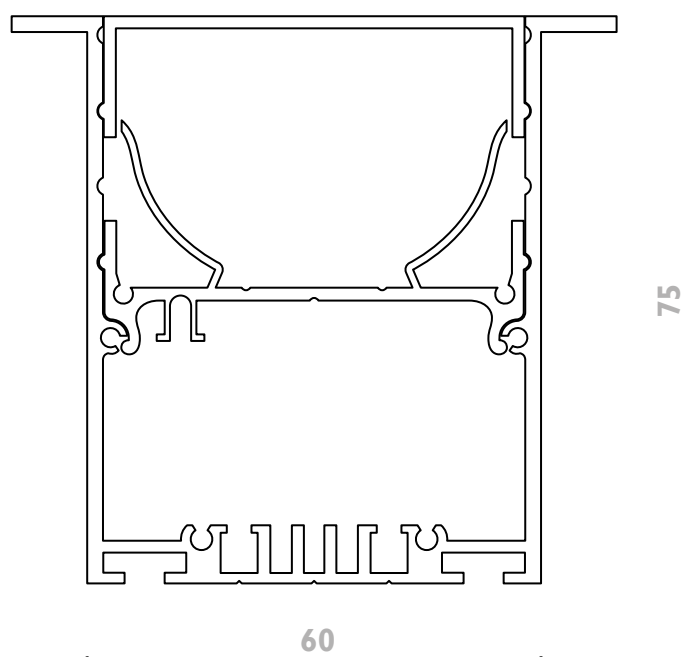
A3982 Astro T
(P.87)



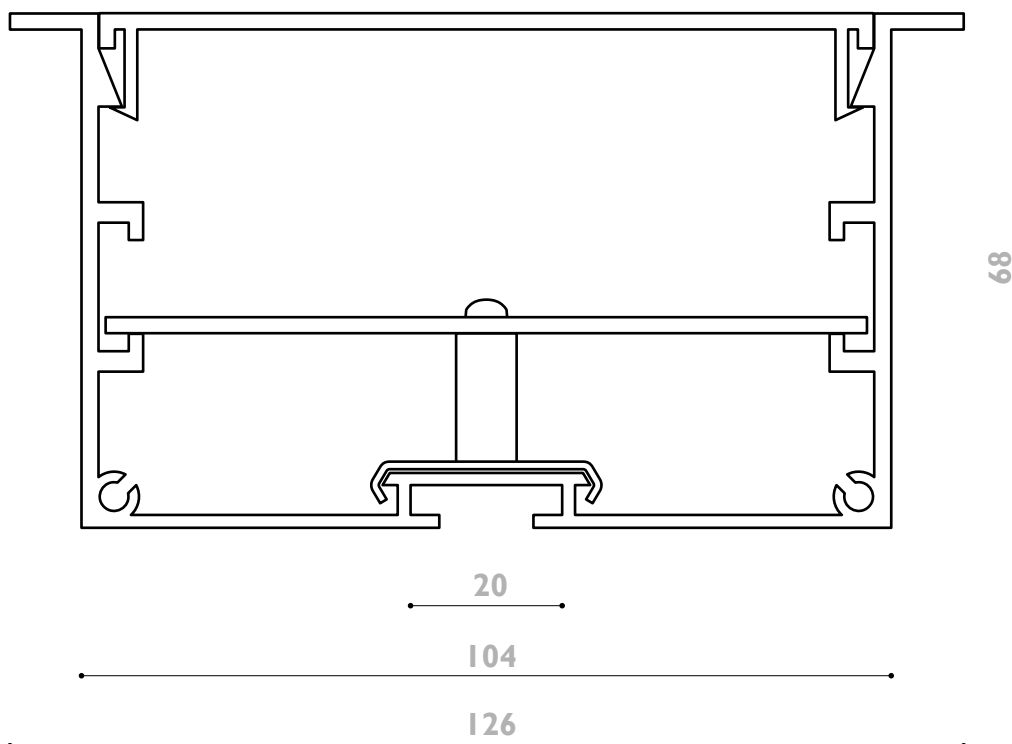
A3970 Alpha T
(P.88)



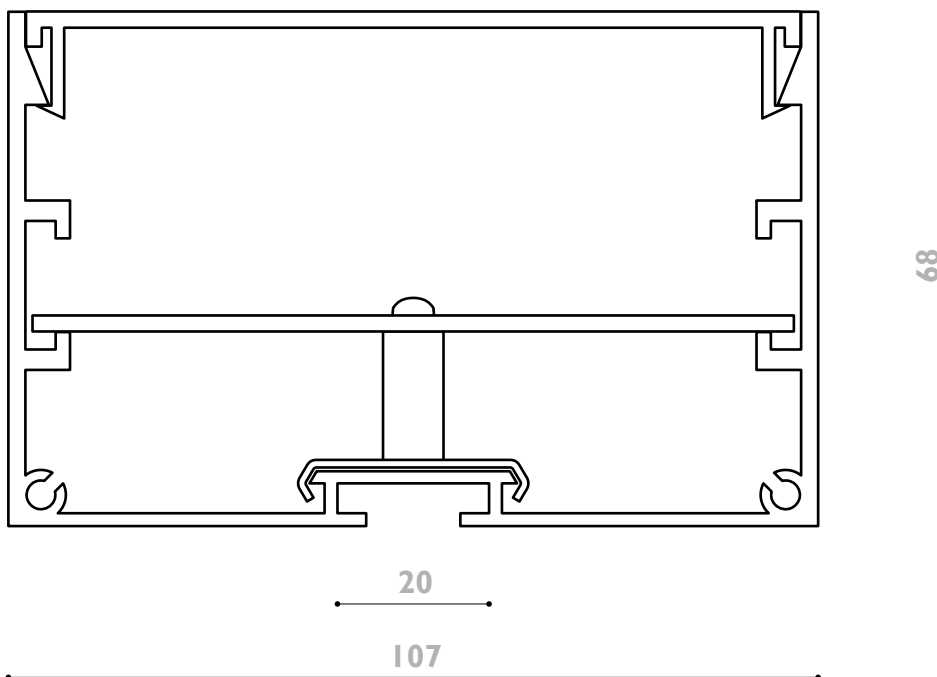
A3925 Saxo T
(p.89)



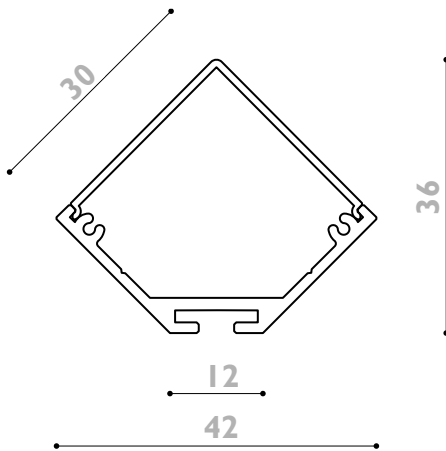
A39180 Cento T
(P.85)



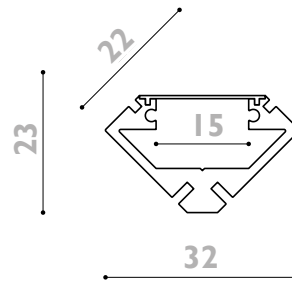
A39175 Cento
(P.84)



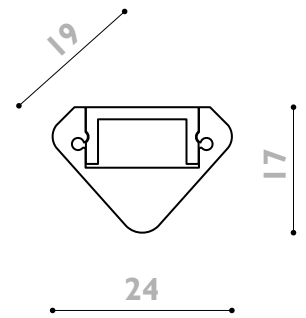
A3949 Angel
(P.96)



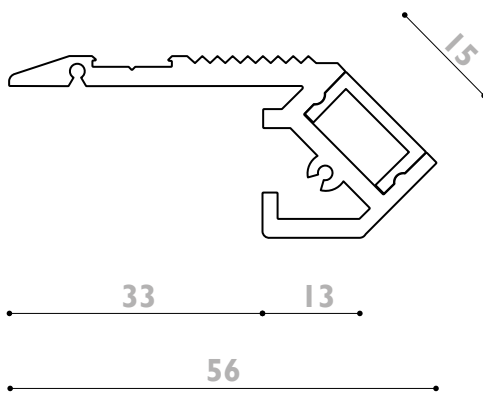
A39133 Sofia
(P.95)



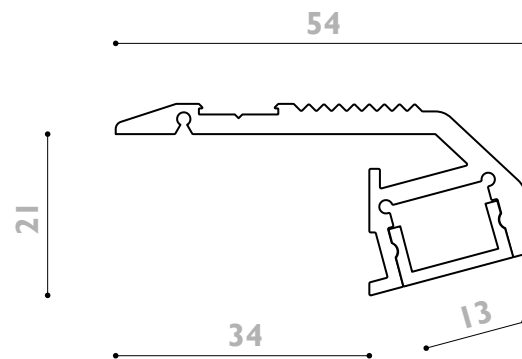
A3967 Trio
(P.94)



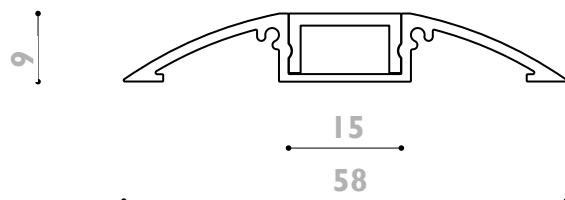
A3977 Step UP
(P.98)



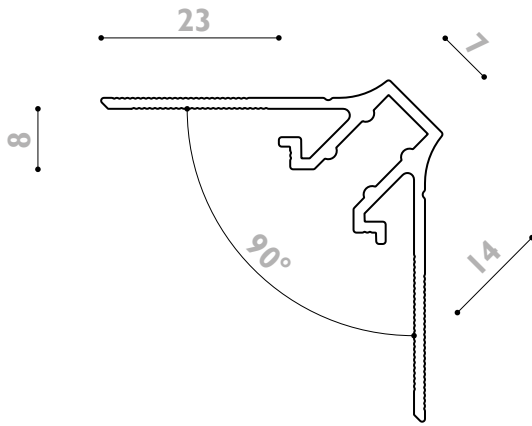
A3977 Step Down
(P.98)



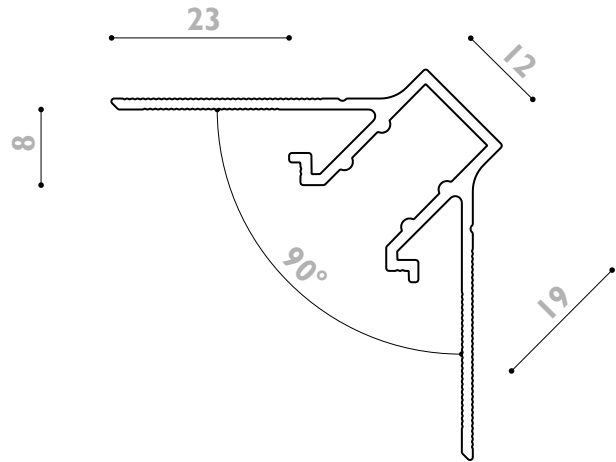
A3942 Fondo
(P.99)



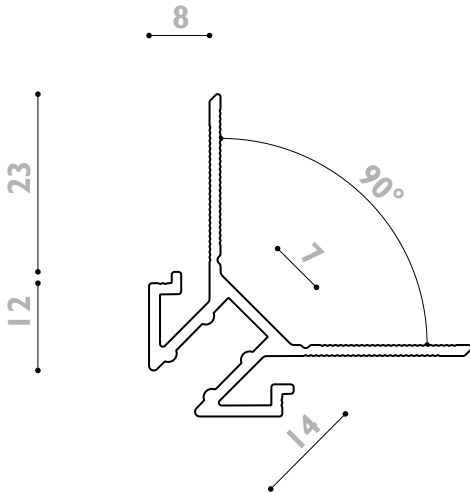
A3927 Corner
(P.97)



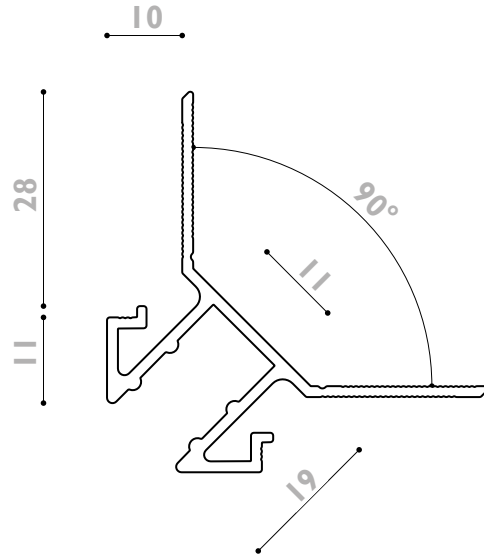
A3928 Corner
(P.97)



A3929 Corner
(P.97)

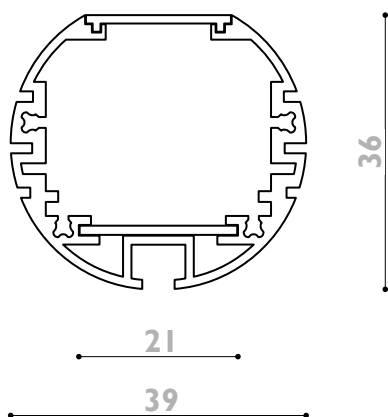


A3930 Corner
(P.97)

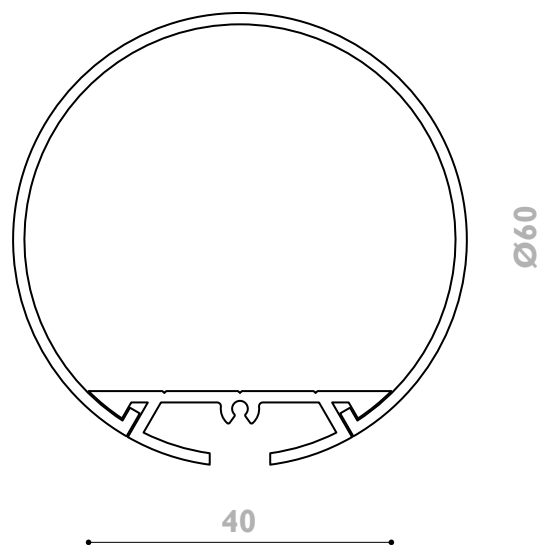




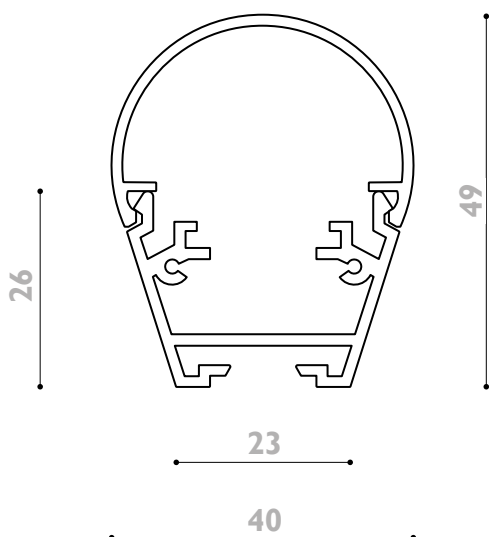
A39163 Olympe XL
(P.102)



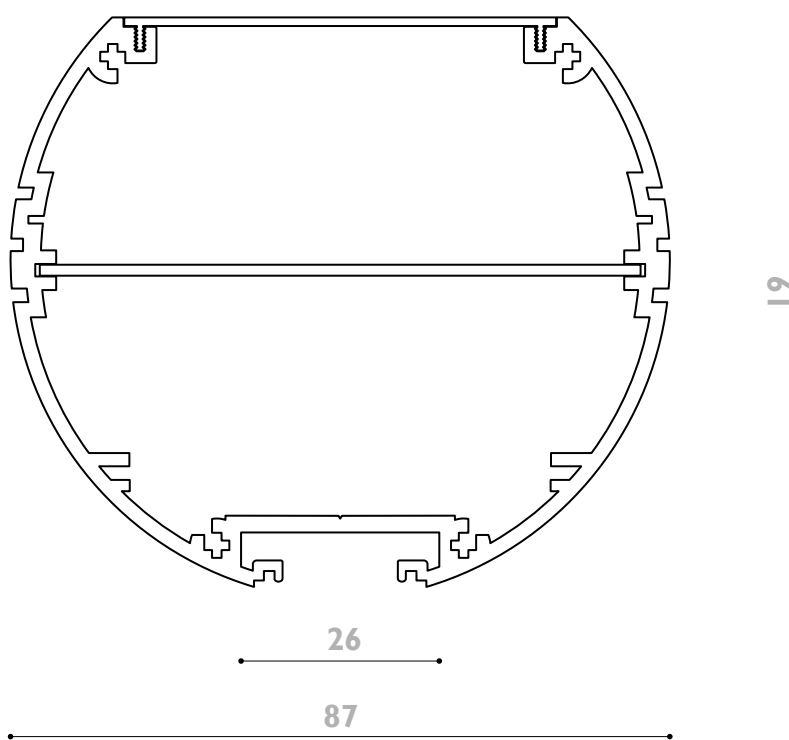
A39172 Odin
(P.101)



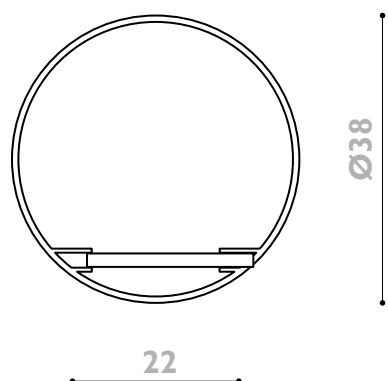
A3923 Garda
(P.107)



A39174 Oscar
(P.103)



A39165 Orion
(P.100)









STRIP

PURE CRI	19
ULTRACRI	21
DYNAMIC WHITE	25
3D	27
SNAKE	29
SLIM 5	31
REGULAR	33
HIGH EFFICACY	35
ULTRA EFFICACY	37
DISTANCE	39
PIXEL	41
PIXEL RGB	43
RGB	45
RGB+W	47
RGB2W	49
NEO 3D	51
NEO TOP	53
NEO SIDE	55



PURE CRI

Ultimate performance ledstrip CRI99
 Ruban très haute performance IRC99
 A4199



Indice de Rendu de Couleur IRC **Color Rendering CRI**
 99 (+/-1)

Température de couleur **Color CCT**
 2700K - 3000K - 4000K - 6000K

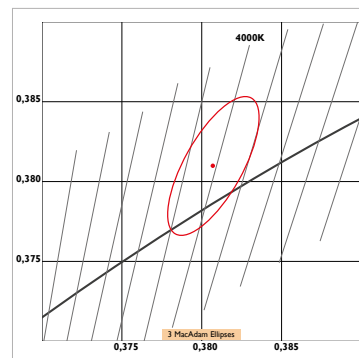
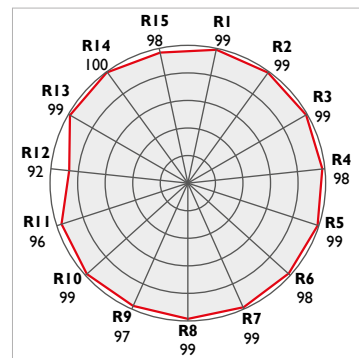
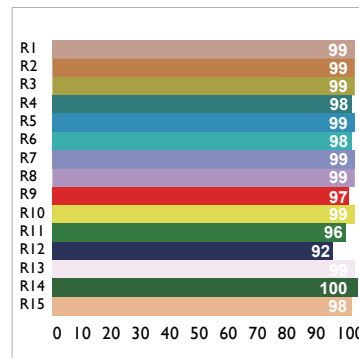
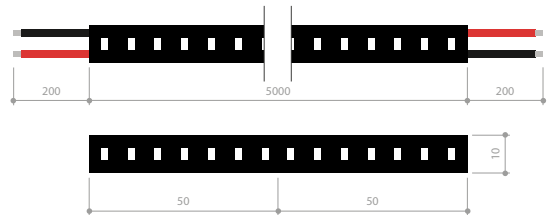
Rendement **Luminous Efficacy**
 65 lm/w - 80 lm/w

Puissance & nombre de led **Power & number of Led**
 26 w/m & 140 led/m | 13 w/m & 140 leds/m

Coupe **Cut**
 50 mm

Dimensions **Dimensions**
 5000 mm x 10 mm x 2 mm

Température d'utilisation **Ambiant temp.**
 - 10°C / + 40°C



A4199.26.140.940.IP20.DALI

Power & number led/m

26 w/m & 140 led/m
 13 w/m & 140 led/m
 Custom (5 to 15W)

26.140
 13.140

Led Color flux 13 w/m 26 w/m

2200K	960 lm	1920 lm	922
2700K	1140 lm	2100 lm	927
3000K	1220 lm	2240 lm	930
4000K	1360 lm	2500 lm	940

IP Rating

IP 20
 IP 67 TUBE
 Custom (IP20 or IP65)

IP20
 IP67

Dimming

No dimming
 Dali
 Dmx
 Dimming I to 10VDC
 Phase dimming digital

HF
 DALI
 DMX
 D10
 PHA



FENETRE SUR COUR - DOUET DESIGN

ULTRACRI

High performance ledstrip CRI between 97 and 98
Ruban led haute performance IRC compris entre 97 et 98
A4101



Indice de Rendu de Couleur IRC Color Rendering CRI 98 (+/-2)

Temperature de couleur Color CCT
1800K - 2100K - 2400K - 2700K - 3000K - 3500K - 4000K - 5000K - 6000K

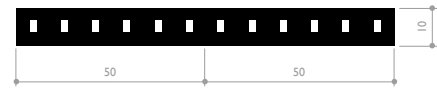
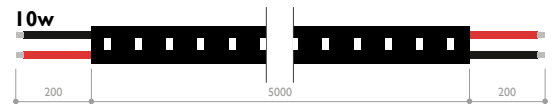
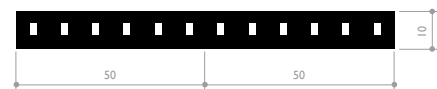
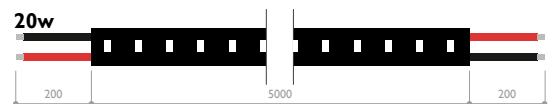
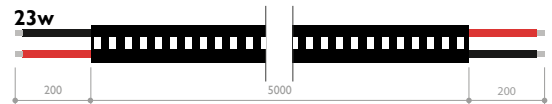
Rendement Luminous Efficacy
60 lm/w - 90 lm/w

Puissance & nombre de led Power & number of Led
23 w/m & 240 led/m | 20 w/m & 120 led/m | 10 w/m & 120 leds/m

Coupe Cut
33.3 mm (23w) | 50 mm (20w/10w)

Dimensions Dimensions
5000 mm x 10 mm x 2 mm

Température d'utilisation Ambient temp.
- 10°C / + 40°C



A4101.20.120.924.IP20.DALI

Power & number led/m

23 w/m & 240 led/m	new	23.240
20 w/m & 120 led/m		20.120
10 w/m & 120 led/m		10.120
Custom (5 to 15W)		

Led Color	flux 10 w/m	20 w/m	23 w/m	
1800K YP35	650 lm	1190 lm	2415 lm	918
2100K YN35	720 lm	1320 lm	2415 lm	921
2400K YM25	750 lm	1360 lm	2530 lm	924
2700K YK45	890 lm	1625 lm	2530 lm	927
3000K YJ65	890 lm	1625 lm	2530 lm	930
3500K YI45	890 lm	1625 lm	2620 lm	935
4000K YH54	950 lm	1735 lm	2700 lm	940
5000K YF50G	950 lm	1735 lm	2700 lm	950
6000K YC84	995 lm	1825 lm	2720 lm	960

Custom binning Yxxx
(See binning selection)

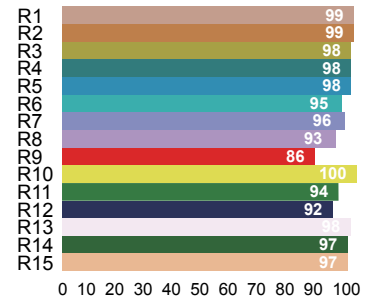
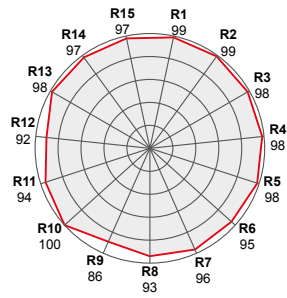
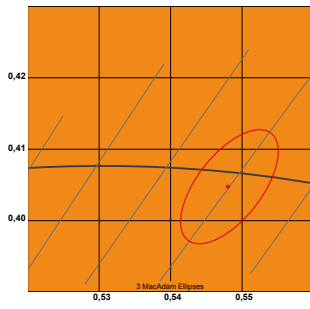
IP Rating

IP 20	IP20
IP 54	IP54
IP 67 TUBE	IP67
Custom (IP20 or IP65)	

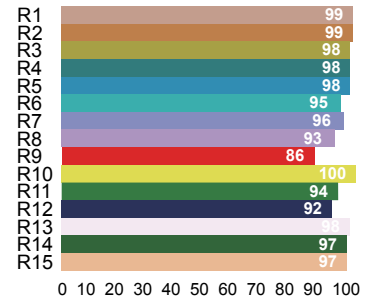
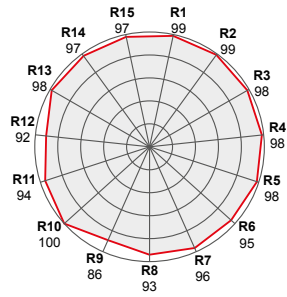
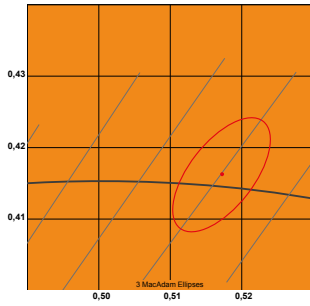
Dimming

No dimming	HF
Dali	DALI
Dmx	DMX
Dimming I to 10VDC	D10
Phase dimming digital	PHA

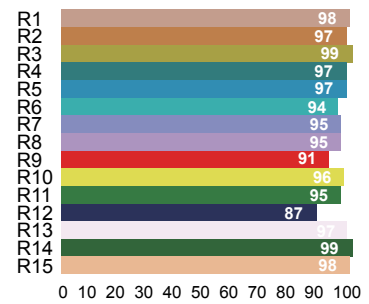
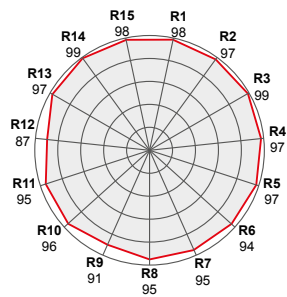
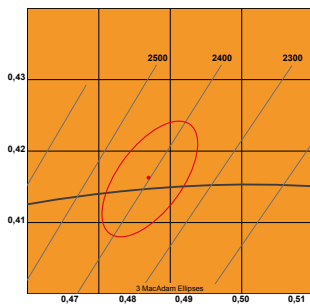
1800K | YP35 | $x = 0,547$ $y = 0,405$ | Ra 97 | R9 87 | CQS 97



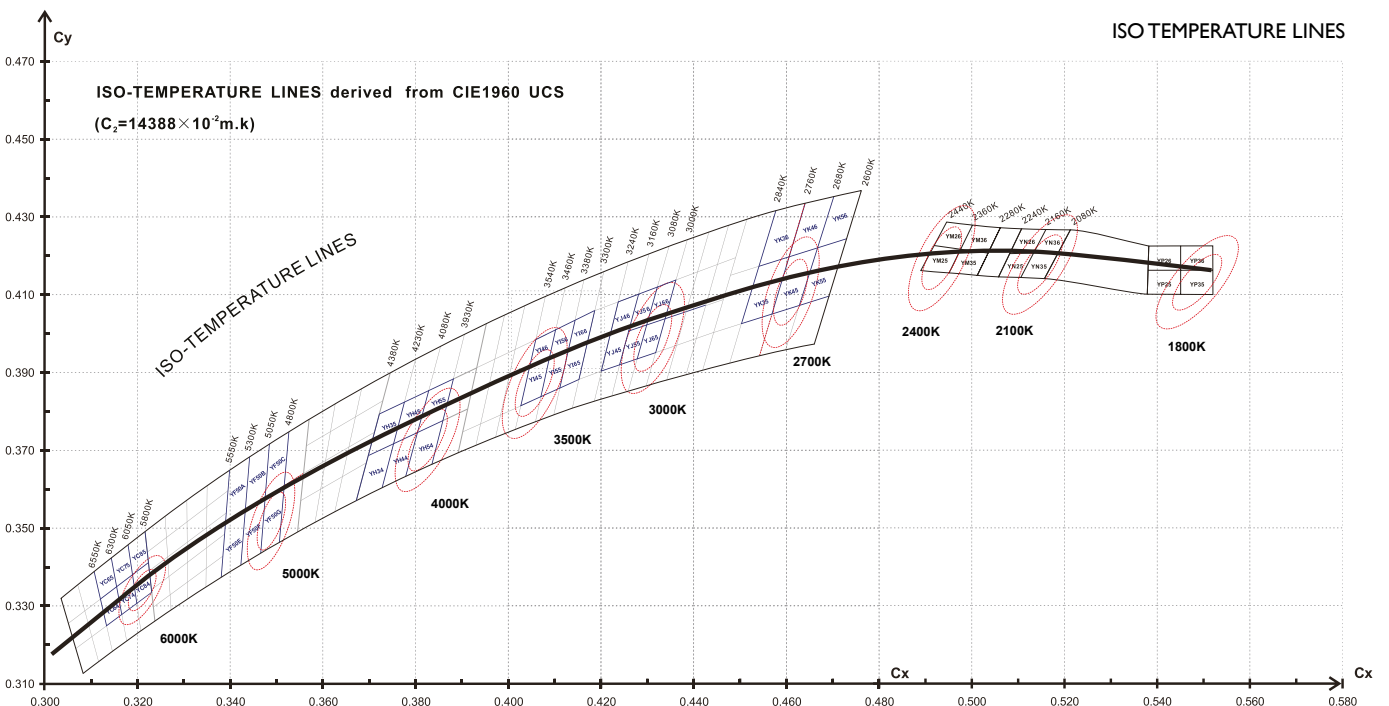
2100K | YN35 | $x = 0,516$ $y = 0,414$ | Ra 97 | R9 87 | CQS 97



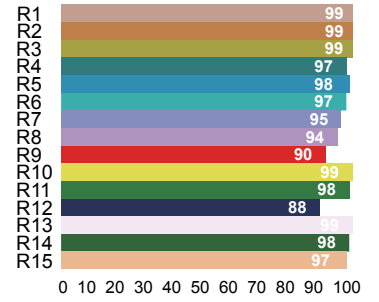
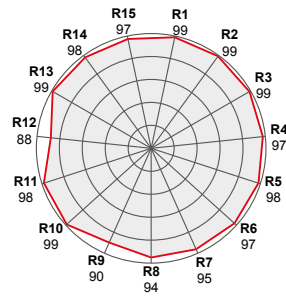
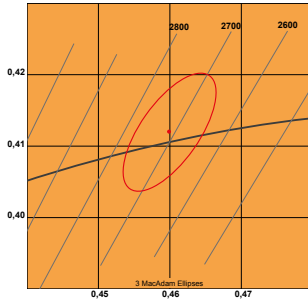
2400K | YM25 | $x = 0,487$ $y = 0,416$ | Ra 96 | R9 91 | CQS 95



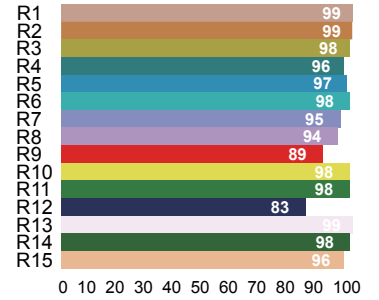
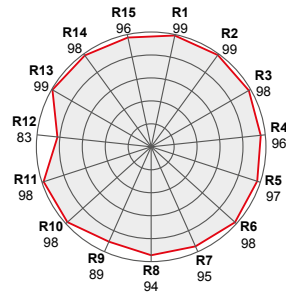
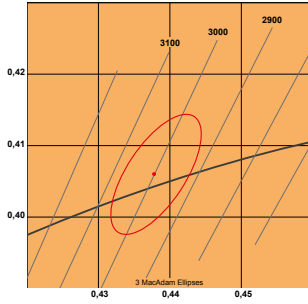
BINNING SELECTION FOR CUSTOM STRIP



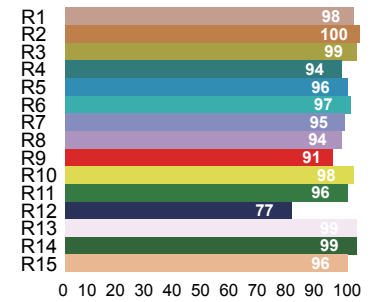
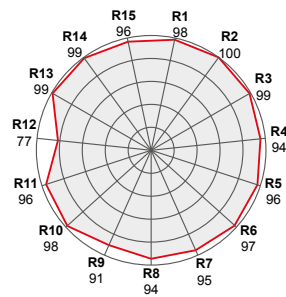
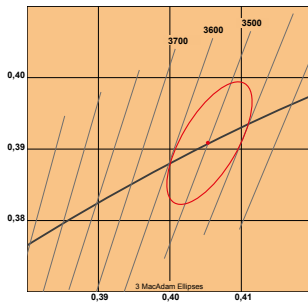
2700K | YK45 | $x = 0,460$ $y = 0,412$ | Ra 98 | R9 90 | CQS 94



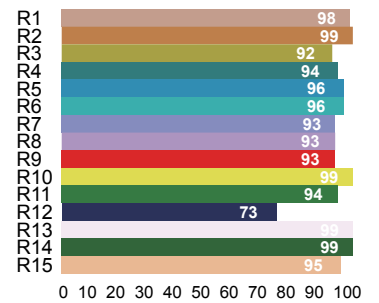
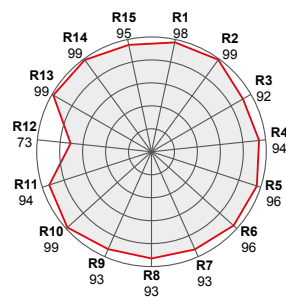
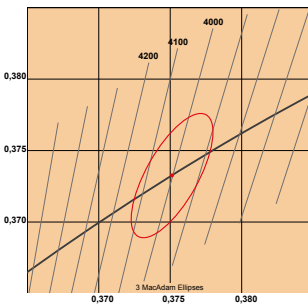
3000K | YJ65 | $x = 0,438$ $y = 0,406$ | Ra 97 | R9 90 | CQS 94



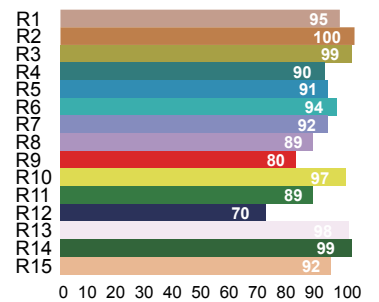
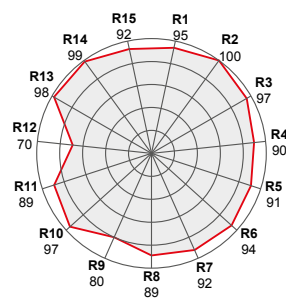
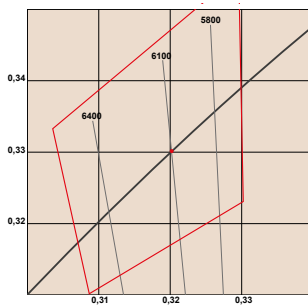
3500K | YI45 | $x = 0,405$ $y = 0,391$ | Ra 97 | R9 91 | CQS 94



4000K | YH54 | $x = 0,380$ $y = 0,377$ | Ra 96 | R9 93 | CQS 93



6000K | YC84 | $x = 0,320$ $y = 0,320$ | Ra 94 | R9 80 | CQS 90 | ANSI C78.377A





AIR FRANCE – ERIC GIZARD INTERIOR DESIGN

DYNAMIC WHITE

Tunable white led flex strip between 1800K & 6000K
 Ruban led à blanc réglable de 1800K à 6000K
A4102



Indice de Rendu de Couleur IRC Color Rendering CRI
 98 (+/-2)

Température de couleur Color CCT
 1800K - 2100K - 2400K - 2700K - 3000K - 3500K - 4000K - 5000K - 6000K

Rendement Luminous Efficacy
 60 lm/w - 90 lm/w

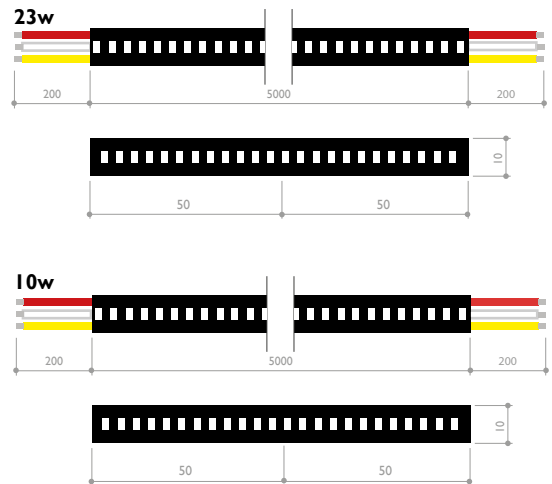
Puissance & nombre de led Power & number of Led
 23 w/m & 240 led/m | 10 w/m & 240 leds/m

Coupe Cut
 50 mm

Dimensions Dimensions
 5000 mm x 10 mm x 2 mm

Température d'utilisation Ambient temp.
 - 10°C / + 40°C

Tension d'alimentation Input voltage
 2 x 24Vdc



A4102.23.240.924.960.IP20.DALI

Power & number led/m

23 w/m & 240 led/m **23.240**
 10 w/m & 240 led/m **10.240**
 Custom (5 to 15W)

Led Color	flux 10 w/m	23 w/m	
1800K YP35	325 lm	850 lm	918
2100K YN35	360 lm	950 lm	921
2400K YM25	375 lm	985 lm	924
2700K YK45	445 lm	1170 lm	927
3000K YJ65	445 lm	1170 lm	930
3500K YI45	445 lm	1170 lm	935
4000K YH54	475 lm	1250 lm	940
5000K YF50G	475 lm	1250 lm	950
6000K YC84	498 lm	1300 lm	960

Custom binning Yxxx
 (See binning selection)

IP Rating

IP 20 **IP20**
 IP 54 **IP54**
 IP 67 TUBE **IP67**
 Custom (IP20 or IP65)

Dimming

Dali **DALI**
 Dmx **DMX**
 Dimming I to 10VDC **D10**



FENETRE SUR COUR - DOUET DESIGN

3D

3D led strip - 90 to 180 angle bend application
Ruban led 3D pour applications courbes

A4103



Indice de Rendu de Couleur IRC Color Rendering CRI
98 (+/-2)

Temperature de couleur Color CCT
1800K - 2100K - 2400K - 2700K - 3000K - 3500K - 4000K - 5000K - 6000K

Rendement Luminous Efficacy
60 lm/w - 90 lm/w

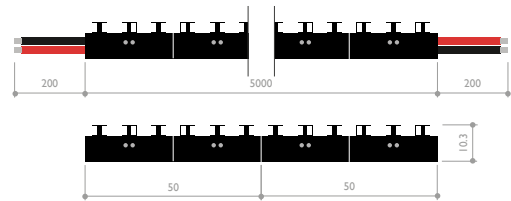
Puissance & nombre de led Power & number of Led
10 w/m & 120 leds/m

Coupe Cut
50 mm

Dimensions Dimensions
5000 mm x 12 mm x 6 mm

Température d'utilisation Ambient temp.
- 10°C / + 40°C

Tension d'alimentation Input voltage
24Vdc



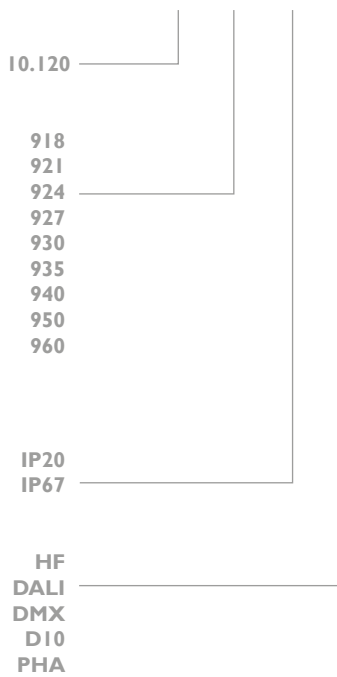
A4103.10.120.924.IP67.DALI

Power & number led/m
10 w/m & 120 led/m

Led Color	flux lm/m	
1800K YP35	490 lm	918
2100K YN35	540 lm	921
2400K YM25	560 lm	924
2700K YK45	645 lm	927
3000K YJ65	645 lm	930
3500K YI45	645 lm	935
4000K YH54	710 lm	940
5000K YF50G	710 lm	950
6000K YC84	750 lm	960
Custom binning Yxxx (See binning selection)		

IP Rating
IP 20
IP 67 TUBE

Dimming
No dimming
Dali
Dmx
Dimming I to 10VDC
Phase dimming digital





SNAKE

Angle bendable ledstrip for custom shape lighting applications
Ruban led à courber dans différentes directions

A4105



Indice de Rendu de Couleur IRC Color Rendering CRI
98 (5w) / 93 (12w)

Température de couleur Color CCT
1800K - 2100K - 2400K - 2700K - 3000K - 3500K - 4000K - 5000K - 6000K

Rendement Luminous Efficacy
60 lm/w - 90 lm/w

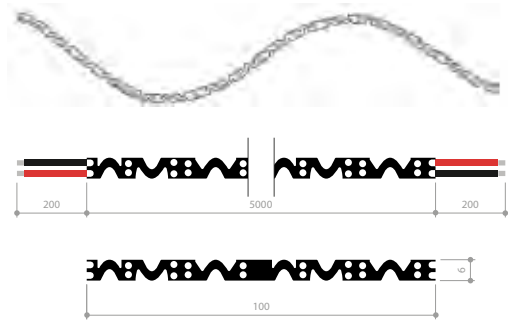
Puissance & nombre de led Power & number of Led
5 w/m & 60 leds/m | 12 w/m & 60 leds/m

Coupe Cut
100 mm

Dimensions Dimensions
5000 mm x 7 mm x 2 mm

Température d'utilisation Ambient temp.
- 10°C / + 40°C

Tension d'alimentation Input voltage
24Vdc



A4105.05.60.924.IP20.DALI

Power & number led/m

5 w/m & 60 led/m
12 w/m & 60 led/m

05.60
12.60

Led Color

	5w/m	12w/m	
1800K YP35	250 lm	-	918
2100K YN35	270 lm	1050 lm	921
2400K YM25	300 lm	1070 lm	924
2700K YK45	360 lm	1100 lm	927
3000K YJ65	360 lm	1130 lm	930
3500K YI45	360 lm	-	935
4000K YH54	390 lm	1160 lm	940
5000K YF50G	360 lm	-	950
6000K YC84	400 lm	1190 lm	960

Custom binning Yxxx
(See binning selection)

IP Rating

IP 20

IP20

Dimming

No dimming
Dali
Dmx
Dimming I to 10VDC
Phase dimming digital

HF
DALI
DMX
D10
PHA



SLIM

5mm & 8mm slimstrip with CRI between 93 and 98
 Ruban 5mm & 8mm avec IRC compris entre 93 et 98
A4118 (8mm) | A4110 (5mm)



Indice de Rendu de Couleur IRC Color Rendering CRI
 98 (+/-2) | 93 (slim5)

Temperature de couleur Color CCT
 1800K - 2100K - 2400K - 2700K - 3000K - 3500K - 4000K - 5000K - 6000K

Rendement Luminous Efficacy
 60 lm/w - 90 lm/w

Puissance & nombre de led Power & number of Led
 10 w/m & 120 leds/m (A4118) | 15 w/m & 180 leds/m (A4110 or A4118)

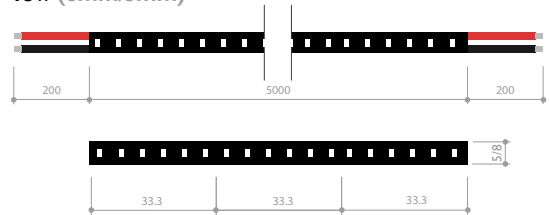
Coupe Cut
 50 mm | 33.3 mm

Dimensions Dimensions
 5000 mm x 8 mm x 2 mm (A4118) | 5000 mm x 5 mm x 2 mm (A4110)

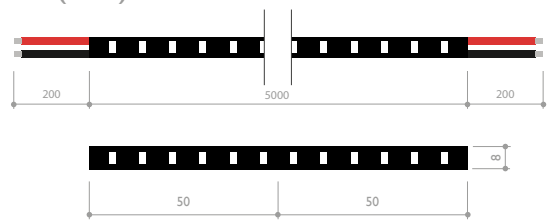
Température d'utilisation Ambient temp.
 - 10°C / + 40°C

Tension d'alimentation Input voltage
 24Vdc

15w (8mm/5mm)



10w (8mm)



A4118 or A4110.15.180.924.IP20.DALI

Power & number led/m

15 w/m & 180 led/m	15.180
10 w/m & 180 led/m (A4110 only)	10.120
Custom (5w)	

Led Color	flux 10 w/m	15 w/m	
1800K YP35	720 lm	1080 lm	918
2100K YN35	720 lm	1080 lm	921
2400K YM25	750 lm	1120 lm	924
2700K YK45	890 lm	1330 lm	927
3000K YJ65	890 lm	1330 lm	930
3500K YI45	890 lm	1330 lm	935
4000K YH54	950 lm	1420 lm	940
5000K YF50G	950 lm	1420 lm	950
6000K YC84	995 lm	1490 lm	960

Custom binning Yxxx
 (See binning selection)

IP Rating

IP 20	IP20
IP 54	IP54
IP 67 TUBE	IP67
Custom (IP20 or IP65)	

Dimming

No dimming	HF
Dali	DALI
Dmx	DMX



REGULAR

CRI93 strip with latest LED generation
Ruban CRI93 de dernière génération

A4109



Indice de Rendu de Couleur IRC Color Rendering CRI
R9>70 - 93 (+/-2)

Temperature de couleur Color CCT
1800K - 2100K - 2400K - 2700K - 3000K - 4000K - 6000K - R - G - B - Y

Rendement Luminous Efficacy
90 lm/w - 110 lm/w

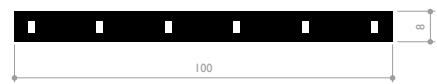
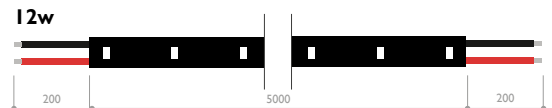
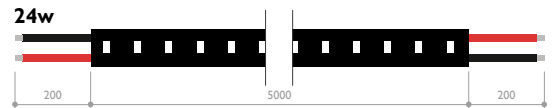
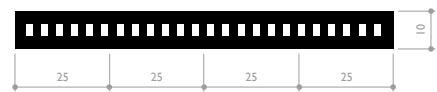
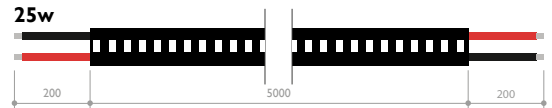
Puissance & nombre de led Power & number of Led
25 w/m & 240 led/m | 24 w/m & 120 led/m | 12 w/m & 60 leds/m

Coupe Cut
25 mm (25w) | 50 mm (24w) | 100 mm (12w)

Dimensions Dimensions
5000 x 10 x 2 mm (25w/24w) | 5000 x 8 x 2 mm (12w)

Température d'utilisation Ambient temp.
- 10°C / + 40°C

Tension d'alimentation Input voltage
24Vdc



A4109.24.120.924.IP20.DALI

Power & number led/m

25 w/m & 240 led/m	25.240
24 w/m & 120 led/m	24.120
12 w/m & 60 led/m	12.60

Led Color	12 w/m	24 w/m	25 w/m	
1800K	1030 lm	2060 lm	2110 lm	918
2100K	1090 lm	2190 lm	2280 lm	921
2400K	1110 lm	2220 lm	2330 lm	924
2700K	1150 lm	2300 lm	2390 lm	927
3000K	1170 lm	2340 lm	2450 lm	930
4000K	1200 lm	2400 lm	2500 lm	940
6000K	1230 lm	2460 lm	2550 lm	960

IP Rating

IP 20	IP20
IP 65 H	IP65

Dimming

No dimming	HF
Dali	DALI
Dmx	DMX
Dimming I to 10VDC	D10
Phase dimming digital	PHA



HIGH EFFICACY

Linear strip high efficacy 150 lm/w
Lineaire haute efficacité 150 lm/w
A4111



Indice de Rendu de Couleur IRC Color Rendering CRI
>82

Temperature de couleur Color CCT
2700K - 3000K - 4000K - 6000K

Rendement Luminous Efficacy
150 lm/w

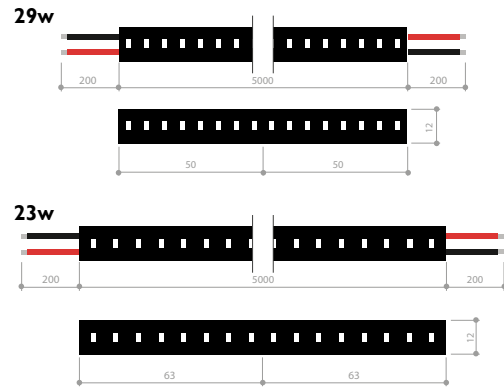
Puissance & nombre de led Power & number of Led
29 w/m & 160 led/m | 23 w/m & 128 led/m

Coupe Cut
50 mm (29w) | 62.5 mm (23w)

Dimensions Dimensions
3000 x 12 x 2 mm (29w) | 5000 x 12 x 2 mm (23w)

Température d'utilisation Ambient temp.
- 10°C / + 40°C

Tension d'alimentation Input voltage
24Vdc



A4111.29.160.840.IP20.DALI

Power & number led/m

29 w/m & 160 led/m **29.160**
23 w/m & 128 led/m **23.128**

Led Color	flux 23 w/m	29 w/m	
2700K	3070 lm	3840 lm	827
3000K	3070 lm	3840 lm	830
4000K	3450 lm	4320 lm	840
6000K	3450 lm	4320 lm	860

IP Rating

IP 20 **IP20**
IP 54 **IP54**
IP 67 T (23w only) **IP67**

Dimming

No dimming **HF**
Dali **DALI**
Dmx **DMX**
Dimming I to 10VDC **D10**
Phase dimming digital **PHA**



IMMEUBLE LEGO BORDEAUX - SEUL SOLEIL

ULTRA EFFICACY

Linear strip with ultra efficacy up to 6000lm/m
and up to 170 lm/w

Lineaire ultra efficacité jusqu'à 6000 lm/m
& jusqu'à 170 lm/w

A4116



Indice de Rendu de Couleur IRC Color Rendering CRI
>82

Temperature de couleur Color CCT
2700K - 3000K - 4000K - 6000K

Rendement Luminous Efficacy
170 lm/w (41w) | 150 lm/w (29w)

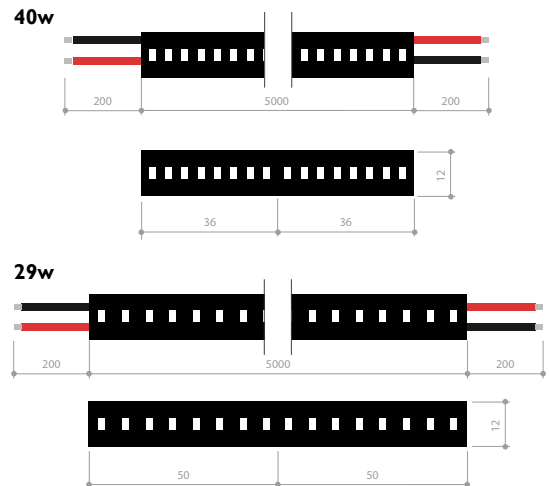
issance & nombre de led Power & number of Led
41 w/m & 224 led/m | 29 w/m & 160 led/m

Coupe Cut
35.7 mm (41w) | 50 mm (29w)

Dimensions Dimensions
3000 x 12 x 2 mm

Température d'utilisation Ambient temp.
- 10°C / + 40°C

Tension d'alimentation Input voltage
24Vdc



A4116.41.224.840.IP20.DALI

Power & number led/m

41 w/m & 224 led/m
29 w/m & 160 led/m

41.224
29.160

Led Color

flux	29w/m	41 w/m
2700K	4800 lm	5800 lm
3000K	4800 lm	5800 lm
4000K	4900 lm	6050 lm
6000K	4900 lm	6050 lm

827
830
840
860

IP Rating

IP 20
IP 54

IP20
IP54

Dimming

No dimming
Dali
Dmx
Dimming I to 10VDC
Phase dimming digital

HF
DALI
DMX
D10
PHA



CARREFOUR - SEUL SOLEIL

DISTANCE

Linear strip up to 50m by two end powered
Lineaire grande longueur jusqu'à 50m
avec alimentation aux deux extrémités

A412I



Indice de Rendu de Couleur IRC Color Rendering CRI

80 / 90 / 98

Température de couleur Color CCT

2400K - 2700K - 3000K - 4000K - 6000K

Rendement Luminous Efficacy

120 lm/w (irc80)

Puissance & nombre de led Power & number of Led

15 w/m & 120 led/m | 7 w/m & 60 led/m | 4 w/m & 60 led/m

Coupe Cut

50 mm (15w) | 100 mm (7 & 4w)

Dimensions Dimensions

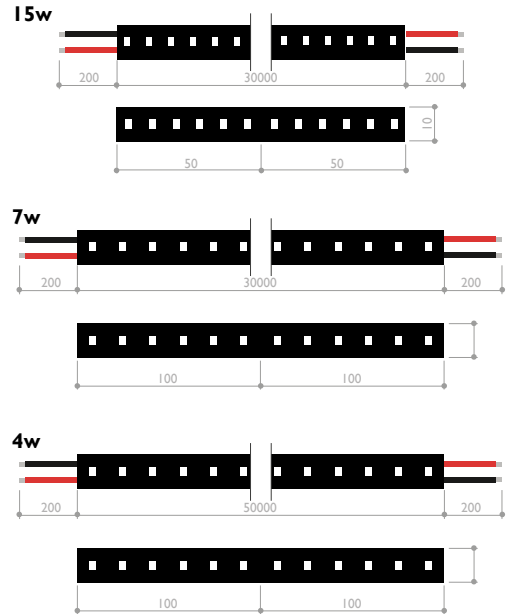
30000/50000 x 10 x 2 mm (IP20) | 30000/50000 x 12 x 5 mm (IP67 tube)

Température d'utilisation Ambient temp.

- 20°C / + 40°C

Tension d'alimentation Input voltage

24Vdc



A412I.15.120.830.IP67.DALI

Power & number led/m

15 w/m & 120 led/m (30m)
7 w/m & 60 led/m (30m)
4 w/m & 60 led/m (50m)

15.120
7.60
4.60

Color	15 w/m	7 w/m	4 w/m	
2400K	1500 lm	750 lm	450 lm	824
2700K	1500 lm	750 lm	450 lm	827
3000K	1500 lm	750 lm	450 lm	830
4000K	1680 lm	840 lm	510 lm	840
6000K	1680 lm	840 lm	510 lm	860

824
827
830
840
860

IP Rating

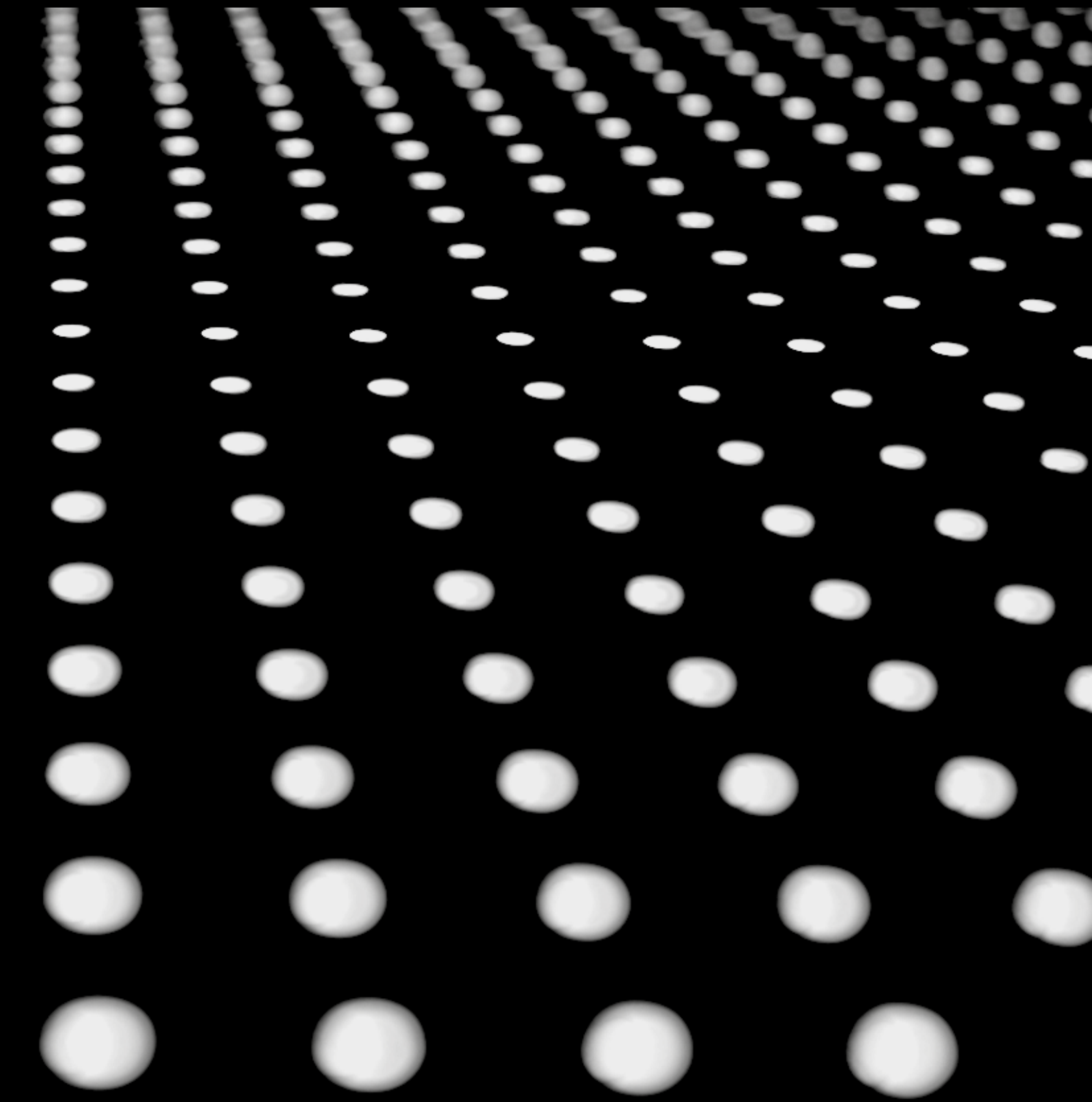
IP 20
IP 67 T

IP20
IP67

Dimming

No dimming
Dali
Dmx
Dimming I to 10VDC
Phase dimming digital

HF
DALI
DMX
D10
PHA



PIXEL

DIGITAL strip with latest Monochip LED generation
 Ruban monochip DIGITAL de dernière génération
A4119



Indice de Rendu de Couleur IRC Color Rendering CRI
 82 (+/-2)

Temperature de couleur Color CCT
 2700K - 3000K - 4000K - 6000K - R - G - B

Rendement Luminous Efficacy
 90 lm/w

Puissance & nombre de led Power & number of Led
 7 w/m & 60 leds/m | 15 w/m & 60 leds/m

Coupe Cut
 16.6mm (7w) | 50 mm (15w)

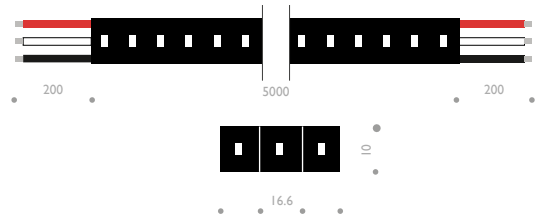
Dimensions Dimensions
 5000 x 12 x 2 mm (7w) | 5000 x 10 x 2 mm (15w)

Température d'utilisation Ambient temp.
 - 5°C / + 40°C

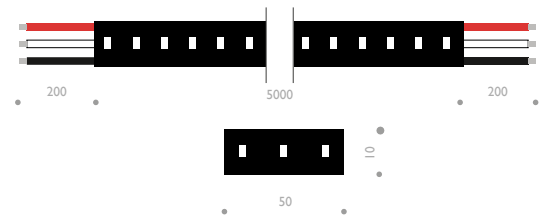
SPI protocole SPI Protocol
 SK9822 (7w) | WS2811 (15w)

Tension d'alimentation Input voltage
 5Vdc (7w) | 12Vdc (15w)

7w



15w



A4119.15.60.930.IP20.SPI

Power & number led/m			
7 w/m & 60 led/m		07.60	
15 w/m & 60 led/m		15.60	
Led Color			
2700K	980 lm	927	
3000K	1110 lm	930	
4000K	1260 lm	940	
6000K	1280 lm	960	
Red		R	
Green		G	
Blue		B	
IP Rating			
IP 20		IP20	
IP 54		IP54	
IP 67 T		IP67	
Dimming			
Arnet SPI		SPI	
Dmx		DMX	



PIXEL RGB

RGB DIGITAL strip with latest Monochip LED generation
 Ruban monochip RGB DIGITAL de dernière génération
A4120



Couleur Color

■ R 620/625 nm | ■ G 520/525 nm | ■ B 465/470 nm

Puissance lumineuse Luminous output
8/10 lm/led

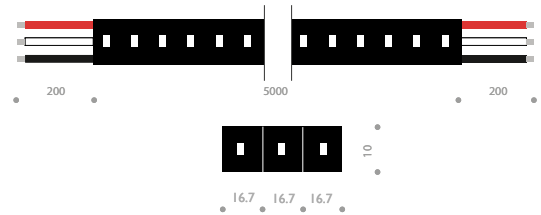
Puissance & nombre de led Power & number of Led
15 w/m & 60 leds/m

Coupe Cut
16.7 mm

Dimensions Dimensions
5000 x 10 x 2 mm

Température d'utilisation Ambient temp.
- 10°C / + 40°C

Tension d'alimentation Input voltage
12 Vdc

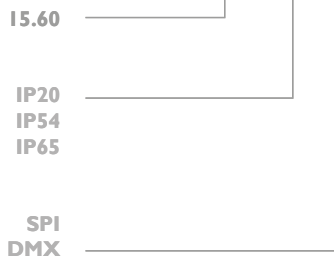


A4120.15.60.IP20.DMX

Power & number led/m
18 w/m & 60 led/m

IP Rating
IP 20
IP 54
IP 65H

Dimming
Artnet SPI
Dmx





RGB

RGB strip with latest Monochip LED generation
 Ruban monochip RGB de dernière génération
A4106



Couleur Color

■ R 620/625 nm | ■ G 520/525 nm | ■ B 465/470 nm

Puissance lumineuse Luminous output
 8/10 lm/led

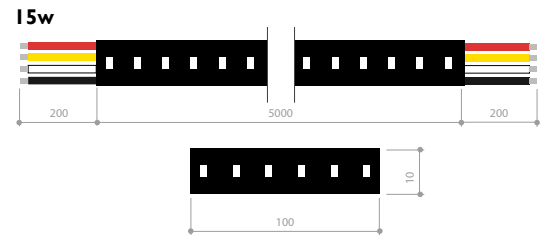
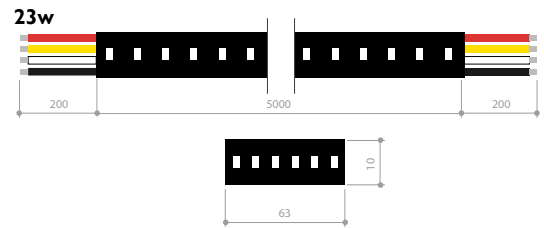
Puissance & nombre de led Power & number of Led
 23 w/m & 96 leds/m | 15 w/m & 60 leds/m

Coupe Cut
 62.5 mm (23w) | 100 mm (15w)

Dimensions Dimensions
 5000 x 10 x 2 mm

Température d'utilisation Ambient temp.
 - 10°C / + 40°C

Tension d'alimentation Input voltage
 3x24 Vdc

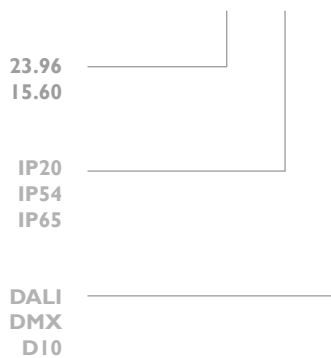


A4106.23.96.IP20.DALI

Power & number led/m
 23 w/m & 96 led/m
 15 w/m & 60 led/m

IP Rating
 IP 20
 IP 54
 IP 65 R

Dimming
 Dali
 Dmx
 Dimming I to 10VDC





RGB+W

RGB+W strip with latest RGB LED generation
 Ruban RGB+W de dernière génération
A4107



Couleurs RGB RGB Colors

■ R 620/625 nm | ■ G 520/525 nm | ■ B 465/470 nm

Temperature de couleur White CCT

□ 2100K - 2400K - 2700K - 3000K - 4000K - 6100K

Indice de Rendu de Couleur IRC White Color Rendering CRI

94 (+/-2)

Puissance lumineuse Luminous output

1050/1400 lm/m (W) | 380/480 lm/m (RGB)

Puissance & nombre de led Power & number of Led

23 w/m & 2x96 leds/m

Coupe Cut

62.5 mm (8 leds W + 8 leds RGB)

Dimensions Dimensions

5000 x 12 x 2 mm

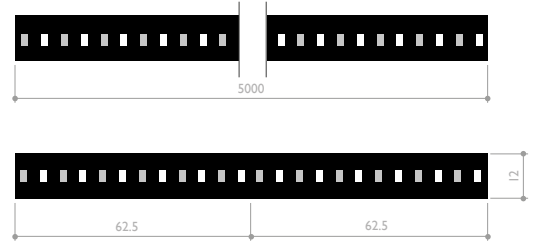
Température d'utilisation Ambient temp.

- 10°C / + 40°C

Tension d'alimentation Input voltage

4x24 Vdc

23w



A4107.23.96.924.960.IP20.DALI

Power & number led/m
 23 w/m & 96 led/m

Led Color

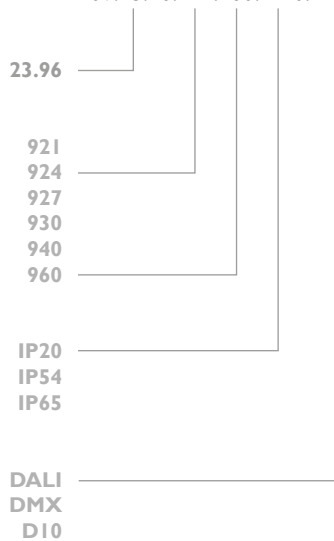
- 2100K
- 2400K
- 2700K
- 3000K
- 4000K
- 6000K

IP Rating

- IP 20
- IP 54
- IP 65 R

Dimming

- Dali
- Dmx
- Dimming I to 10VDC





RGB2W

RGB2W strip with latest Monochip LED generation
Ruban RGB2W monochip de dernière génération

A4117



Couleurs RGB RGB Colors

■ R 620/625 nm | ■ G 520/525 nm | ■ B 465/470 nm

Température de couleur White CCT

□ 2700K - 3000K - 4000K - 6100K

Indice de Rendu de Couleur IRC White Color Rendering CRI

85

Puissance lumineuse Luminous output

1050/1400 lm/m(WW+CW) | 380/480 lm/m (RGB)

Puissance & nombre de led Power & number of Led

23 w/m & 96 leds/m

Coupe Cut

62.5 mm

Dimensions Dimensions

5000 x 12 x 2 mm

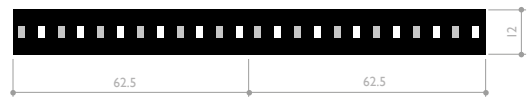
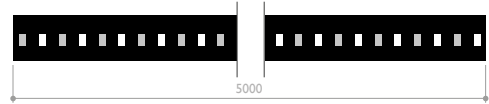
Température d'utilisation Ambient temp.

- 10°C / + 40°C

Tension d'alimentation Input voltage

5x24 Vdc

23w



A4117.23.96.RGB2W.IP20.DALI

Power & number led/m
23 w/m & 96 led/m

23.96

IP Rating

IP 20
IP 54
IP 65 R

IP20
IP54
IP65

Dimming

Dali
Dmx
Dimming I to 10VDC

DALI
DMX
D I 0



NEO 3D

Professionnal dotfree flexible led light line IP67
 Ligne led professionnelle uniforme flexible IP67
A4113.1515



Temperature de couleur White CCT

2200K - 2800K - 3200K - 4400K | R / G / B / Y | DW | RGB | RGBX

Indice de Rendu de Couleur IRC White Color Rendering CRI
 > 82

Puissance lumineuse Luminous output
 (3200K) 510 lm

Puissance Power
 8 w/m (W & R / G / B / Y)

Coupe Cut
 41.66 mm

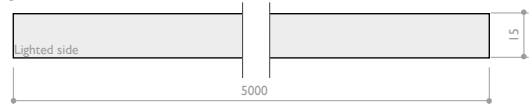
Dimensions & Rayon courbure mini Dimensions & min. bending radius
 5000 x 15 x 15 mm | > 60 mm

Indices de protection & norme Standards
 IP67 | IK08 | CE | UL Listed

Température d'utilisation Ambient temp.
 - 10°C / + 40°C

Tension d'alimentation Input voltage
 24Vdc

8 w



A4113.1515.828.IP67.DALI

Led Color	lm/m	
2200K	450 lm	822
2800K	510 lm	828
3200K	510 lm	832
4400K	500 lm	844

Led Color	frequency	
Red	620/630 nm	R
Green	525/530 nm	G
Blue	465/470 nm	B
Yellow	587/592 nm	Y

	RGB	January 2020
RGB	RGBW	January 2020
RGBW	RGBX	January 2020
RGBX pixel		

IP Rating	
IP 67	IP67

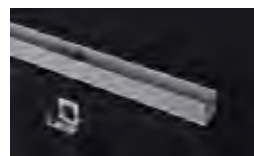
Dimming	
No dimming	HF
Dali	DALI
Dmx	DMX
Dimming I to 10VDC	D10
Phase dimming digital	PHA



A4113.1515.MGS
Moldable Groove Side



A4113.1515.MGT
Moldable Groove Top



A4113.1515.CLH
Trail - Rail alu



A4113.1515.CLP
Trail - Rail plastic



NEO TOP

Professionnal dotfree flexible led light line IP67

Ligne led professionnelle flexible IP67

A4114.1312



Temperature de couleur White CCT

2300K - 2700K - 3000K - 4000K | R / G / B / Y | DW | RGB | RGBX

Indice de Rendu de Couleur IRC White Color Rendering CRI
> 82

Puissance lumineuse Luminous output
(4000K) 670 lm

Puissance Power
11w/m(W) | 9w/m(R/G/B/Y) | 14w/m(DW&RGB) | 17w/m(RGBW) | 21w/m(RGBX)

Coupe Cut
50 mm(W&R/G/B/Y) | 31.3 mm(DW) | 83 mm(RGB) | 62.5 mm (RGBW) | 71.4 mm(RGBX)

Dimensions & Rayon courbure mini Dimensions & min. bending radius
5000 x 13 x 12 mm | > 60 mm

Indices de protection & norme Standards
IP67 | IK08 | CE | UL Listed

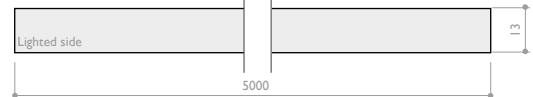
Température d'utilisation Ambient temp.
- 10°C / + 40°C

Tension d'alimentation Input voltage
24 Vdc

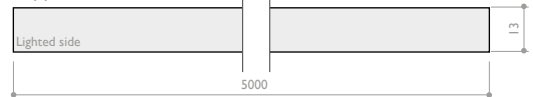
A4115.1312.827.IP67.DALI

Led Color	lm/m	
2300K	640 lm	823
2700K	640 lm	827
3000K	670 lm	830
4000K	670 lm	840
2700K/5000K	620 lm	DW
Led Color	frequency	
Red	620/630 nm	R
Green	525/530 nm	G
Blue	465/470 nm	B
Yellow	587/592 nm	Y
RGB		RGB
RGBW		RGBW
RGBX pixel		RGBX
IP Rating		
IP 67		IP67
Dimming		
No dimming		HF
Dali		DALI
Dmx		DMX
Dimming I to 10VDC		D10

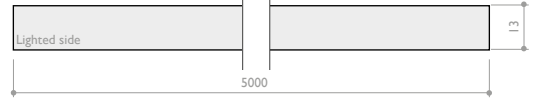
W & R / G / B / Y



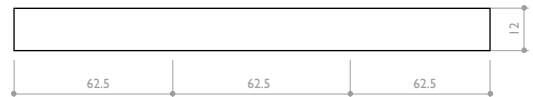
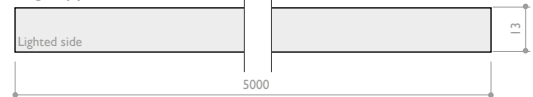
DW



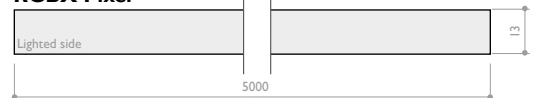
RGB



RGBW



RGBX Pixel





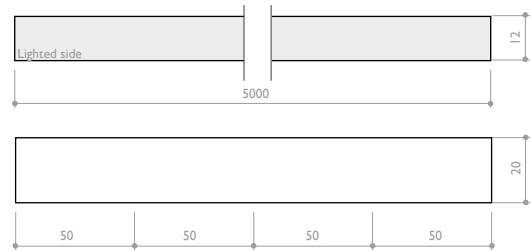
NEO SIDE

Professionnal sidely flexible led light line IP67
 Ligne led professionnelle flexible lateralement IP67
A4115.1220

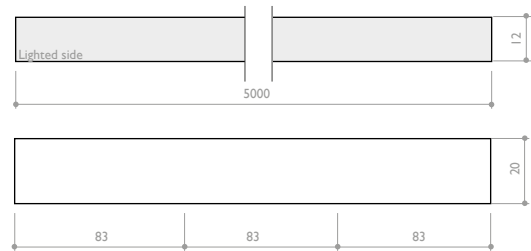


Temperature de couleur White CCT 2300K - 2700K - 3000K - 4000K R / G / B / Y DW RGB RGBX
Indice de Rendu de Couleur IRC White Color Rendering CRI > 82
Puissance lumineuse Luminous output (4000K) 230 lm
Puissance Power 11w/m (W) 8w/m (R / G / B / Y) 14w/m (DW) 13w/m (RGB) 15w/m (RGBX)
Coupe Cut 50 mm (W & R / G / B / Y & RGBX) 83 mm (RGB) 100 mm (DW)
Dimensions & Rayon courbure mini Dimensions & min. bending radius 5000 x 12 x 20 mm > 60 mm
Indices de protection & norme Standards IP67 IK08 CE UL Listed
Température d'utilisation Ambient temp. - 10°C / + 40°C
Tension d'alimentation Input voltage 24 Vdc

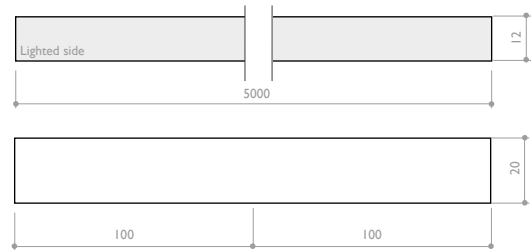
W & R / G / B / Y



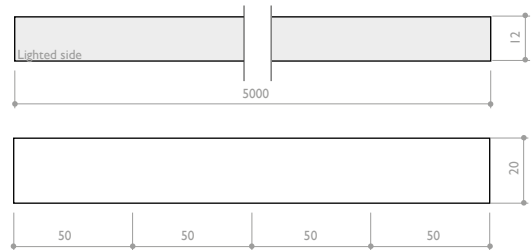
RGB



DW



RGBX Pixel



A4115.1220.827.IP67.DALI		
Led Color	lm/m	
2300K	220 lm	823
2700K	220 lm	827
3000K	230 lm	830
4000K	190 lm	840
2300K/4000K	330 lm	DW
Led Color	frequency	
Red	620/630 nm	R
Green	525/530 nm	G
Blue	465/470 nm	B
Yellow	587/592 nm	Y
RGB		RGB
RGBX pixel		RGBX
IP Rating		
IP 67		IP67
Dimming		
No dimming		HF
Dali		DALI
Dmx		DMX
Dimming I to 10VDC		D10



PENINSULA HOTEL PARIS - FISHER MARANTZ STONE





PROFILES

FLEX	61	CENTO	84
COVA	63	CENTO T	85
TOTEM XL	64	ASTRO T	87
TOTEM	65	ALPHA T	88
CAMPUS	66	SAXO T	89
CAMPUS HIGH	67	COBE T	90
LITTLE	69	SOLO	91
CAMPUS MINI	70	BELINI	92
COBE H MINI	71	BELINI XL	93
ROMULUS MINI	73	TRIO	94
ROMULUS	74	SOFIA	95
ROMULUS XL	75	ANGEL	96
COBE H	76	CORNER	97
TRENTO	77	SOLO XL	99
SINI T	78	STEP UP & STEP DOWN	100
SINI	79	FONDO	101
ALPHA	80	ORION	102
ALPHA XL	81	ODIN	103
SAXO	82	OLYMPE XL	104
OCTO	83	OSCAR	105
		GARDA	107



FLEX

Flexi profile for cove lighting
 Profil aluminium flexible pour gorge lumineuse

A3953



Puissance maxi Power max
 15 w/m

Dimensions Dimensions
 16 x 2 mm

Longueur maximale Max.length
 2000 mm

Température d'utilisation Ambient temp.
 - 10°C / + 40°C



A3953.C9.IP20.00.DALI		
Type of led		
Pure CRI99	A4199	C99
UltraCRI	A4101	CR
Dynamic White	A4102	DW
Regular	A4109	C9
RGB	A4106	RGB
RGB+W	A4107	RGBW
RGB+2W	A4117	RGB2W
Xicato Artist	A4122	XLT
IP Rating		
IP20		IP20
IP54		IP54
IP67		IP67
Finishes		
Aluminium anodised silver		00
Aluminium anodised black		04
Dimming		
No dimming		HF
Dali		DALI
Dmx		DMX
Dimming & to 10Vdc		D10
Phase Dimming Digital		PHD



A3953.04
 Profile Black



A3953.CLP
 Clips



CHANEL

CHANEL

DIOR

LYN

DIOR

PRADA

Flexible profile with diffuser for cove lighting
 Profil flexible avec diffuseur pour gorge lumineuse

A39108

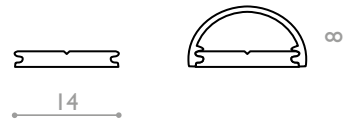


Puissance maxi Power max
20 w/m

Dimensions Dimensions
13.8 x 2 mm (16 x 8 mm with optic)

Longueur maximale Max.length
2000 mm

Température d'utilisation Ambient temp.
-10°C / +40°C



A39108.C9.IP20.00.OPDALI

Type of led		
Pure CRI99	A4199	C99
UltraCRI	A4101	CR
Dynamic White	A4102	DW
Regular	A4109	C9
RGB	A4106	RGB
RGB+W	A4107	RGBW
RGB+2W	A4117	RGB2W
Xicato Artist	A4122	XLT
IP Rating		
IP20		IP20
IP54		IP54
IP67		IP67
Finishes		
Aluminium anodised silver		00
Aluminium anodised black		04
Cover & Optic		
Opal		OP
Dimming		
No dimming		HF
Dali		DALI
Dmx		DMX
Dimming & to 10Vdc		D10
Phase Dimming Digital		PHD



A39108
Profil 1e 2m



A39108.OPL
Optic opal



A39108.ECP
Endcap

TOTEM XL

Profile with range of optics
Profil avec gamme d'optiques

A3950

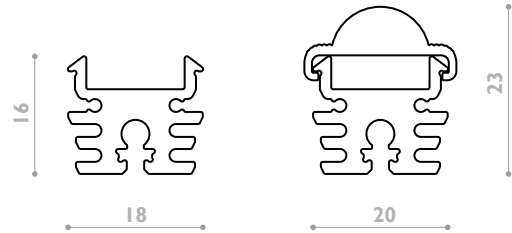


Puissance maxi Power max
40 w/m

Dimensions Dimensions
18 x 16 mm (20 x 23 mm with optic)

Longueur maximale Max.length
2000 mm

Température d'utilisation Ambient temp.
- 10°C / + 40°C



A3950.C9.IP20.00.F30.DALI

Type of led

Pure CRI99	A4199
UltraCRI	A4101
Dynamic White	A4102
Regular	A4109
RGB	A4106
RGB+W	A4107
RGB+2W	A4117
High Efficacy	A4111
Ultra Efficacy	A4116
Xicato Artist	A4122

C99
CR
DW
C9
RGB
RGBW
RGB2W
HE
UE
XLT

IP Rating

IP20
IP54
IP65
IP67

IP20
IP54
IP65
IP67

Finishes

Aluminium anodised silver
Aluminium anodised black

00
04

Cover & Optic

Opal
Frost
Frost 15°
Frost 30°
Frost 60°
Frost 90°
Batwings
Asymetric 30°

OP
FR
F15
F30
F60
F90
BAT
AS30

Dimming

No dimming
Dali
Dmx
Dimming & to 10Vdc
Phase Dimming Digital

HF
DALI
DMX
D10
PHD



A3950.04



A3950.CLP - Clips 0°



A3950.C15 - Clips 15°



A3950.C30 - Clips



A3950.C45 - Clips 45°



A3950.C60 - Clips 60°



A3950.CAD
Clips orientable



A3950.ECO
Clips oeillet



A3950.CLI
Clips Inox

TOTEM

Profile with range of optics
Profil aluminium avec gamme d'optiques

A3952

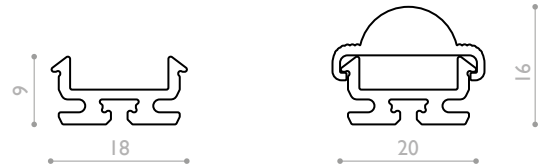


Puissance maxi Power max
24 w/m

Dimensions Dimensions
18 x 9 mm (20 x 16 mm with optic)

Longueur maximale Max.length
2000 mm

Température d'utilisation Ambient temp.
- 10°C / + 40°C



A3952.C9.IP20.00.F30.DALI

Type of led

Pure CRI99	A4199
UltraCRI	A4101
Dynamic White	A4102
Regular	A4109
RGB	A4106
RGB+W	A4107
RGB+2W	A4117
High Efficacy	A4111
Xicato Artist	A4122

C99
CR
DW
C9
RGB
RGBW
RGB2W
HE
XLT

IP Rating

IP20
IP54
IP65
IP67

IP20
IP54
IP65
IP67

Finishes

Aluminium anodised silver
Aluminium anodised black

00
04

Cover & Optic

Opal
Frost
Frost 15°
Frost 30°
Frost 60°
Frost 90°
Batwings
Asymetric 30°

OP
FR
F15
F30
F60
F90
BAT
AS30

Dimming

No dimming
Dali
Dmx
Dimming & to 10Vdc
Phase Dimming Digital

HF
DALI
DMX
D10
PHD



A3952.04



A3952.CLP - Clips 0°



A3952.C15 - Clips 15°



A3952.C30 - Clips 30°



A3952.C45 - Clips 45°



A3952.C60 - Clips 60°



A3952.CAD
Clips orientable



A3952.CLO
Clips oeillet



A3952.CLI -
Clips Inox

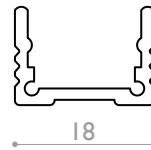
CAMPUS

Profile with optic
Profil aluminium avec optique

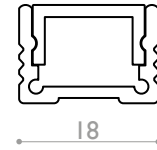
A3960



Puissance maxi	Power max
	24 w/m
Dimensions	Dimensions
	18 x13 mm
Longueur maximale	Max.length
	3000 mm
Température d'utilisation	Ambiant temp.
	- 10°C / + 40°C



13



13

A3960.C9.IP20.00.OP.DALI

Type of led

Pure CRI99	A4199
UltraCRI	A4101
Dynamic White	A4102
Regular	A4109
RGB	A4106
RGB+W	A4107
RGB+2W	A4117
High Efficacy	A4111
Xicato Artist	A4122

C99
CR
DW
C9
RGB
RGBW
RGB2W
HE
XLT

IP Rating

IP20
IP54
IP65
IP67

IP20
IP54
IP65
IP67

Finishes

Aluminium anodised silver
Aluminium anodised black
White ral9016 sat

00
04
16

Cover & Optic

Opal
Frost
Frost 30°
Prismatic UGR<19
Aluminium

OP
FR
F30
PR
AL

Dimming

No dimming
Dali
Dmx
Dimming & to 10Vdc
Phase Dimming Digital

HF
DALI
DMX
D10
PHD



A3960.04



A3960.CLS
Clips Inox Strong



A3960.CLI
Clips Inox



A3960.CLI
Clips liaison



A3960.C45
Clips 45°

CAMPUS HIGH

Profile with optic
Profil aluminium avec optique

A396I

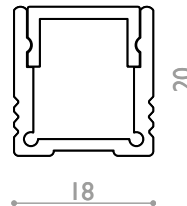


Puissance maxi Power max
30 w/m

Dimensions Dimensions
18 x 20 mm

Longueur maximale Max.length
3000 mm

Température d'utilisation Ambient temp.
- 10°C / + 40°C



A396I.C9.IP67.00.OP.DALI

Type of led

Pure CRI99	A4199	C99
UltraCRI	A4101	CR
Dynamic White	A4102	DW
Regular	A4109	C9
RGB	A4106	RGB
RGB+W	A4107	RGBW
RGB+2W	A4117	RGB2W
High Efficacy	A4111	HE
Ultra Efficacy	A4116	UE
Xicato Artist	A4122	XLT

IP Rating

IP20	IP20
IP54	IP54
IP65	IP65
IP67	IP67

Finishes

Aluminium anodised silver	00
Aluminium anodised black	04
White ral9016 sat	16

Cover & Optic

Opal	OP
Frost	FR
Prismatic UGR<19	PR
Aluminium	AL

Dimming

No dimming	HF
Dali	DALI
Dmx	DMX
Dimming & to 10Vdc	D10
Phase Dimming Digital	PHD



A396I.CLI
Clips Inox



A396I.CLS
Clips Inox Strong



A396I.C45
Clips Inox 45°



A396I.CAD
Clips orientable



A396I.CLI
Liaison - Link



LITTLE

Very little profile
Profil miniature

A39109

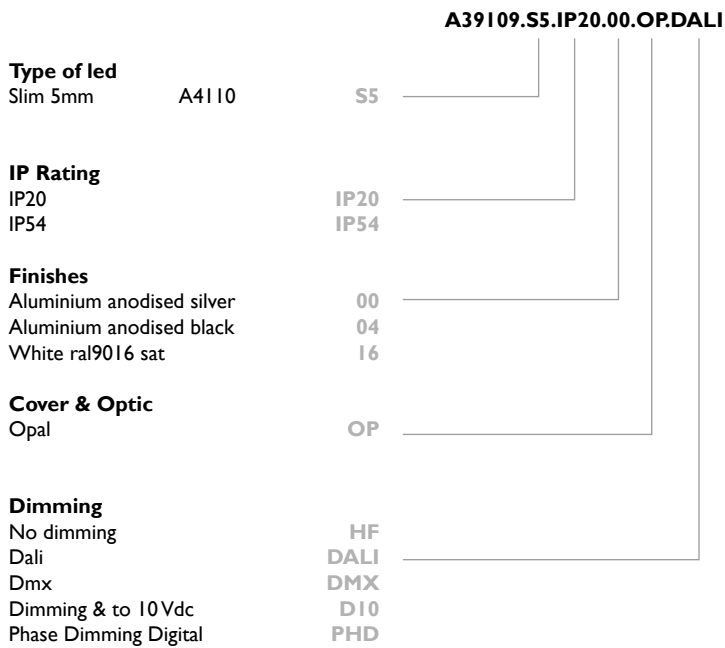
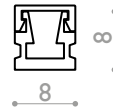


Puissance maxi Power max
18 w/m

Dimensions Dimensions
8 x 8 mm

Longueur maximale Max.length
3000 mm

Température d'utilisation Ambient temp.
- 10°C / + 40°C



A39109.00



A39109.OPL
Diffusor opal



A39109.CLI
Clips



A39109.CAD
Clips orientable

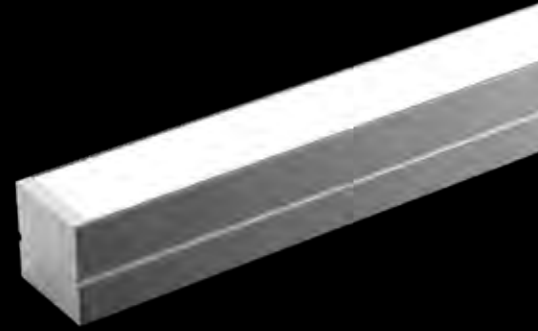


A39109.ECP
Endcap

CAMPUS MINI

Mini profile
Mini profil

A3972

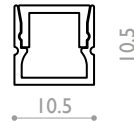


Puissance maxi Power max
12 w/m

Dimensions Dimensions
11 x 10 mm

Longueur maximale Max.length
3000 mm

Température d'utilisation Ambient temp.
- 10°C / + 40°C



A3972.S8.IP20.00.OP.DALI

Type of led

Slim 5 A4110
Slim 8 (ultra cri) A4118
Regular A4109

IP Rating

IP20 IP20
IP54 IP54
IP67 IP67

Finishes

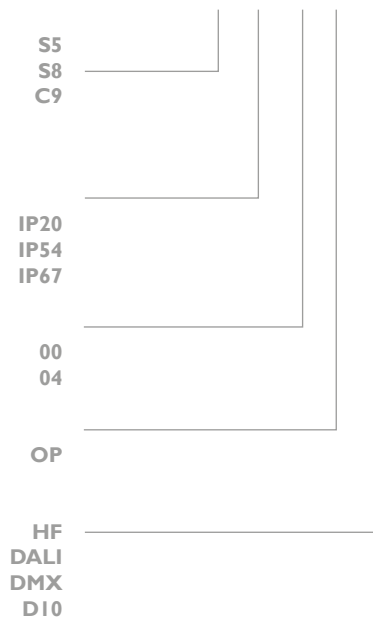
Aluminium anodised silver 00
Aluminium anodised black 04

Cover & Optic

Opal OP

Dimming

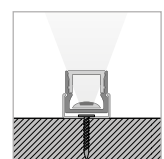
No dimming HF
Dali DALI
Dmx DMX
Dimming & to 10Vdc D10



A3972.OP



A3972.CLP
Clips



COBE H MINI

Mini profile with optic
Mini profil aluminium avec optique

A3968

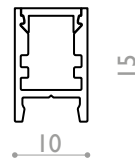


Puissance maxi **Power max**
12 w/m

Dimensions **Dimensions**
10 x 15 mm

Longueur maximale **Max.length**
3000 mm

Température d'utilisation **Ambiant temp.**
- 10°C / + 40°C



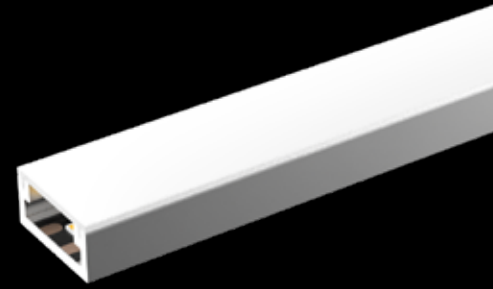
		A3968.S5.IP20.00.OP.DALI	
Type of led			
Slim 5	A4110	S5	
Slim 8 (ultra cri)	A4118	S8	
Regular	A4109	C9	
IP Rating			
IP20		IP20	
IP54		IP54	
IP67		IP67	
Finishes			
Aluminium anodised silver		00	
Aluminium anodised black		04	
Cover & Optic			
Opal		OP	
Dimming			
No dimming		HF	
Dali		DALI	
Dmx		DMX	
Dimming & to 10Vdc		D10	
Phase Dimming Digital		PHD	



ROMULUS MINI

Profile with IP65 diffuser
Profil avec diffuseur IP65

A39107

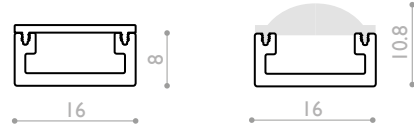


Puissance maxi Power max
24 w/m

Dimensions Dimensions
16 x 8.3 mm (16 x 10.8 mm with 30° optic)

Longueur maximale Max.length
3000 mm

Température d'utilisation Ambient temp.
- 10°C / + 40°C



A39107.C9.IP67.00.OPDALI

Type of led

Pure CRI99	A4199
UltraCRI	A4101
Dynamic White	A4102
Regular	A4109
RGB	A4106
RGB+W	A4107
RGB+2W	A4117
High Efficacy	A4111
Xicato Artist	A4122

C99
CR
DW
C9
RGB
RGBW
RGB2W
HE
XLT

IP Rating

IP20
IP54
IP67

IP20
IP54
IP67

Finishes

Aluminium anodised silver
Aluminium anodised black

00
04

Cover & Optic

Opal
Frost
Optic 30°

OP
FR
F30

Dimming

No dimming
Dali
Dmx
Dimming & to 10Vdc
Phase Dimming Digital

HF
DALI
DMX
D10
PHD



A39107.CLI
Clips inox



A39107.ECH
Endcap + hole



A39107.OPL/F00
Diffusor IP65 opal/fro



A39107.ECP
Endcap



A39107.ECO
Endcap for optic



A39107.OPL/F00
Diffusor IP65 opal/fro

ROMULUS

Profile with IP65 diffuser
 Profil avec diffuseur IP65

A39105

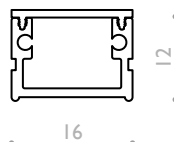


Puissance maxi Power max
 30 w/m

Dimensions Dimensions
 16 x 12 mm (16 x 14.8 mm with 30° optic)

Longueur maximale Max.length
 3000 mm

Température d'utilisation Ambient temp.
 - 10°C / + 40°C



A39105.C9.IP67.00.OP.DALI

Type of led

Pure CRI99	A4199
UltraCRI	A4101
Dynamic White	A4102
Regular	A4109
RGB	A4106
RGB+W	A4107
RGB+2W	A4117
High Efficacy	A4111
Ultra Efficacy	A4116
Xicato Artist	A4122

C99
CR
DW
C9
RGB
RGBW
RGB2W
HE
UE
XLT

IP Rating

IP20
 IP54
 IP67

IP20
 IP54
 IP67

Finishes

Aluminium anodised silver
 Aluminium anodised black

00
 04

Cover & Optic

Opal
 Frost
 Optic 30°

OP
 FR
 F30

Dimming

No dimming
 Dali
 Dmx
 Dimming & to 10Vdc
 Phase Dimming Digital

HF
 DALI
 DMX
 D10
 PHD



A39105.ECO
 End cap for 30°



A39105.ECP
 End cap



A39105.CLI
 Clips inox



A39105.00



A39105.CSP
 Clips spring

ROMULUS XL

Profile with IP65 diffusor
 Profil encastré avec diffuseur IP65

A39104

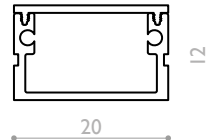


Puissance maxi Power max
 35 w/m

Dimensions Dimensions
 20 x 12 mm

Longueur maximale Max.length
 3000 mm

Température d'utilisation Ambient temp.
 - 10°C / + 40°C

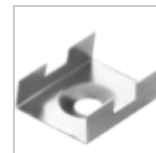


A39104.C9.IP67.00.OP.DALI

Type of led		A39104.C9.IP67.00.OP.DALI		
Pure CRI99	A4199	C99		
UltraCRI	A4101	CR		
Dynamic White	A4102	DW		
Regular	A4109	C9		
RGB	A4106	RGB		
RGB+W	A4107	RGBW		
RGB+2W	A4117	RGB2W		
High Efficacy	A4111	HE		
Ultra Efficacy	A4116	UE		
Xicato Artist	A4122	XLT		
IP Rating				
IP20		IP20		
IP54		IP54		
IP67		IP67		
Finishes				
Aluminium anodised silver		00		
Aluminium anodised black		04		
Cover & Optic				
Opal		OP		
Dimming				
No dimming		HF		
Dali		DALI		
Dmx		DMX		
Dimming & to 10Vdc		D10		
Phase Dimming Digital		PHD		



A39104.00



A39104.CLI
 Clips



A39104.OPL
 Opal



A39104.KSU
 Suspension

COBE H

Profile with optic
Profil aluminium avec optique

A3962

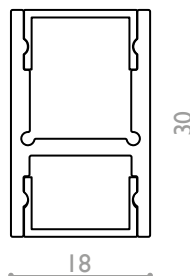


Puissance maxi Power max
32 w/m

Dimensions Dimensions
30 x 18 mm

Longueur maximale Max.length
3000 mm

Température d'utilisation Ambient temp.
- 10°C / + 40°C



A3962.C9.IP20.00.OP.DALI

Type of led

Pure CRI99	A4199
UltraCRI	A4101
Dynamic White	A4102
Regular	A4109
RGB	A4106
RGB+W	A4107
RGB+2W	A4117
High Efficacy	A4111
Ultra Efficacy	A4116
Xicato Artist	A4122

C99
CR
DW
C9
RGB
RGBW
RGB2W
HE
UE
XLT

IP Rating

IP20	IP20
IP54	IP54
IP65	IP65
IP67	IP67

Finishes

Aluminium anodised silver	00
Aluminium anodised black	04
White ral9016 sat	16

Cover & Optic

Opal	OP
Frost	FR
Frost 30°	F30
Aluminium	AL

Dimming

No dimming	HF
Dali	DALI
Dmx	DMX
Dimming & to 10Vdc	D10
Phase Dimming Digital	PHD



A3962.04



A3962.SUS -
Clips Inox

TRENTO

Profile with optics
Profil aluminium avec optiques

A3920

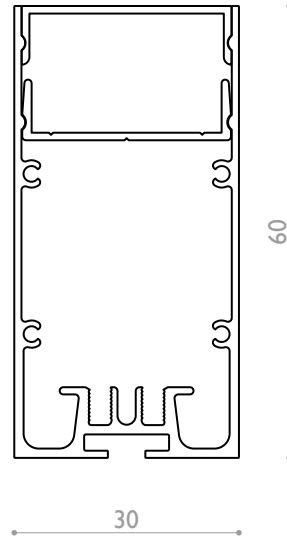


Puissance maxi Power max
40 w/m

Dimensions Dimensions
30 x 60 mm

Longueur maximale Max.length
3000 mm

Température d'utilisation Ambient temp.
- 10°C / + 40°C



A3920.C9.IP20.00.PR.DALI

Type of led

Pure CRI99	A4199
UltraCRI	A4101
Dynamic White	A4102
Regular	A4109
RGB	A4106
RGB+W	A4107
RGB+2W	A4117
High Efficacy	A4111
Ultra Efficacy	A4116
Xicato Artist	A4122

C99
CR
DW
C9
RGB
RGBW
RGB2W
HE
UE
XLT

IP Rating

IP20	IP20
IP54	IP54
IP67	IP67

Finishes

Aluminium anodised silver	00
Aluminium anodised black	04
White ral9016 sat	16

Cover & Optic

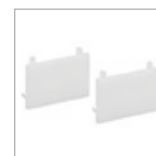
Opal	OP
Frost	FR
Prismatic UGR<19	PR
Aluminium	AL

Dimming

No dimming	HF
Dali	DALI
Dmx	DMX
Dimming & to 10Vdc	D10
Phase Dimming Digital	PHD



A3920.ECA
Endcap



A3920.846

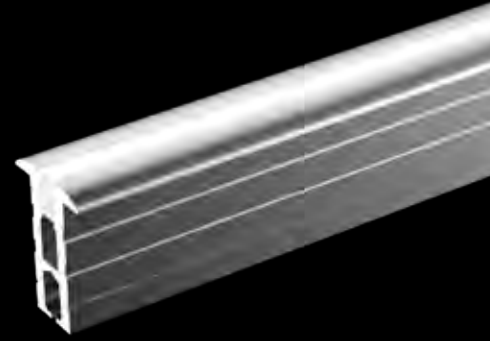


A3920.KSU
Suspension kit (x2)

SINI T

Recessed narrow profile
Profil encastré étroit

A39126

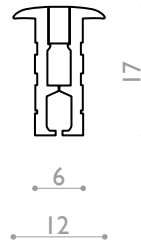


Puissance maxi **Power max**
20 w/m

Dimensions **Dimensions**
6 x 17 mm (cutout 7mm)

Longueur maximale **Max.length**
2000 mm

Température d'utilisation **Ambiant temp.**
- 10°C / + 40°C



Type of led
Side View

A4114

IP Rating
IP20
IP67

Finishes

Aluminium anodised silver
Aluminium anodised black

Cover & Optic
Opal

Dimming

No dimming
Dali
Dmx
Dimming & to 10Vdc
Phase Dimming Digital

A39126.SW.IP20.00.OP.DALI

SW

IP20

IP67

00

04

OP

HF

DALI

DMX

D10

PHD



A39126.LPED
Profile



A39126.OPL
Diffusor opal



SINI

Narrow profile
Profil étroit

A39110

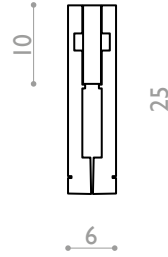


Puissance maxi **Power max**
20 w/m

Dimensions **Dimensions**
6 x 25 mm

Longueur maximale **Max.length**
2000 mm

Température d'utilisation **Ambiant temp.**
- 10°C / + 40°C



Type of led
Side View

A4114

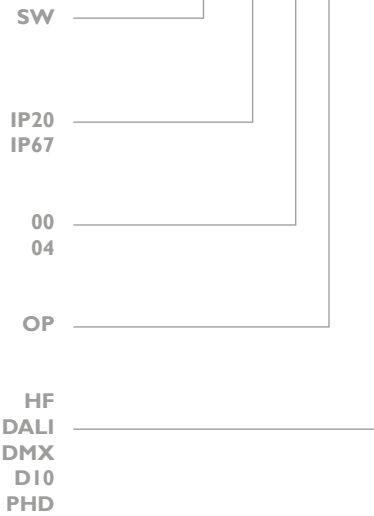
IP Rating
IP20
IP67

Finishes
Aluminium anodised silver
Aluminium anodised black

Cover & Optic
Opal

Dimming
No dimming
Dali
Dmx
Dimming & to 10Vdc
Phase Dimming Digital

A39110.SW.IP20.00.OP.DALI



A39110.00
Profil



A39110.OPL
Diffusor opal



A39110.ECP
Endcap



A39110.LPE213
Vis screw



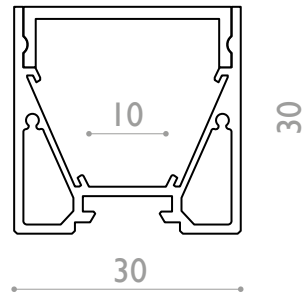
ALPHA

Profile with optics
Profil aluminium avec optiques

A397I

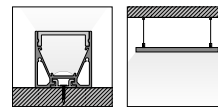


Puissance maxi	Power max
	40 w/m
Dimensions	Dimensions
	30 x 30 mm
Longueur maximale	Max.length
	3000 mm
Température d'utilisation	Ambiant temp.
	- 10°C / + 40°C



A397I.C9.IP20.00.OP.DALI

Type of led		
Pure CRI99	A4199	C99
UltraCRI	A4101	CR
Dynamic White	A4102	DW
Regular	A4109	C9
RGB	A4106	RGB
RGB+W	A4107	RGBW
RGB+2W	A4117	RGB2W
High Efficacy	A4111	HE
Ultra Efficacy	A4116	UE
Xicato Artist	A4122	XLT
IP Rating		
IP20		IP20
IP67H		IP67
IP65 resine (custom)		IP65
Finishes		
Aluminium anodised silver		00
Aluminium anodised black		04
White ral9016 sat		16
Cover & Optic		
Opal		OP
Frost		FR
Prismatic UGR<19		PR
Aluminium		AL
Dimming		
No dimming		HF
Dali		DALI
Dmx		DMX
Dimming & to 10Vdc		D10
Phase Dimming Digital		PHD



A397I.P14
Profil asymmetric 14°



A397I.PSY
Profil symmetric



A397I.CLP
Clips plastic



A397I.KSU
Kit suspension (x2)

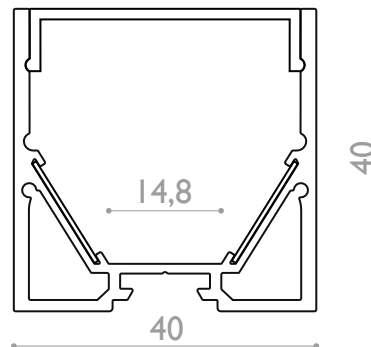
ALPHA XL

Profile with optics
Profil aluminium avec optiques

A3979



Puissance maxi	Power max
	40 w/m
Dimensions	Dimensions
	40 x 40 mm
Longueur maximale	Max.length
	3000 mm
Température d'utilisation	Ambiant temp.
	- 10°C / + 40°C



A3979.C9.IP20.00.OP.DALI

Type of led

Pure CRI99	A4199
UltraCRI	A4101
Dynamic White	A4102
Regular	A4109
RGB	A4106
RGB+W	A4107
RGB+2W	A4117
High Efficacy	A4111
Ultra Efficacy	A4116
Xicato Artist	A4122

C99
CR
DW
C9
RGB
RGBW
RGB2W
HE
UE
XLT

IP Rating

IP20
IP67H
IP65 resine (custom)

IP20
IP67
IP65

Finishes

Aluminium anodised silver
Aluminium anodised black
White ral9016 sat

00
04
16

Cover & Optic

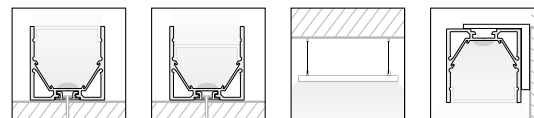
Opal
Frost

OP
FR

Dimming

No dimming
Dali
Dmx
Dimming & to 10Vdc
Phase Dimming Digital

HF
DALI
DMX
D10
PHD



SAXO

Profile with reflector
Profil avec reflecteur

A392I

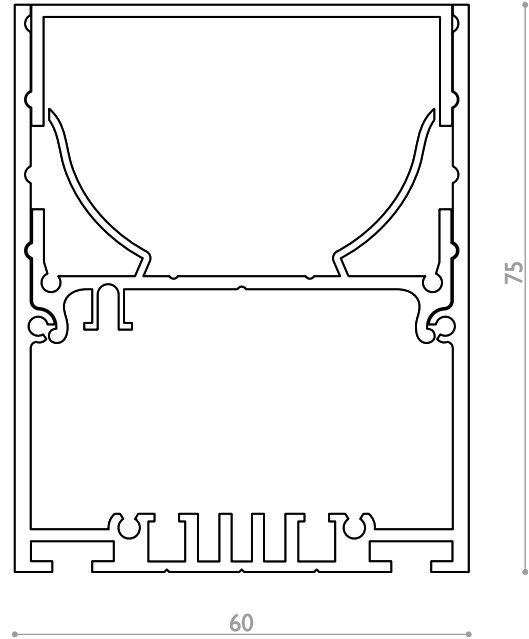


Puissance maxi Power max
60 w/m

Dimensions Dimensions
60 x 75 mm

Longueur maximale Max.length
3000 mm

Température d'utilisation Ambient temp.
- 10°C / + 40°C



A392I.C9.IP20.00.OP.DALI

Type of led

Pure CRI99	A4199
UltraCRI	A4101
Dynamic White	A4102
Regular	A4109
RGB	A4106
RGB+W	A4107
RGB+2W	A4117
High Efficacy	A4111
Ultra Efficacy	A4116
Xicato Artist	A4122

C99
CR
DW
C9
RGB
RGBW
RGB2W
HE
UE
XLT

IP Rating

IP20
IP54
IP67

IP20
IP54
IP67

Finishes

Aluminium anodised silver
Aluminium anodised black
White ral9016 sat

00
04
16

Cover & Optic

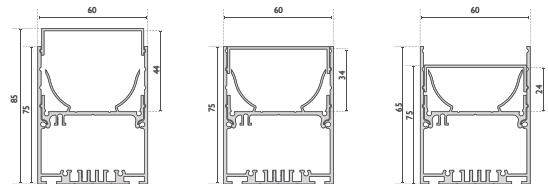
Opal
Frost

OP
FR

Dimming

No dimming
Dali
Dmx
Dimming & to 10Vdc
Phase Dimming Digital

HF
DALI
DMX
D10
PHD



A392I.KSU
Suspension kit (x2)



A392I.ECA
Endcap

OCTO

Profile with reflector
Profil avec reflecteur

A3926

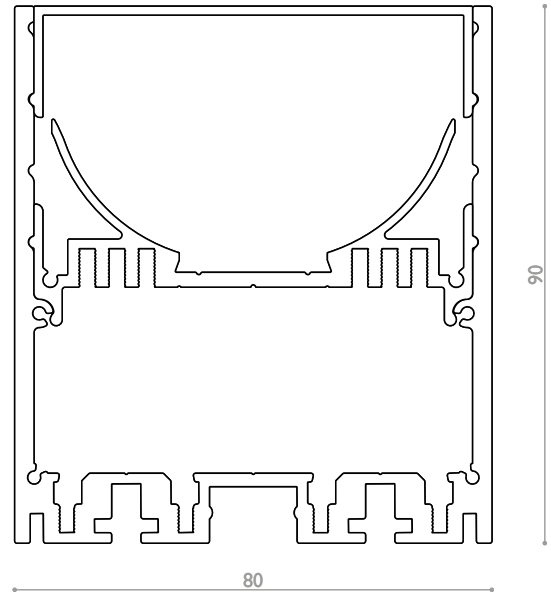


Puissance maxi **Power max**
80 w/m

Dimensions **Dimensions**
80 x 90 mm

Longueur maximale **Max.length**
3000 mm

Température d'utilisation **Ambiant temp.**
- 10°C / + 40°C



A3926.C9.IP20.00.OP.DALI

Type of led

Pure CRI99	A4199
UltraCRI	A4101
Dynamic White	A4102
Regular	A4109
RGB	A4106
RGB+W	A4107
RGB+2W	A4117
High Efficacy	A4111
Ultra Efficacy	A4116
Xicato Artist	A4122

C99
CR
DW
C9
RGB
RGBW
RGB2W
HE
UE
XLT

IP Rating

IP20
IP54
IP67

IP20
IP54
IP67

Finishes

Aluminium anodised silver
Aluminium anodised black
White ral9016 sat

00
04
16

Cover & Optic

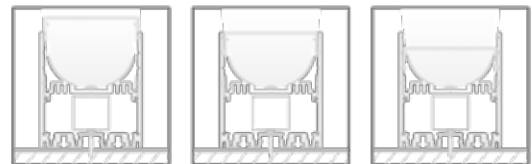
Opal
Frost

OP
FR

Dimming

No dimming
Dali
Dmx
Dimming & to 10Vdc
Phase Dimming Digital

HF
DALI
DMX
D10
PHD



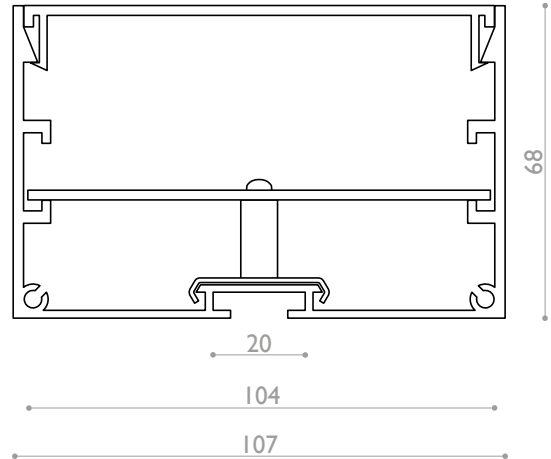
CENTO

High Power profile with driver integrated
 Profil forte puissance avec driver intégré

A39175



Puissance maxi	Power max
	50 w/m
Dimensions	Dimensions
	107 x 68 mm
Longueur maximale	Max.length
	3000 mm
Température d'utilisation	Ambiant temp.
	- 10°C / + 40°C



A39175.UE.IP20.00.LOU.DALI

Type of led		
Ultra CRI99	A4101	CR
Dynamic White	A4102	DW
Regular	A4109	C9
RGB	A4106	RGB
RGB+W	A4107	RGBW
RGB+2W	A4117	RGB2W
High Efficacy	A4111	HE
Ultra Efficacy	A4116	UE
Xicato Artist	A4122	XLT
IP Rating		
IP20		IP20
IP54		IP54
Finishes		
Aluminium anodised silver		00
Black ral9004 sat		04
White ral9016 sat		16
Cover & Optic		
Frost		F00
Louvre		LOU
Dimming		
No dimming		HF
Dali		DALI
Dmx		DMX
Dimming & to 10Vdc		D10
Phase Dimming Digital		PHD



A39175.FOO



A39175.LP171



A39175.LP168



A39175.ECA



A39175.LIN



A39175.LOU

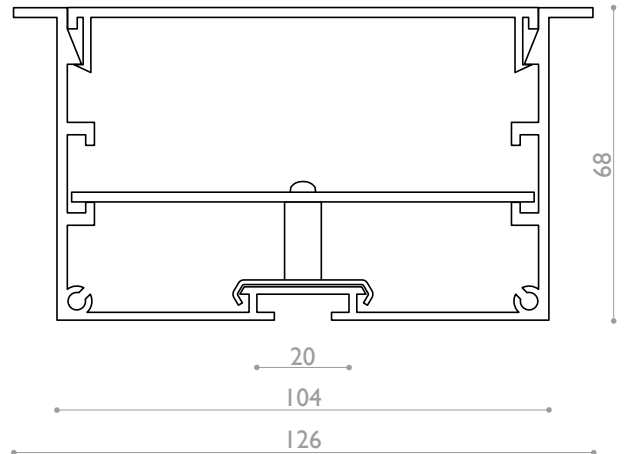
CENTO T

High Power recessed profile with driver integrated
 Profil encastré forte puissance avec driver intégré

A39180



Puissance maxi	Power max
	50 w/m
Dimensions	Dimensions
	126 x 68 mm
Longueur maximale	Max.length
	3000 mm
Température d'utilisation	Ambiant temp.
	- 10°C / + 40°C



A39180.UE.IP20.00.LOU.DALI

Type of led

Ultra CRI99	A4101
Dynamic White	A4102
Regular	A4109
RGB	A4106
RGB+W	A4107
RGB+2W	A4117
High Efficacy	A4111
Ultra Efficacy	A4116
Xicato Artist	A4122

CR
 DW
 C9
 RGB
 RGBW
 RGB2W
 HE
 UE
 XLT

IP Rating

IP20
 IP54

IP20
 IP54

Finishes

Aluminium anodised silver
 Black ral9004 sat
 White ral9016 sat

00
 04
 16

Cover & Optic

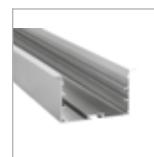
Frost
 Louvre

F00
 LOU

Dimming

No dimming
 Dali
 Dmx
 Dimming & to 10Vdc
 Phase Dimming Digital

HF
 DALI
 DMX
 D10
 PHD



A39180



A39180.LOU



A39180.F00



A39180.LP17I



A39180.LP17I



A39180.BRA



A39180.ECA



A39180.LIN



A39180.LP168



ASTROT

Recessed profile 45 w/m with optic
 Profil aluminium encastré 45 w/m avec optique

A3982

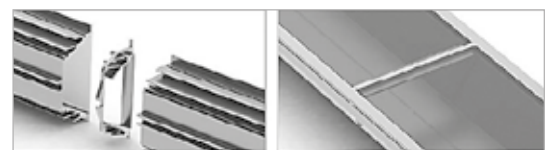
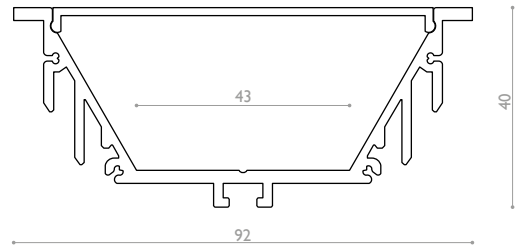


Puissance maxi Power max
 40 w/m

Dimensions Dimensions
 92 x 40 mm (Cut out 80mm)

Longueur maximale Max.length
 3000 mm

Température d'utilisation Ambient temp.
 - 10°C / + 40°C



A3982.LC

A3982.C9.IP20.00.FR.DALI

Type of led

Pure CRI99	A4199
UltraCRI	A4101
Dynamic White	A4102
Regular	A4109
RGB	A4106
RGB+W	A4107
RGB+2W	A4117
High Efficacy	A4111
Ultra Efficacy	A4116
Xicato Artist	A4122

C99
CR
DW
C9
RGB
RGBW
RGB2W
HE
UE
XLT

IP Rating

IP20
IP54
IP67

IP20
IP54
IP67

Finishes

Aluminium anodised silver
Aluminium anodised black
White ral9016 sat

00
04
16

Cover & Optic

Frost
Prismatic UGR<19

FR
PR

Dimming

No dimming
Dali
Dmx
Dimming & to 10Vdc
Phase Dimming Digital

HF
DALI
DMX
D10
PHD

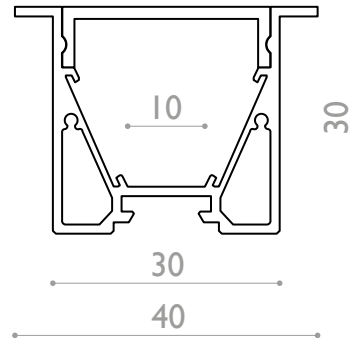
ALPHA T

Profile recessed with optics
 Profil encastré avec optiques

A3970



Puissance maxi	Power max
	40 w/m
Dimensions	Dimensions
40 x 30 mm (Cut out 30 mm)	
Longueur maximale	Max.length
	3000 mm
Température d'utilisation	Ambiant temp.
	- 10°C / + 40°C



A3970.C9.IP20.00.OP.DALI

Type of led			
Pure CRI99	A4199	C99	
UltraCR	A4101	CR	
Dynamic White	A4102	DW	
Regular	A4109	C9	
RGB	A4106	RGB	
RGB+W	A4107	RGBW	
RGB+2W	A4117	RGB2W	
High Efficacy	A4111	HE	
Ultra Efficacy	A4116	UE	
Xicato Artist	A4122	XLT	
IP Rating			
IP20		IP20	
IP67H		IP67	
IP65 resine (custom)		IP65	
Finishes			
Aluminium anodised silver		00	
Aluminium anodised black		04	
White ral9016 sat		16	
Cover & Optic			
Opal		OP	
Frost		FR	
Prismatic UGR<19		PR	
Aluminium		AL	
Dimming			
No dimming		HF	
Dali		DALI	
Dmx		DMX	
Dimming & to 10Vdc		D10	
Phase Dimming Digital		PHD	



A3970.CLP
Clips



A3970.838
Ressort

SAXO T

Profile recessed with optics
Profil encastré avec optiques

A3925

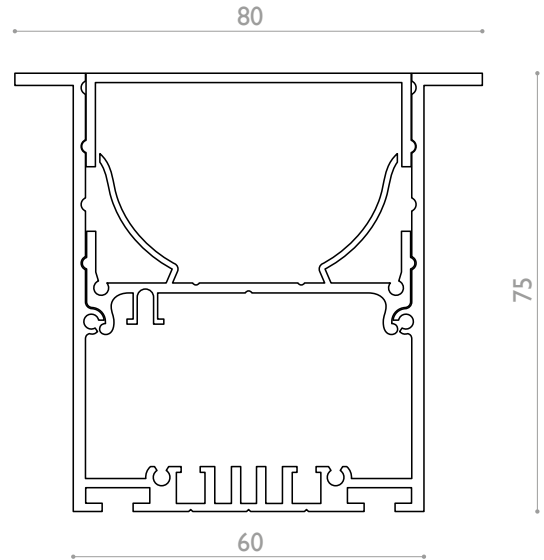


Puissance maxi **Power max**
60 w/m

Dimensions **Dimensions**
80 x 75 mm (65 mm)

Longueur maximale **Max.length**
3000 mm

Température d'utilisation **Ambiant temp.**
- 10°C / + 40°C



A3925.C9.IP20.00.OP.DALI

Type of led

Pure CRI99	A4199
UltraCRI	A4101
Dynamic White	A4102
Regular	A4109
RGB	A4106
RGB+W	A4107
RGB+2W	A4117
High Efficacy	A4111
Ultra Efficacy	A4116
Xicato Artist	A4122

C99
CR
DW
C9
RGB
RGBW
RGB2W
HE
UE
XLT

IP Rating

IP20
IP54
IP67

IP20
IP54
IP67

Finishes

Aluminium anodised silver
Aluminium anodised black
White ral9016 sat

00
04
16

Cover & Optic

Opal
Frost

OP
FR

Dimming

No dimming
Dali
Dmx
Dimming & to 10Vdc
Phase Dimming Digital

HF
DALI
DMX
D10
PHD



A3925.887
Reflector



A3925.OPL
Reflector opal



A3925.F00
Reflector frost



A3925.TRP
Reflector transparent

COBE T

Recessed profile with optic
Profil encastré avec optique

A3963

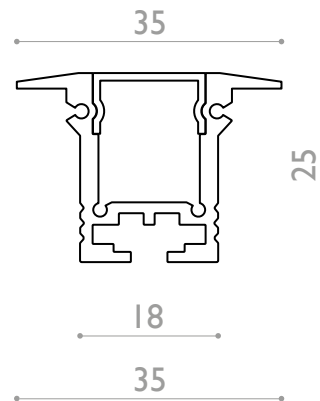


Puissance maxi Power max
35 w/m

Dimensions Dimensions
35 x 25 mm (Cutout 25 mm)

Longueur maximale Max.length
3000 mm

Température d'utilisation Ambient temp.
- 10°C / + 40°C



A3963.C9.IP20.00.OP.DALI

Type of led

Pure CRI99	A4199
UltraCRI	A4101
Dynamic White	A4102
Regular	A4109
RGB	A4106
RGB+W	A4107
RGB+2W	A4117
High Efficacy	A4111
Ultra Efficacy	A4116
Xicato Artist	A4122

C99
CR
DW
C9
RGB
RGBW
RGB2W
HE
UE
XLT

IP Rating

IP20
IP67H
IP65 resine (custom)

IP20
IP67
IP65

Finishes

Aluminium anodised silver
Aluminium anodised black
White ral9016 sat

00
04
16

Cover & Optic

Opal
Opal 500 kg
Frost

OP
OP5
FR

Dimming

No dimming
Dali
Dmx
Dimming & to 10Vdc
Phase Dimming Digital

HF
DALI
DMX
D10
PHD



A3963.705 -
RESSORT



A3963.CLI -
Clips inox



A3963.CLS -
Clips inox strong



A3963.LIN -
Liaison

SOLO

Recessed profile in floor with IP65 diffuser
 Profil encastré de sol avec diffuseur IP65

A39144

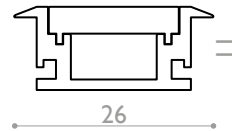


Puissance maxi Power max
24 w/m

Dimensions Dimensions
26 x 11 mm (gorge 21mm)

Longueur maximale Max.length
3000 mm

Température d'utilisation Ambient temp.
- 10°C / + 40°C



A39144.C9.IP20.00.OP.DALI

Type of led

Pure CRI99	A4199
UltraCRI	A4101
Dynamic White	A4102
Regular	A4109
RGB	A4106
RGB+W	A4107
RGB+2W	A4117
High Efficacy	A4111
Ultra Efficacy	A4116
Xicato Artist	A4122

C99
CR
DW
C9
RGB
RGBW
RGB2W
HE
UE
XLT

IP Rating

IP20
IP54
IP67

IP20
IP54
IP67

Finishes

Aluminium anodised silver
Aluminium anodised black

00
04

Cover & Optic

Opal

OP

Dimming

No dimming
Dali
Dmx
Dimming & to 10Vdc
Phase Dimming Digital

HF
DALI
DMX
D10
PHD



A39144.00



A39144.OPL
Diffuseur opal ip65

BELINI

Recessed profile with IP65 diffusor
 Profil encastré avec diffuseur IP65

A39123

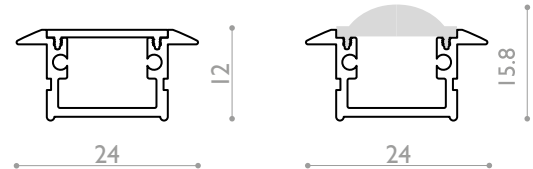


Puissance maxi Power max
 24 w/m

Dimensions Dimensions
 24 x 12 mm (15.8mm with optic 30° - Cut out 17mm)

Longueur maximale Max.length
 3000 mm

Température d'utilisation Ambient temp.
 - 10°C / + 40°C



A39123.C9.IP20.00.OP.DALI

Type of led

Pure CRI99	A4199
UltraCRI	A4101
Dynamic White	A4102
Regular	A4109
RGB	A4106
RGB+W	A4107
RGB+2W	A4117
High Efficacy	A4111
Ultra Efficacy	A4116
Xicato Artist	A4122

C99
CR
DW
C9
RGB
RGBW
RGB2W
HE
UE
XLT

IP Rating

IP20
 IP54
 IP67

IP20
 IP54
 IP67

Finishes

Aluminium anodised silver
 Aluminium anodised black
 White ral9016 sat

00
 04
 16

Cover & Optic

Opal
 Frost
 Opac grey

OP
 FR
 GR

Dimming

No dimming
 Dali
 Dmx
 Dimming & to 10Vdc
 Phase Dimming Digital

HF
 DALI
 DMX
 D10
 PHD



A39123.ECP
 Endcap



A39123.CLI
 Clips inox



A39123.CLS
 Ressort

BELINI XL

Recessed profile with IP65 diffusor
 Profil encastré avec diffuseur IP65

A39122

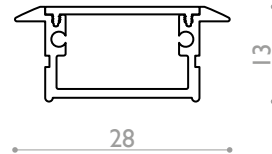


Puissance maxi Power max
 24 w/m

Dimensions Dimensions
 24 x 13 mm (24 x 15.8 mm with XX° optic)

Longueur maximale Max.length
 3000 mm

Température d'utilisation Ambient temp.
 - 10°C / + 40°C



A39122.C9.IP67.00.OP.DALI

Type of led

Pure CRI99	A4199
UltraCRI	A4101
Dynamic White	A4102
Regular	A4109
RGB	A4106
RGB+W	A4107
RGB+2W	A4117
High Efficacy	A4111
Ultra Efficacy	A4116
Xicato Artist	A4122

C99
CR
DW
C9
RGB
RGBW
RGB2W
HE
UE
XLT

IP Rating

IP20
 IP54
 IP67

IP20
 IP54
 IP67

Finishes

Aluminium anodised silver
 Aluminium anodised black
 White ral9016 sat

00
 04
 16

Cover & Optic

Opal
 Frost
 Opac grey

OP
 FR
 GR

Dimming

No dimming
 Dali
 Dmx
 Dimming & to 10Vdc
 Phase Dimming Digital

HF
 DALI
 DMX
 D10
 PHD



A39122.ECP
 Endcap



A39122.CLI
 Clips



A39122.CSP
 Ressort

TRIO

Corner profile with optics
Profil d'angle avec optiques

A3967

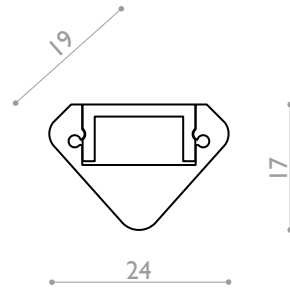


Puissance maxi Power max
26 w/m

Dimensions Dimensions
24 x 17 mm (base 19mm)

Longueur maximale Max.length
3000 mm

Température d'utilisation Ambient temp.
- 10°C / + 40°C



A3967.C9.IP20.00.OP.DALI

Type of led

Pure CRI99	A4199
UltraCRI	A4101
Dynamic White	A4102
Regular	A4109
RGB	A4106
RGB+W	A4107
RGB+2W	A4117
High Efficacy	A4111
Ultra Efficacy	A4116
Xicato Artist	A4122

C99
CR
DW
C9
RGB
RGBW
RGB2W
HE
UE
XLT

IP Rating

IP20	IP20
IP54	IP54
IP67	IP67

Finishes

Aluminium anodised silver	00
Aluminium anodised black	04
White ral9016 sat	16

Cover & Optic

Opal	OP
Opal 500g	OP5
Frost	FR
Frost 30°	F30

Dimming

No dimming	HF
Dali	DALI
Dmx	DMX
Dimming & to 10Vdc	D10
Phase Dimming Digital	PHD



A3967.CLP -
Clips

SOFIA

Corner profile with diffusor IP65
Profil d'angle avec diffuseur IP65

A39133

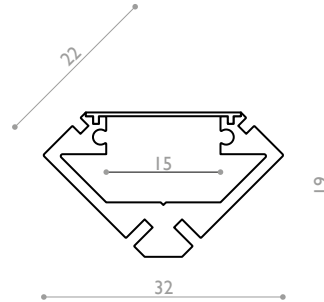


Puissance maxi Power max
26 w/m

Dimensions Dimensions
32 x 19 mm (base 22mm)

Longueur maximale Max.length
3000 mm

Température d'utilisation Ambient temp.
- 10°C / + 40°C



A39133.C9.IP20.00.OP.DALI

Type of led

Pure CRI99	A4199
UltraCRI	A4101
Dynamic White	A4102
Regular	A4109
RGB	A4106
RGB+W	A4107
RGB+2W	A4117
High Efficacy	A4111
Ultra Efficacy	A4116
Xicato Artist	A4122

C99
CR
DW
C9
RGB
RGBW
RGB2W
HE
UE
XLT

IP Rating

IP20
IP54
IP67

IP20
IP54
IP67

Finishes

Aluminium anodised silver
Aluminium anodised black

00
04

Cover & Optic

Opal
Frost

OP
FR

Dimming

No dimming
Dali
Dmx
Dimming & to 10Vdc
Phase Dimming Digital

HF
DALI
DMX
D10
PHD



A39133.00



A39133.ECP
End cap

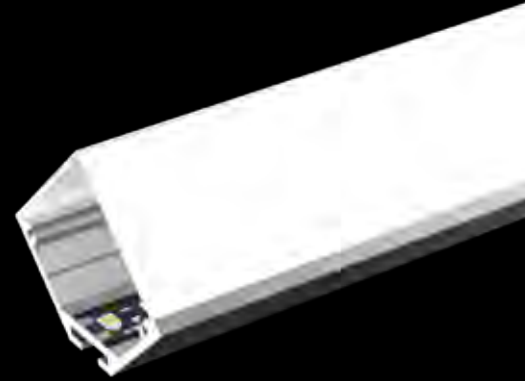


A39133.CLI
Clips inox

ANGEL

Corner profile
Profil d'angle

A3949

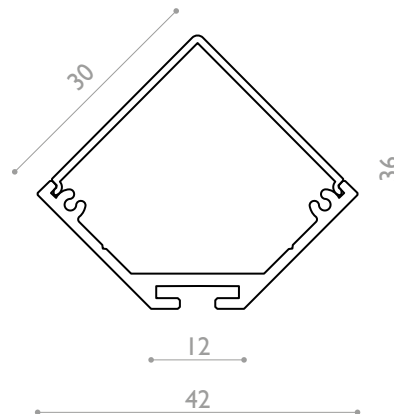


Puissance maxi Power max
35 w/m

Dimensions Dimensions
30 x 33 mm (42 x 36 mm)

Longueur maximale Max.length
3000 mm

Température d'utilisation Ambient temp.
- 10°C / + 40°C



A3949.C9.IP20.00.OP.DALI

Type of led

Pure CRI99	A4199
UltraCR	A4101
Dynamic White	A4102
Regular	A4109
RGB	A4106
RGB+W	A4107
RGB+2W	A4117
High Efficacy	A4111
Ultra Efficacy	A4116
Xicato Artist	A4122

C99
CR
DW
C9
RGB
RGBW
RGB2W
HE
UE
XLT

IP Rating

IP20	IP20
IP54	IP54
IP67	IP67

Finishes

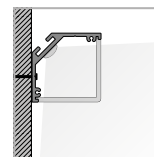
Aluminium anodised silver	00
Aluminium anodised black	04
White ral9016 sat	16

Cover & Optic

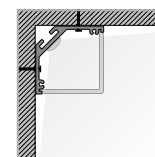
Opal	OP
------	----

Dimming

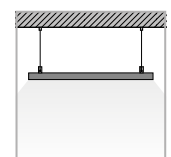
No dimming	HF
Dali	DALI
Dmx	DMX
Dimming & to 10Vdc	D10
Phase Dimming Digital	PHD



A3946.OPL
Diffusor opal



A3946.ECA
Encap

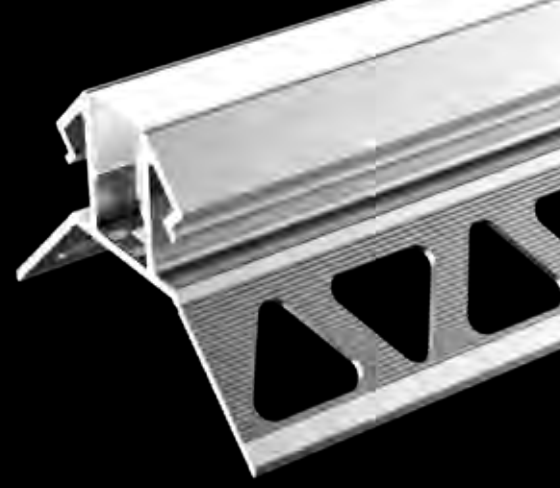


A3946.KSU
Suspension kit

CORNER

Tile corner profile
Profil d'angle

A3927



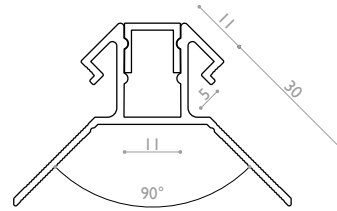
Puissance maxi Power max
26 w/m

Dimensions Dimensions
Voir schémas | See diagramm aside

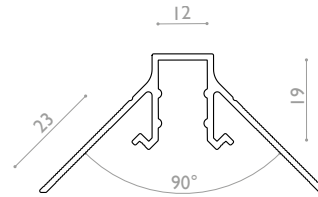
Longueur maximale Max.length
3000 mm

Température d'utilisation Ambient temp.
- 10°C / + 40°C

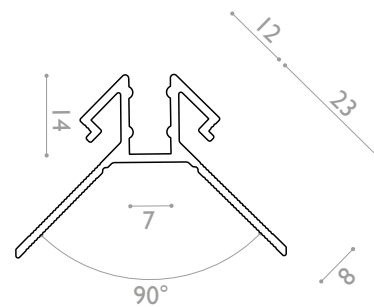
A3927 Corner out 10mm



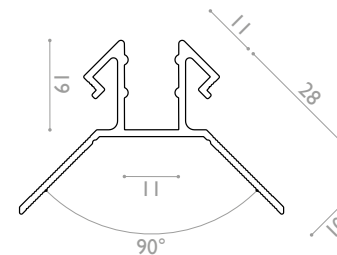
A3928 Corner in 10mm



A3929 Corner out 8mm



A3930 Corner



A3927.C9.IP20.00.OP.DALI

Type of led

Ultra CRI99	A4101
Dynamic White	A4102
Regular	A4109
RGB	A4106
RGB+W	A4107
RGB+2W	A4117
High Efficacy	A4111
Ultra Efficacy	A4116
Xicato Artist	A4122

CR
DW
C9
RGB
RGBW
RGB2W
HE
UE
XLT

IP Rating

IP20	IP20
IP54	IP54
IP67	IP67

Finishes

Aluminium anodised silver	00
Aluminium anodised black	04
White ral9016 sat	16

Cover & Optic

Opal	OP
------	----

Dimming

No dimming	HF
Dali	DALI
Dmx	DMX
Dimming & to 10Vdc	D10
Phase Dimming Digital	PHD

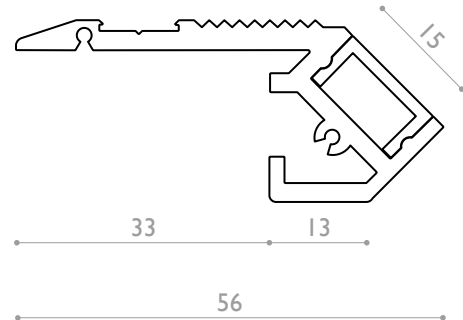
STEP UP & STEP DOWN

Stairway profile with cable duct
 Profil de marche avec conduit de cables

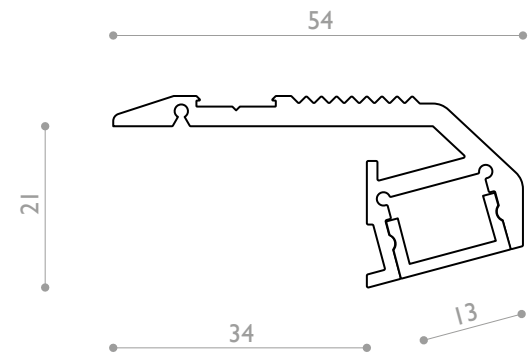
A3977
 A3978



Puissance maxi	Power max
	26 w/m
Dimensions	Dimensions
	56 x 25 mm
Longueur maximale	Max.length
	3000 mm
Température d'utilisation	Ambiant temp.
	- 10°C / + 40°C

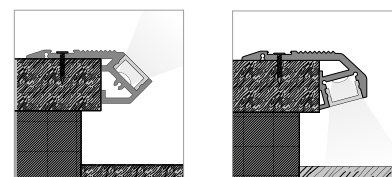


A3977 Step Up



A3978 Step Down

A3977.C9.IP20.00.OP.DALI	
Type of led	
Ultra CRI99	A4101
Dynamic White	A4102
Regular	A4109
RGB	A4106
RGB+W	A4107
RGB+2W	A4117
Xicato Artist	A4122
IP Rating	
IP20	IP20
IP54	IP54
IP67	IP67
Finishes	
Aluminium anodised silver	00
Aluminium anodised black	04
White ral9016 sat	16
Cover & Optic	
Opal	OP
Frost	FR
Dimming	
No dimming	HF
Dali	DALI
Dmx	DMX
Dimming & to 10Vdc	D10
Phase Dimming Digital	PHD



FONDO

Floor profile
Profil de sol

A3942

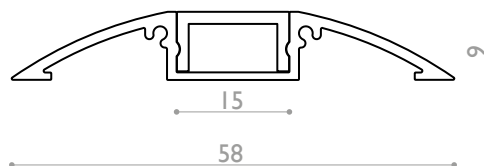


Puissance maxi **Power max**
25 w/m

Dimensions **Dimensions**
58 x 9 mm

Longueur maximale **Max.length**
3000 mm

Température d'utilisation **Ambiant temp.**
- 10°C / + 40°C



A3942.C9.IP20.00.OP.DALI

Type of led

Ultra CRI99	A4101
Dynamic White	A4102
Regular	A4109
RGB	A4106
RGB+W	A4107
RGB+2W	A4117
High Efficacy	A4111
Xicato Artist	A4122

CR
DW
C9
RGB
RGBW
RGB2W
HE
XLT

IP Rating

IP20
IP54
IP67

IP20
IP54
IP67

Finishes

Aluminium anodised silver
Aluminium anodised black
White ral9016 sat

00
04
16

Cover & Optic

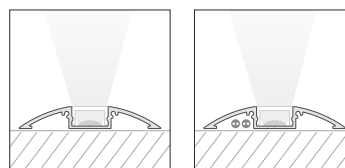
Opal
Frost

OP
FR

Dimming

No dimming
Dali
Dmx
Dimming & to 10Vdc
Phase Dimming Digital

HF
DALI
DMX
D10
PHD



ORION

Opal profile
Profil opal

A39165

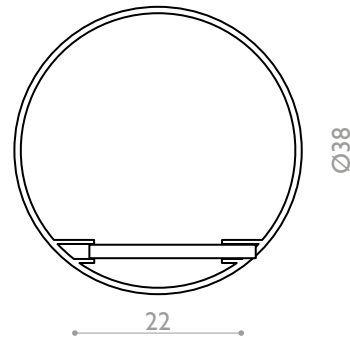


Puissance maxi Power max
24 w/m

Dimensions Dimensions
D38 mm

Longueur maximale Max.length
3000 mm

Température d'utilisation Ambient temp.
- 10°C / + 40°C



A39165.C9.IP20.OP.DALI

Type of led

Pure CRI99	A4199
UltraCRI	A4101
Dynamic White	A4102
Regular	A4109
RGB	A4106
RGB+W	A4107
RGB+2W	A4117
High Efficacy	A4111
Xicato Artist	A4122

C99
CR
DW
C9
RGB
RGBW
RGB2W
HE
XLT

IP Rating

IP20
IP54
IP67

IP20
IP54
IP67

Cover & Optic

Opal

OP

Dimming

No dimming
Dali
Dmx
Dimming & to 10Vdc
Phase Dimming Digital

HF
DALI
DMX
D10
PHD



A39165.KSU
Suspension



A39165.CLIP
Clips

ODIN

Opal profile
Profil opal

A39172

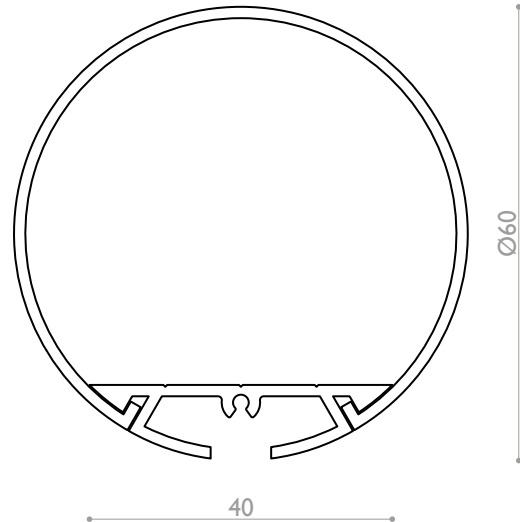


Puissance maxi **Power max**
32 w/m

Dimensions **Dimensions**
D60 mm

Longueur maximale **Max.length**
3000 mm

Température d'utilisation **Ambiant temp.**
- 10°C / + 40°C



A39172.C9.IP20.OP.DALI

Type of led

Pure CRI99	A4199
UltraCRI	A4101
Dynamic White	A4102
Regular	A4109
RGB	A4106
RGB+W	A4107
RGB+2W	A4117
High Efficacy	A4111
Xicato Artist	A4122

C99
CR
DW
C9
RGB
RGBW
RGB2W
HE
XLT

IP Rating

IP20
IP54
IP67

IP20
IP54
IP67

Cover & Optic

Opal

OP

Dimming

No dimming
Dali
Dmx
Dimming & to 10Vdc
Phase Dimming Digital

HF
DALI
DMX
D10
PHD



A39172.00



A39172.OPL



A39172.ECP
End cap plastic



A39172.KSU
Kit suspension

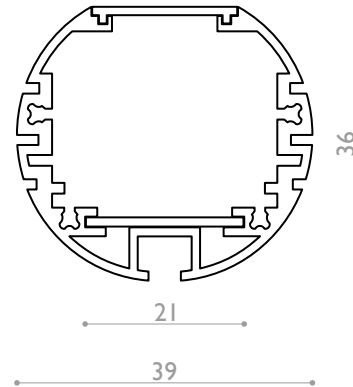
OLYMPE XL

Round profile with IP65 diffuser
Profil cylindrique avec diffuseur IP65

A39163



Puissance maxi	Power max
	40 w/m
Dimensions	Dimensions
	D39 mm
Longueur maximale	Max.length
	3000 mm
Température d'utilisation	Ambiant temp.
	- 10°C / + 40°C



A39163.C9.IP20.00.OP.DALI

Type of led

Pure CR199	A4199
UltraCRI	A4101
Dynamic White	A4102
Regular	A4109
RGB	A4106
RGB+W	A4107
RGB+2W	A4117
High Efficacy	A4111
Ultra Efficacy	A4116
Xicato Artist	A4122

C99
CR
DW
C9
RGB
RGBW
RGB2W
HE
UE
XLT

IP Rating

IP20
IP54
IP67

IP20
IP54
IP67

Finishes

Aluminium anodised silver	00
Aluminium anodised black	04
White ral9016 sat	16

00
04
16

Cover & Optic

Opal
Frost

OP
FR

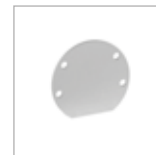
Dimming

No dimming
Dali
Dmx
Dimming & to 10Vdc
Phase Dimming Digital

HF
DALI
DMX
D10
PHD



A39163.00



A39163.ECA



A39163.KSC



A39163.KSU

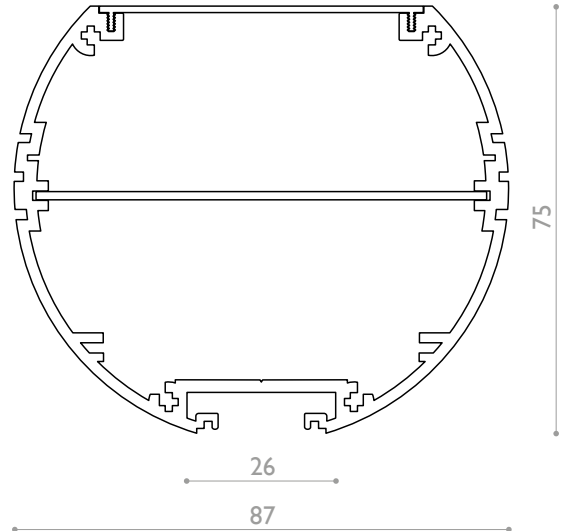
OSCAR

Round profile with IP65 diffuser
Profil cylindrique avec diffuseur IP65

A39174



Puissance maxi	Power max
	40 w/m
Dimensions	DimensionsD
	D 87 mm
Longueur maximale	Max.length
	3000 mm
Température d'utilisation	Ambiant temp.



A39174.C9.IP20.00.OP.DALI

Type of led

Pure CRI99	A4199
UltraCRI	A4101
Dynamic White	A4102
Regular	A4109
RGB	A4106
RGB+W	A4107
RGB+2W	A4117
High Efficacy	A4111
Ultra Efficacy	A4116
Xicato Artist	A4122

C99
CR
DW
C9
RGB
RGBW
RGB2W
HE
UE
XLT

IP Rating

IP20
IP54
IP67

IP20
IP54
IP67

Finishes

Aluminium anodised silver
Aluminium anodised black
White ral9016 sat

00
04
16

Cover & Optic

Opal
Prismatic UGR<19

OP
PR

Dimming

No dimming
Dali
Dmx
Dimming & to 10Vdc
Phase Dimming Digital

HF
DALI
DMX
D10
PHD



A39174.KC07



A39174.KC08



GARDA

Profile for wall & pendant
 Profil pour applique ou plafond

A3923

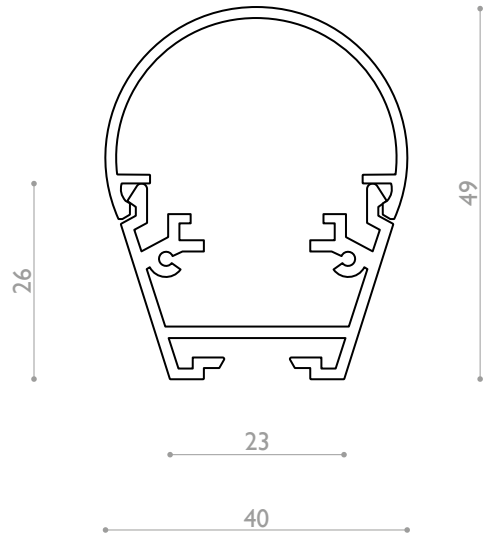


Puissance maxi Power max
 40 w/m

Dimensions Dimensions
 40 x 49 mm

Longueur maximale Max.length
 3000 mm

Température d'utilisation Ambient temp.
 - 10°C / + 40°C



A3923.C9.IP20.00.OP.DALI

Type of led

Pure CRI99	A4199
UltraCRI	A4101
Dynamic White	A4102
Regular	A4109
RGB	A4106
RGB+W	A4107
RGB+2W	A4117
High Efficacy	A4111
Ultra Efficacy	A4116
Xicato Artist	A4122

C99
CR
DW
C9
RGB
RGBW
RGB2W
HE
UE
XLT

IP Rating

IP20
IP54
IP67

IP20
IP54
IP67

Finishes

Aluminium anodised silver
Aluminium anodised black
White ral9016 sat

00
04
16

Cover & Optic

Opal

OP

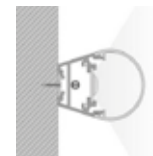
Dimming

No dimming
Dali
Dmx
Dimming & to 10Vdc
Phase Dimming Digital

HF
DALI
DMX
D10
PHD



A3923.CLA
 Clips (x2)
 metallic grey





ATEA

ATEA Paris (Headquarter)

E. sales@atea.fr

T. +33 (0)1 41 36 07 70

138 avenue Aristide Briand
92220 Bagneux - France

www.atea.fr

ATEA London

E. uk@atea.fr

T. +44 7365 775693

ATEA Lyon

E. lyon@atea.fr

T. +3 684 178 622

ATEA Luxembourg

E. luxembourg@atea.fr

T. +352 4415441