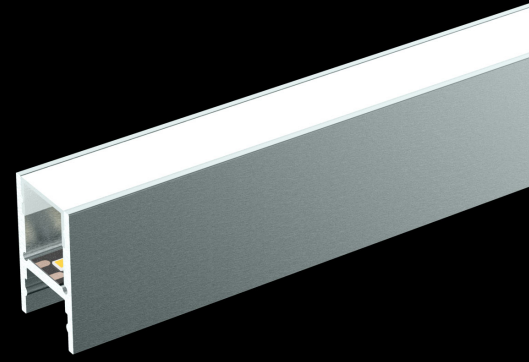


COBE H

Profile with optic
Profil aluminium avec optique

A3962

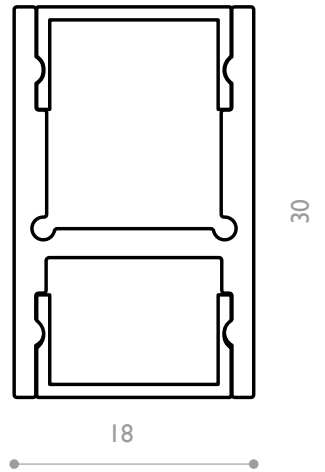


Puissance maxi **Power max**
33 w/m

Dimensions **Dimensions**
30 x 18 mm

Longueur maximale **Max.length**
3000 mm

Température d'utilisation **Ambiant temp.**
- 10°C / + 40°C



A3962.C9.IP20.00.OP.DALI

Type of led

Pure CRI99	A4199	C99
UltraCRI	A4101	CR
Dynamic White	A4102	DW
Regular	A4109	C9
RGB	A4106	RGB
RGB+W	A4107	RGBW
RGB+2W	A4117	RGB2W
Ultra Efficiency 90	A4190	UE90
Ultra Efficiency 96	A4196	UE96

IP Rating

IP20	IP20
IP54	IP54
IP65H	IP65
IP65R Resin	IP65R

Finishes

Aluminium anodised silver	00
Aluminium anodised black	04
Painting RAL	RAL

Cover & Optic

Opal	OP
Frost	FR
Frost 30°	F30
Aluminium	AL

Dimming

No dimming	HF
Dali	DALI
Dmx	DMX
Dimming 0-10V	D10
Phase Dimming Digital	PHD



A3962.04



A3962.SUS -
Clips Inox