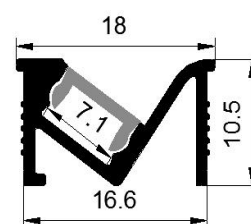
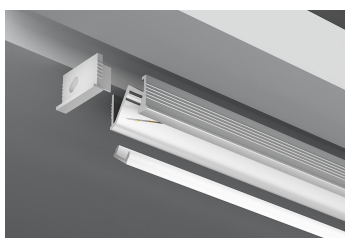


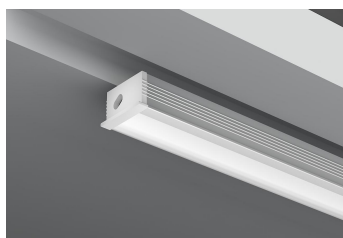
## Installation Notice ASTRI A3993 CABINET LIGHTING



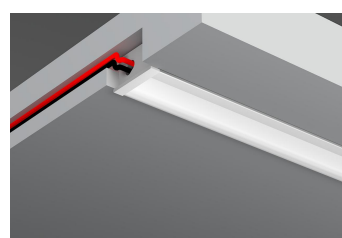
### Installation steps



Step 1: Fix the lamp body and turn on the power

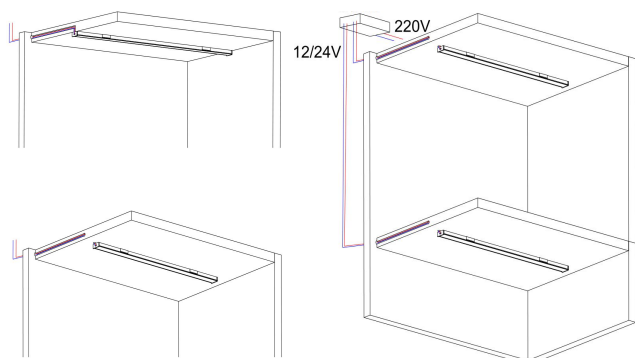


Step 2: Glue and fix the lamp body



Step 3: connect the driver, turn on the power

### Wiring reference diagram



### Final effect

